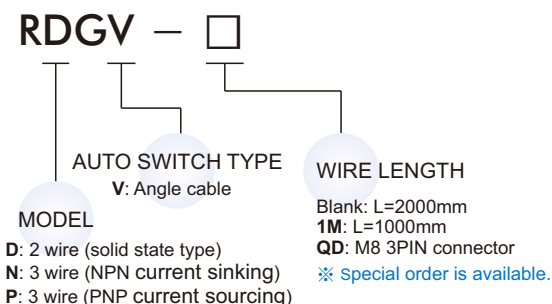


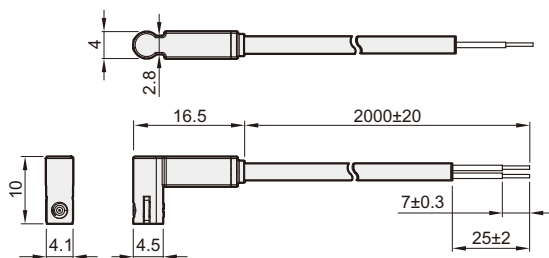


### Order example

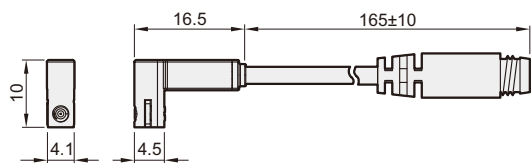


### Dimension

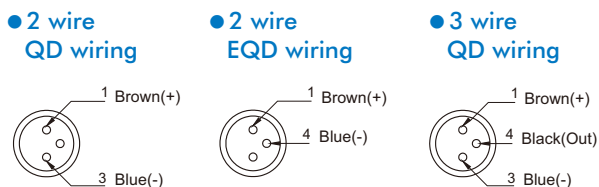
#### RDGV / RNGV / RPGV



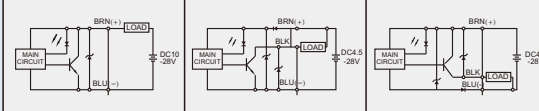
#### RDGV-QD / RNGV-QD / RPGV-QD



### Wiring of the QD



### Specification

Model	RDGV	RNGV	RPGV
Wiring method	2 wire	3 wire	
Switching logic	Solid state output, Normally open		
Switch type	—	NPN current sinking	PNP current sourcing
Operating voltage	10~28V DC	4.5~28V DC	
Switching current	4~20mA max.	50mA max.	
Contact rating (※1)	0.6W max.	1.5W max.	
Current consumption	—	10mA @24V DCmax.	
Voltage drop	3.5V max.	0.5V @ 50mA max.	
Leakage current	0.8mA max.	0.01mA max.	
Indicator	Red LED		
Cable	φ 2.6, 2C, PVC	φ 2.6, 3C, PVC	
Temperature range	- 10°C ~ + 70°C (No freezing)		
Shock (※2)	50G		
Vibration (※3)	9G		
Enclosure classification	IEC 60529 IP67		
Protection circuit (※4)	4	3, 4	
Weight	23 g (2m cable)		
Connect diagram			

※1. Warning: Never exceed rating (watt=voltage × amperage). Permanent damage to sensor will occur.

※2. Sin wave / X.Y.Z. 3 Directions / 3 Times each direction / 11ms each time.

※3. Double amplitude 1.5mm / 10Hz~55Hz~10Hz(Sweep 1min) / X.Y.Z. 3 Directions / 1 Hour each time.

※4. 1=None / 2=Short-circuit / 3=Power source reverse polarity / 4=Surge suppression

※5. Caution for safety please refer to page 10-3~4.

### Assembling style

Cylinder type	MCJU, MCFB, MCMJP, MCGS, MCDJ
Mounting clamp	