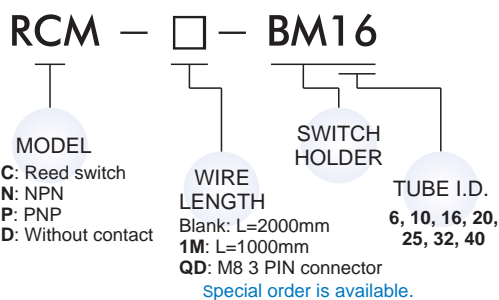
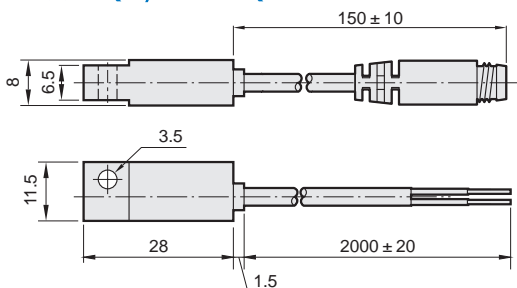


Order example

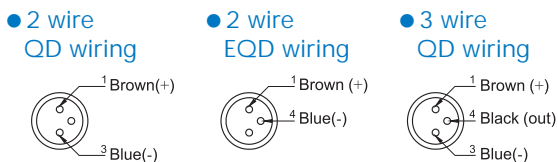


Dimensions

RCM/RDM/RNM/RPM
RCM-QD/RDM-QD/
RNM-QD/RPM-QD



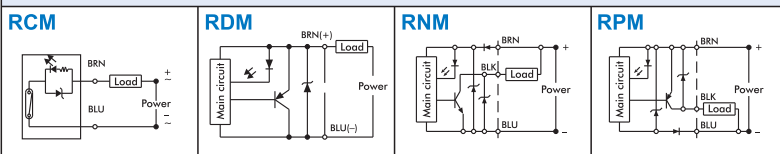
Wiring of the QD



Specification

Model	RCM	RDM	RNM	RPM
Wiring method	2 wire		3 wire	
Switching logic	SPST N.O.	Solid state output, normally open		
Switch Type	Reed switch	Without contact	NPN current sinking	PNP current sourcing
Operating voltage	5~240V DC/AC	5~30V DC	5~28V DC	
Switching current	100mA max.	50mA max.		
Switching rating (1)	10W max.	1.5W max.		
Current consumption	—		10 mA@24V DC max.	
Voltage drop	3.5V max.	3.7V max.	1.5V max.	
Leakage current	—	0.1mA max.	0.01mA max.	
Indicator	Red LED			Green LED
Cable	3.3, 2C, PVC		3.3, 3C, PVC	
Temperature range	- 10~ + 70 (No freezing)			
Shock (2)	30G	50G		
Vibration (3)	9G			
Enclosure classification	IEC 60529 IP67			
Protection circuit (4)	1	3,4		
Weight	33 g (2m cable)			

Connect diagram



- Warning: Never exceed rating (watt=voltage x amperage). Permanent damage to sensor will occur.
- Sin wave / X.Y.Z. 3 directions / 3 times each direction / 11ms each time.
- Double amplitude 1.5mm / 10Hz~55Hz~10Hz(Sweep 1min) / X.Y.Z. 3 directions / 1 hour each time.
- 1=None / 2=Short-circuit / 3=Power source reverse polarity / 4=Surge suppression.
- Caution for safety please refer to page 10-3-4.

Assembling style

Picture	Mounting clamps	Model		MCMA	MCMB	MCKMB	MCMBL	MCMBR*	MCM1	MCBMI	MCMJ	
		Order	Tube I.D.									
	Band	BM6	6								●	
		BM10	10								●	
		BM16	16	●					●			●
		BM20	20	●	●			●	●	●		
		BM25	25	●	●	●		●	●	●		
		BM32	32	●	●	●		●	●	●		
		BM40	40	●	●	●	●	●	●	●		