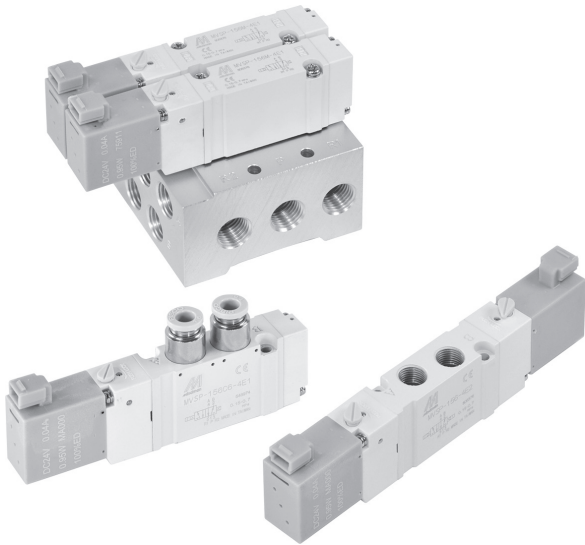


# MVSP-156 series

## SOLENOID VALVE



mindman

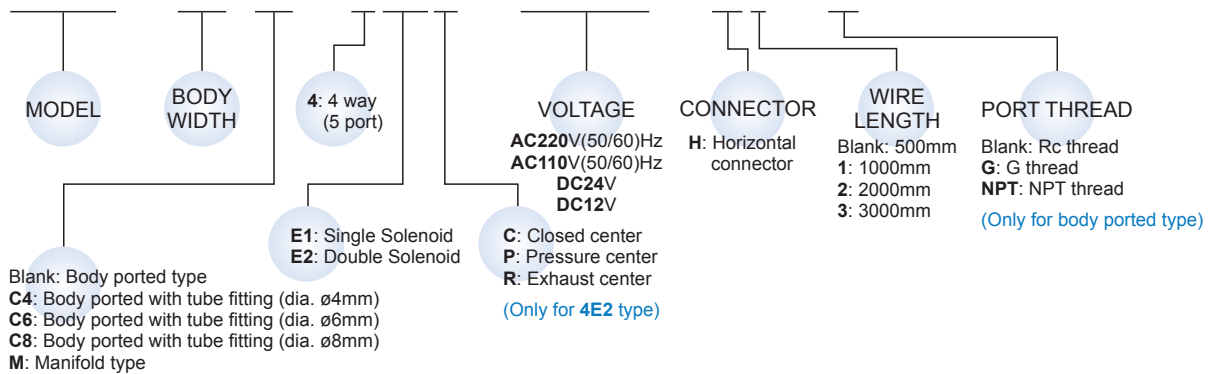


### Specification

Model	4E1	4E2	4E2 C.P.R
Port size	Rc1/8		
No. of port / position	5/2		5/3
Medium	Air		
Operating pressure range	0.15~0.7 MPa		0.2~0.7 MPa
Proof pressure	1 MPa		
Effective orifice	Body ported	11 mm <sup>2</sup>	9.5/14.6/9.5 mm <sup>2</sup>
	Manifold	10 mm <sup>2</sup>	7.5/13/8 mm <sup>2</sup>
Response time	30 ms		
Ambient temperature	-5~+50°C (No freezing)		
Voltage	AC110V, 220V (50/60)Hz, DC24/12V		
Power consumption	AC=5VA, 5.5VA (220V), DC=0.95W		
Available voltage range	±10%		
Insulation class	F class		
Weight	83 g	118 g	127 g

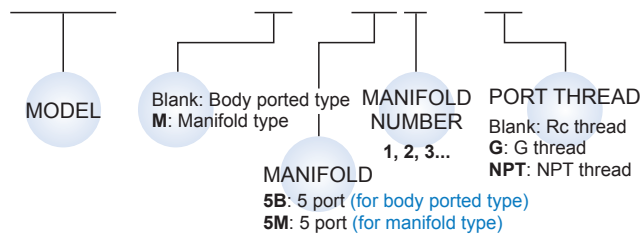
### Order example of valve

**MVSP – 156M – 4E2C – AC110 – H1 – G**



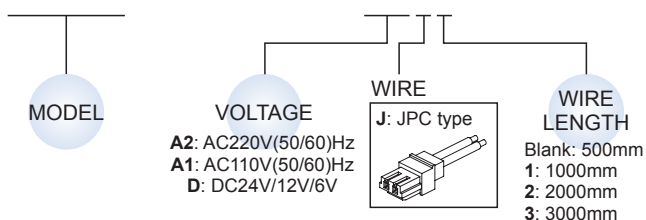
### Order example of manifold \* Use the same manifold with MVSY.

**MVSY – 156M – 5B3 – G**



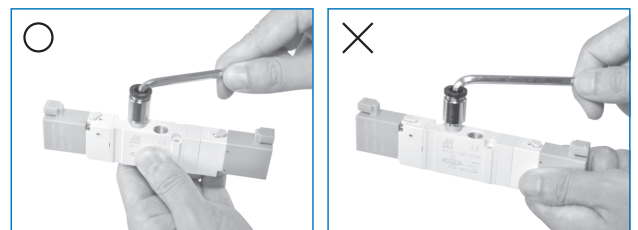
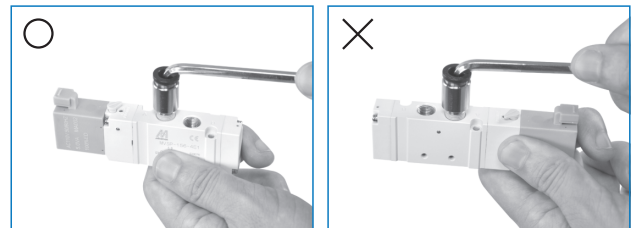
### Order example of wire \* Use the same wire with MVDY.

**MVDY – 100 – WA2J2**



### Caution

Prohibit apply force to coil when tighten the tube fitting.

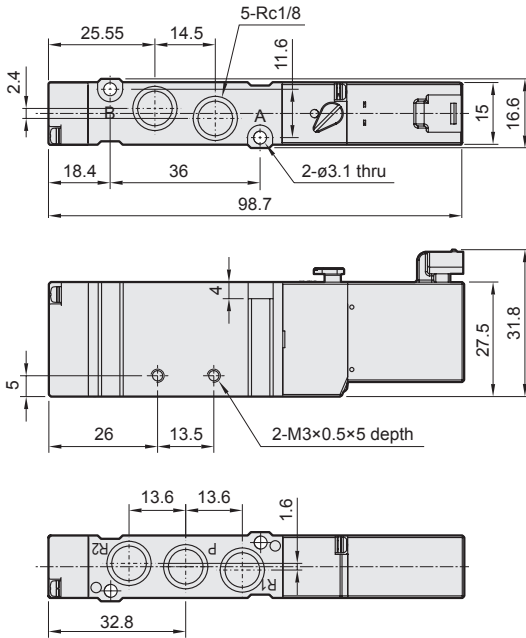
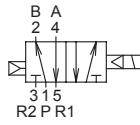


# MVSP-156 Dimensions

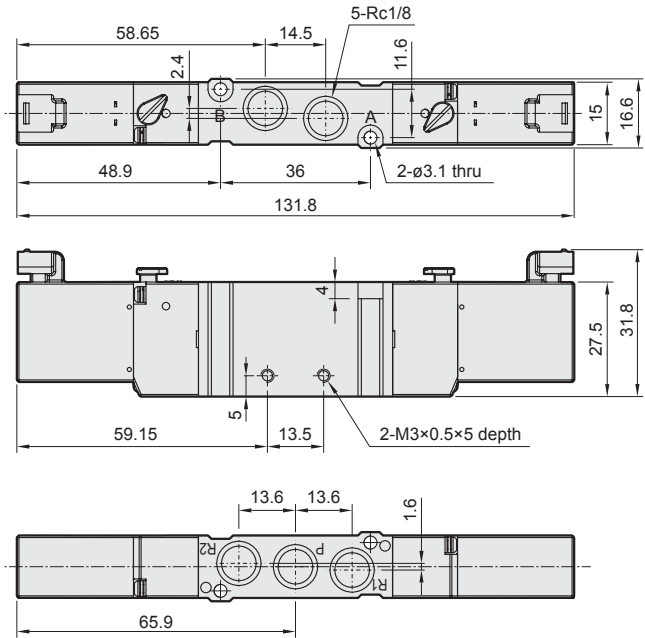
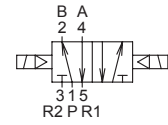
## SOLENOID VALVE



**MVSP-156-4E1**



**MVSP-156-4E2**

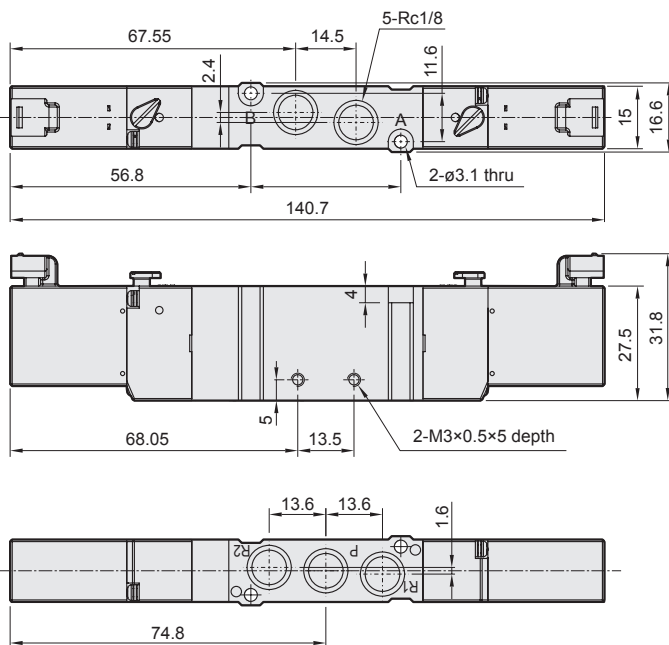
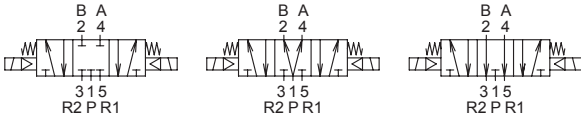


**MVSP-156-4E2C.P.R**

**MVSP-156-4E2C**

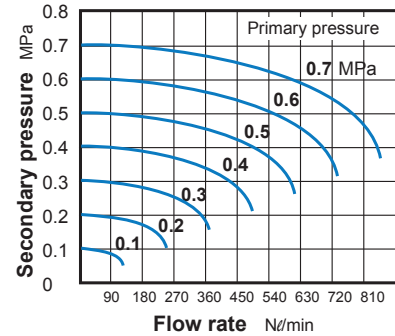
**MVSP-156-4E2P**

**MVSP-156-4E2R**

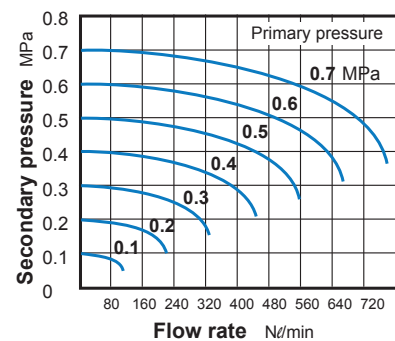


## Flow features

**MVSP-156-4E1/4E2**



**MVSP-156M-4E1/4E2**



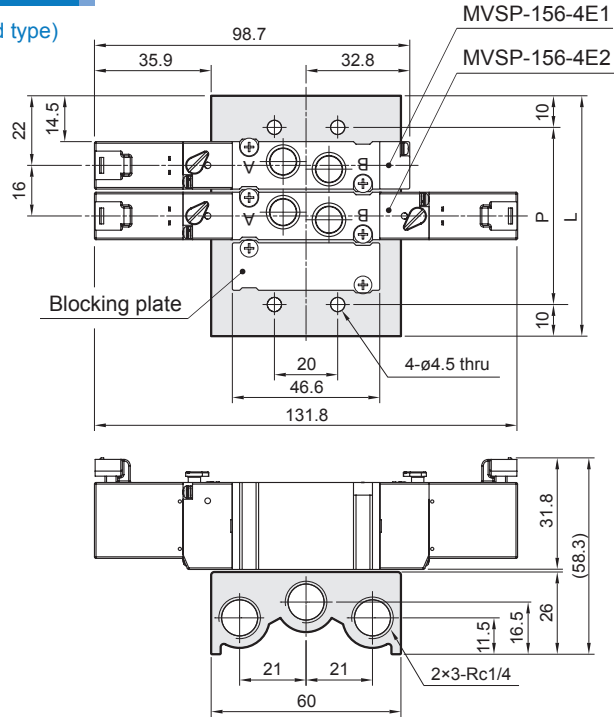
# MVSP-156 Manifold

## SOLENOID VALVE



### MVSY-156-5B\*

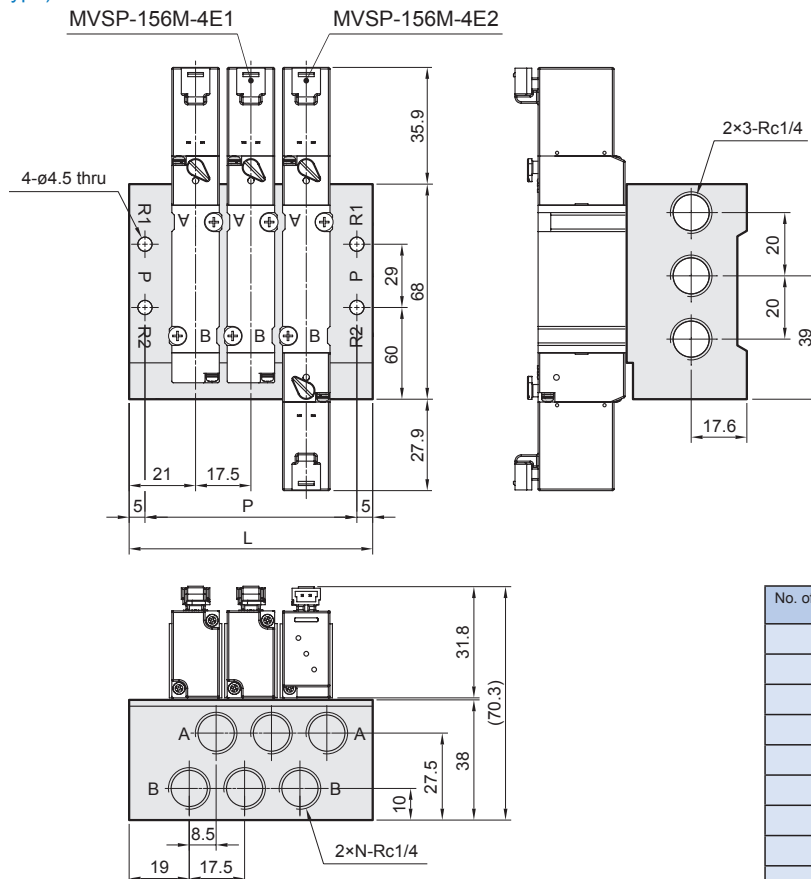
5 port (for body ported type)



No. of stations	P	L
2	40	60
3	56	76
4	72	92
5	88	108
6	104	124
7	120	140
8	136	156
9	152	172
10	168	188

### MVSY-156M-5M\*

5 port (for manifold type)



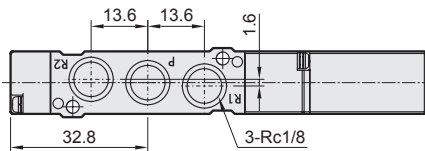
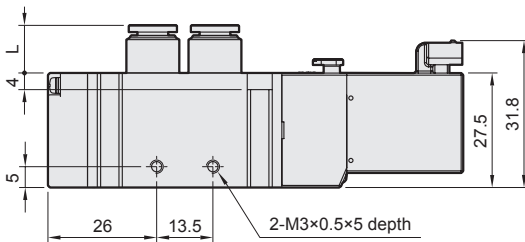
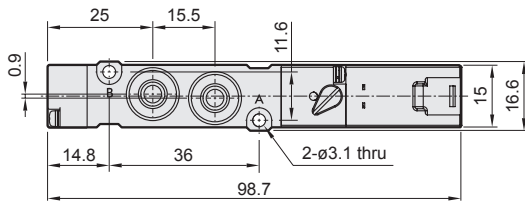
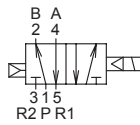
No. of stations (N)	P	L
2	49.5	59.5
3	67	77
4	84.5	94.5
5	102	112
6	119.5	129.5
7	137	147
8	154.5	164.5
9	172	182
10	189.5	199.5

# MVSP-156 Dimensions

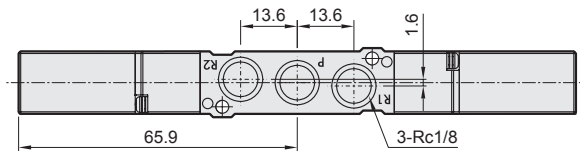
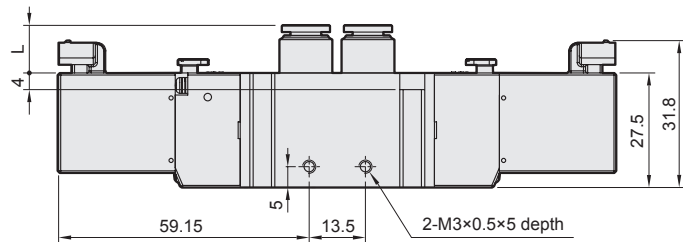
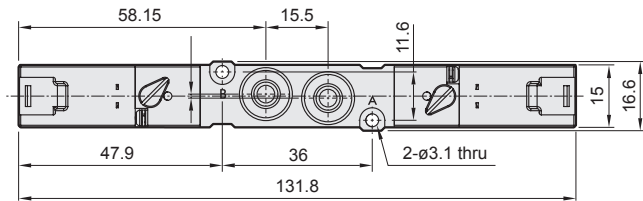
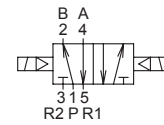
## SOLENOID VALVE



### MVSP-156C\*-4E1



### MVSP-156C\*-4E2

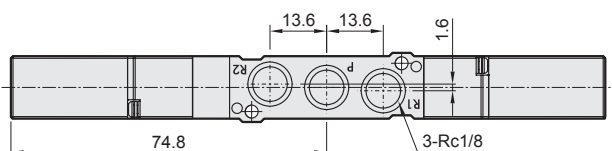
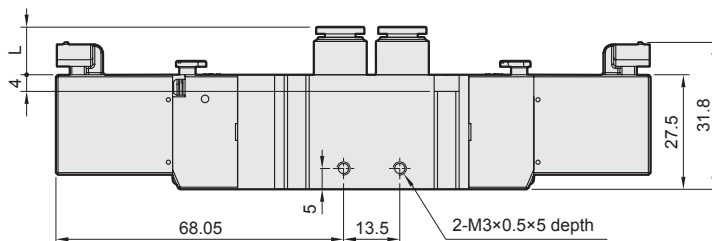
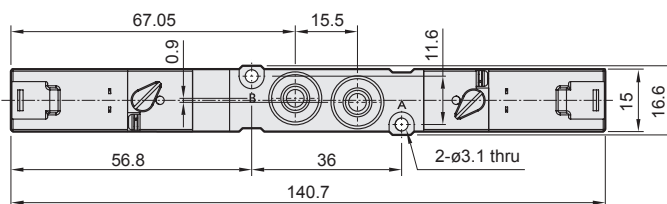
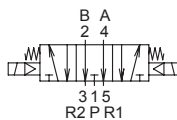
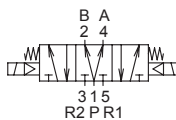
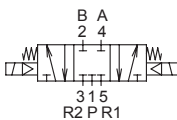


### MVSP-156C\*-4E2C.P.R

#### MVSP-156-4E2C

#### MVSP-156-4E2P

#### MVSP-156-4E2R



Code Port size	L
C4	13
C6	14
C8	18.5

# MVSP-156 Mounting bracket & Spacer assembly

SOLENOID VALVE



mindman

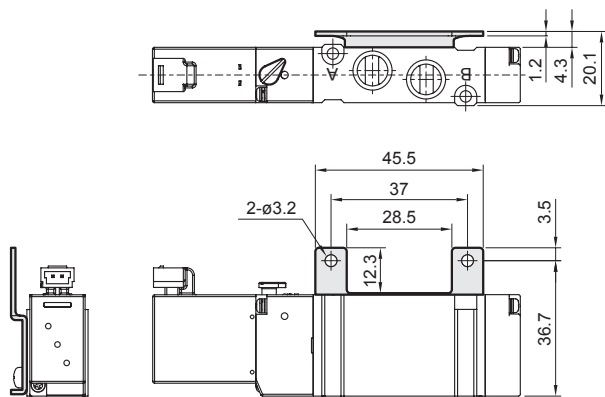
## Order example of bracket

\* Use the same bracket with MVSYS.

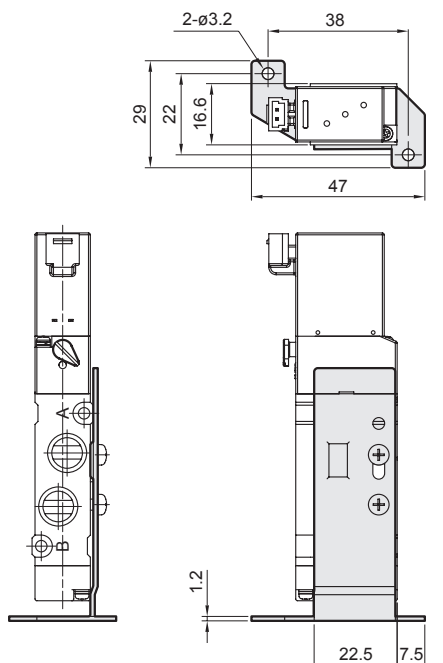
MVSYS – 156 – 1A



MVSYS-156-1A



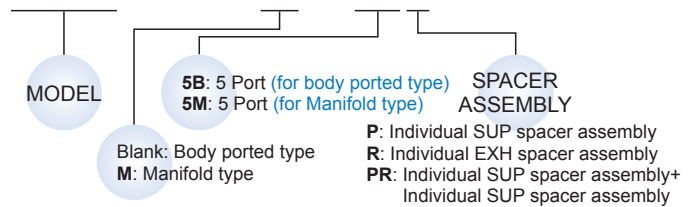
MVSYS-156-2A



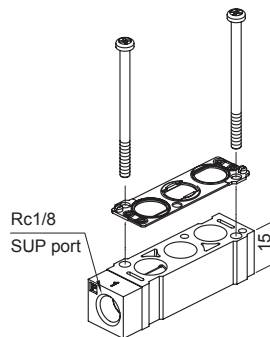
## Order example of spacer assembly

\* Use the same spacer assembly with MVSYS.

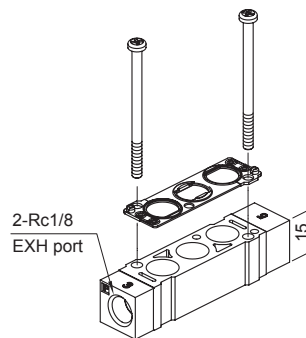
MVSYS – 156M – 5BP



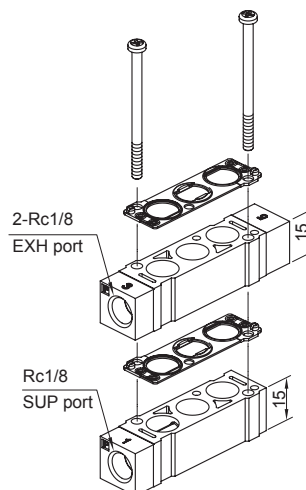
MVSYS-156-5BP



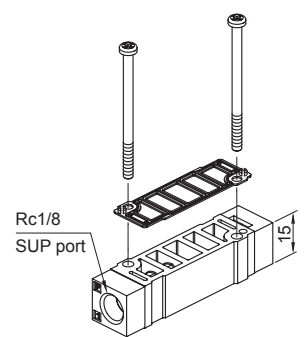
MVSYS-156-5BR



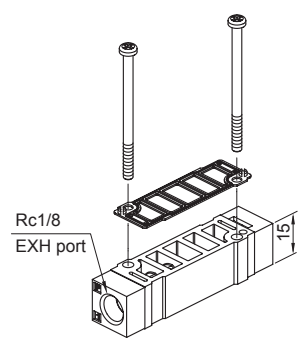
MVSYS-156-5BPR



MVSYS-156M-5MP



MVSYS-156M-5MR



MVSYS-156M-5MPR

