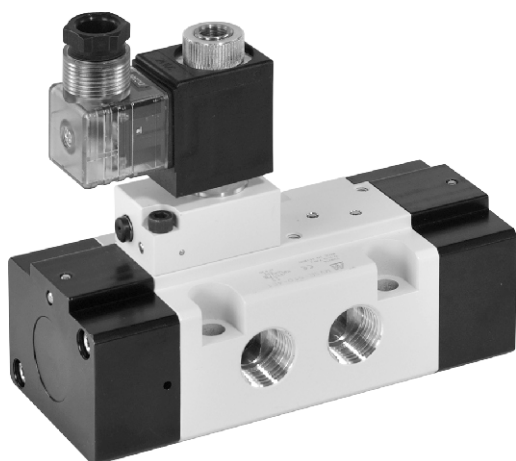


MVSE-510 series

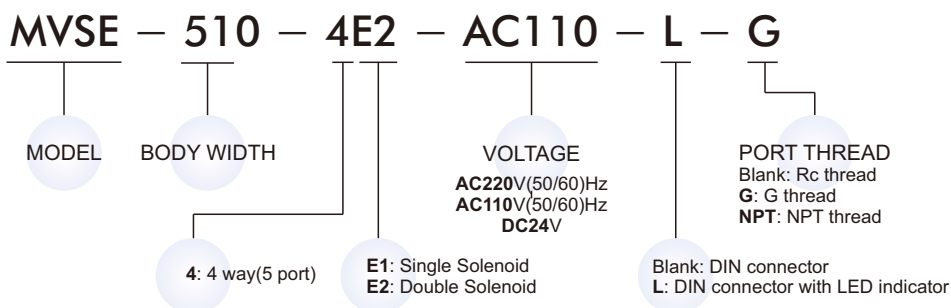
SOLENOID VALVE



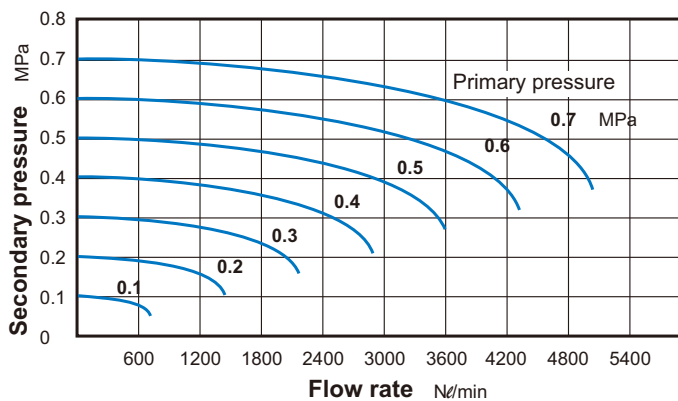
Specification

Model	4E1	4E2
Bore No.	15A	
Port size	Rc1/2	
No. of port	5	
No. of position	2	
Medium	Air	
Operating pressure range	0.2~0.7 MPa	
Proof pressure	1 MPa	
Effective orifice	65 mm ²	
Response time	60 ms	
Ambient temperature	- 5~ + 50°C (No freezing)	
Voltage	AC110V, AC220V (50/60)Hz, DC24V	
Power consumption	AC=13/11VA, DC=10W	
Available voltage range	± 10%	
Insulation class	H class	
Weight	1523 g	1808 g

Order example of valve



Flow features



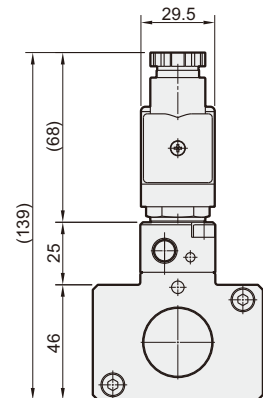
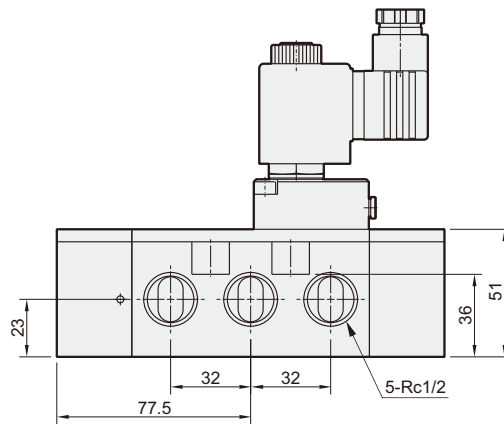
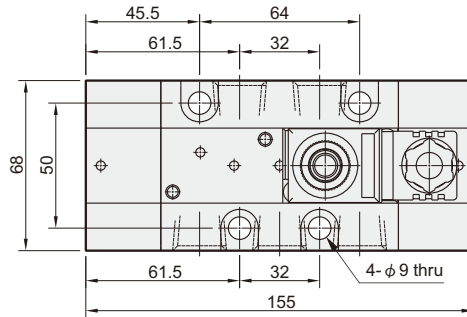
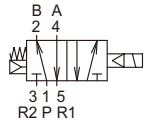
MVSE-510 Dimensions

SOLENOID VALVE



Mindman

MVSE-510-4E1



MVSE-510-4E2

