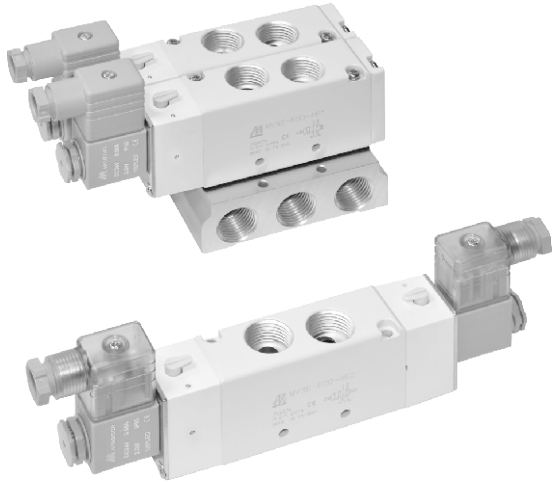


MVSE-500 series

SOLENOID VALVE



Mindman



Specification

Model	4E1	4E2
Bore No.	15A	
Port size	Rc1/2	
No. of port	5	
No. of position	2	
Medium	Air	
Operating pressure range	0.2~1.2 MPa	
Proof pressure	1.5 MPa	
Effective orifice	41 mm ²	
Response time	50 ms	
Ambient temperature	-5~+50°C (No freezing)	
Voltage	AC110V, AC220V (50/60)Hz, DC24V	
Power consumption	AC=6/4.9VA, DC=2.5W	
Available voltage range	±10%	
Insulation class	F class	
Weight	453 g	554 g

Order example of valve

MVSE — 500 — 4E2 — AC110 — L — G

MODEL

BODY WIDTH

VOLTAGE

AC220V(50/60)Hz
AC110V(50/60)Hz
DC24V

Blank: DIN connector
L: DIN connector with LED indicator
E: Explosion protection (Table 1)
(E type use black coil)

PORT THREAD
Blank: Rc thread
G: G thread
NPT: NPT thread

4: 4 way(5 port)

E1: Single Solenoid
E2: Double Solenoid

Table 1

Property for explosion-proof type

Anti-explosion class	EEx m II T4
Voltage	AC110V. 220V.(50/60)Hz. DC24V.
Power consumption	AC=4.4VA, DC=5W
Available Voltage range	±10%
Insulation class	F class

Order example of manifold

MVSE — 500 — 5B3 — G

MODEL

PORT THREAD
Blank: Rc thread
G: G thread
NPT: NPT thread

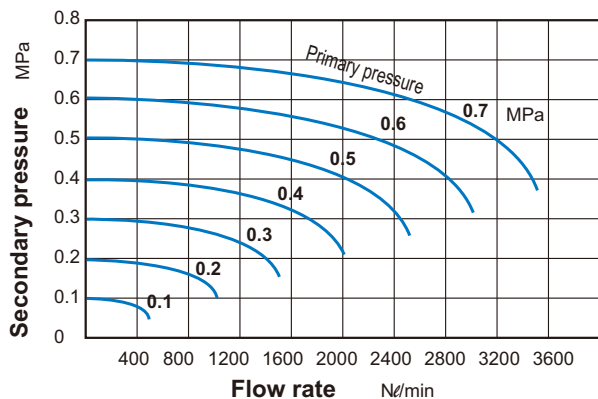
MANIFOLD

MANIFOLD NUMBER

5B: 5 port (for body ported type)

1, 2, 3...

Flow features

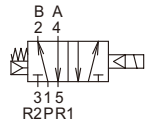


MVSE-500 Dimensions

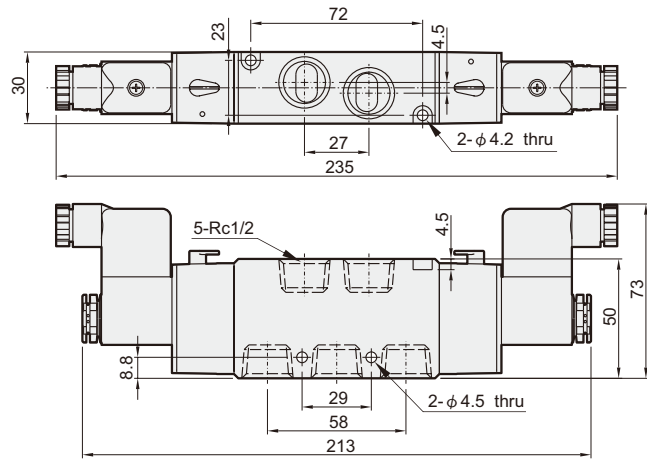
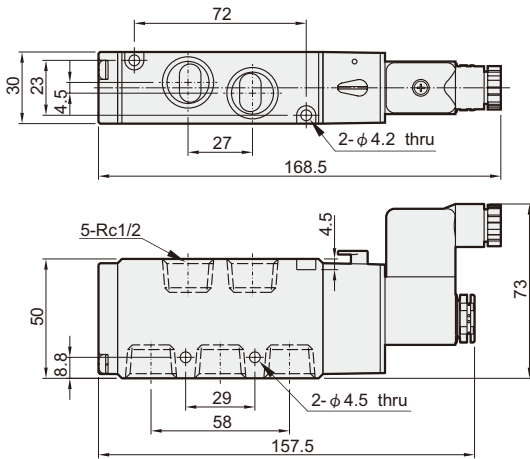
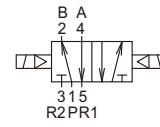
SOLENOID VALVE



MVSE-500-4E1



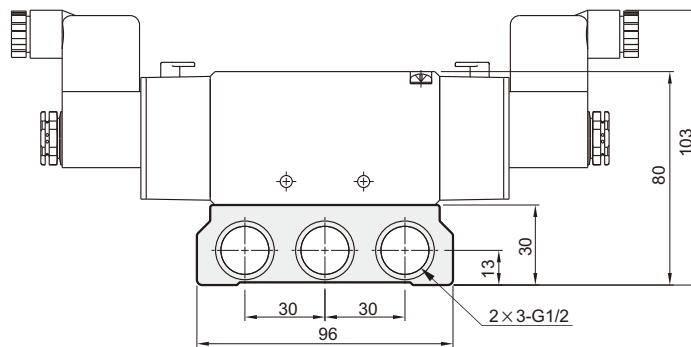
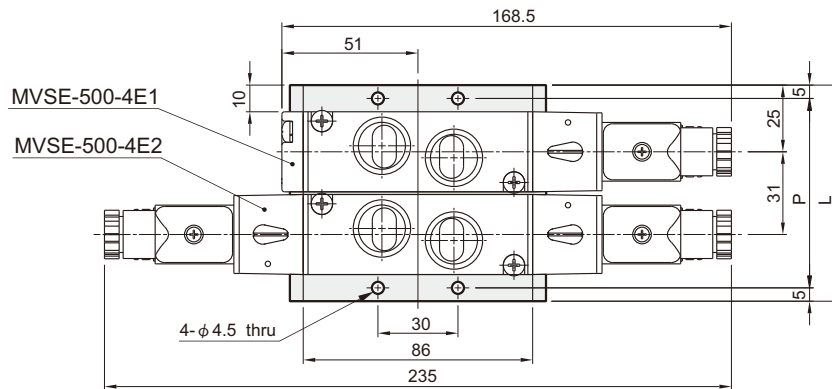
MVSE-500-4E2



Manifold of solenoid valve

MVSE-500-5B*

5 port (for body ported type)



No. of stations	P	L
2	71	81
3	102	112
4	133	143
5	164	174
6	195	205
7	226	236
8	257	267
9	288	298
10	319	329