

### Features

- This unit makes it possible to achieve increased piston speeds on the exhaust stroke with single acting and double acting cylinders.

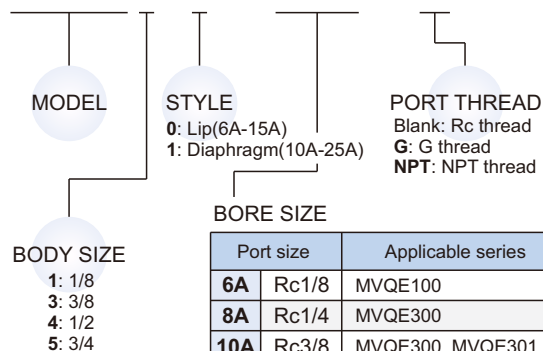
### Specification

Model	MVQE
Medium	Air
Operating pressure range	0.1~1 MPa
Proof pressure	1.5 MPa
Ambient temperature	-5~+60℃ (No freezing)

Model	Port size	Effective orifice(mm <sup>2</sup> )		Weight
		IN→OUT	OUT→EXH	
MVQE100-6A	Rc1/8	9	19	40 g
MVQE300-8A	Rc1/4	24	31	100 g
MVQE300-10A	Rc3/8	25	33	80 g
MVQE301-10A	Rc3/8	60	70	230 g
MVQE301-15A	Rc1/2	110	110	212 g
MVQE400-15A	Rc1/2	46	46	240 g
MVQE501-20A	Rc3/4	135	180	765 g
MVQE501-25A	Rc1	176	187	695 g

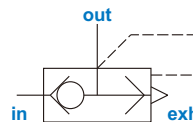
### Order example

**MVQE300 - 10A - G**

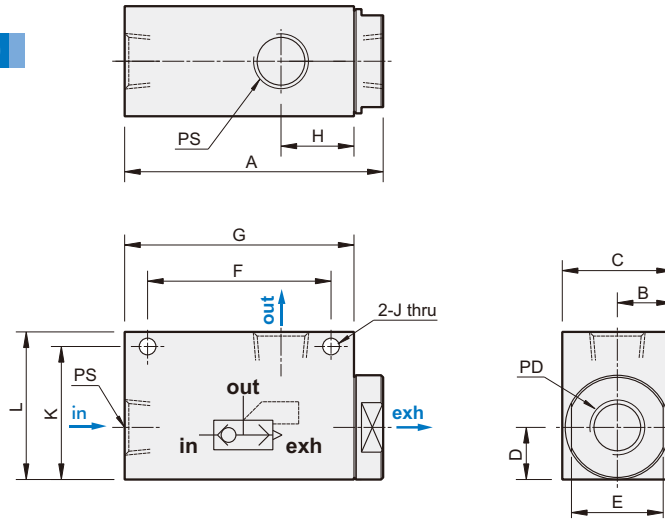


Port size		Applicable series
6A	Rc1/8	MVQE100
8A	Rc1/4	MVQE300
10A	Rc3/8	MVQE300, MVQE301
15A	Rc1/2	MVQE301, MVQE400
20A	Rc3/4	MVQE501
25A	Rc1	

### Symbol

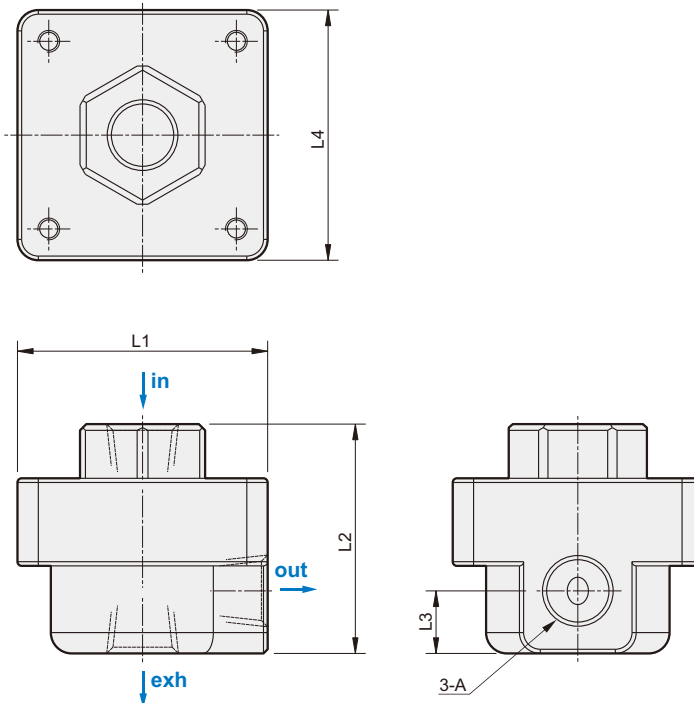


### MVQE100/300/400



Code Model	A	B	C	D	E	F	G	H	J	K	L	PS	PD	
MVQE100	6A	40	8.25	16.5	9	14	26	35	12	φ 3.4	22.6	26	Rc1/8	Rc1/8
MVQE300	8A	62	13.2	26.4	13	22	45	55	17.5	φ 4	29.5	35.4	Rc1/4	Rc3/8
	10A	62	13.2	26.4	13	22	45	55	17.5	φ 4	29.5	35.4	Rc3/8	Rc3/8
MVQE400	15A	69	20	40	20	36	51	62	20	φ 4	46	52	Rc1/2	Rc1/2

### MVQE301/501



Code Model	A	L1	L2	L3	L4	
MVQE301	10A	Rc3/8	60	55	15	60
	15A	Rc1/2	60	55	15	60
MVQE501	20A	Rc3/4	90	82.5	23	90
	25A	Rc1	90	82.5	23	90