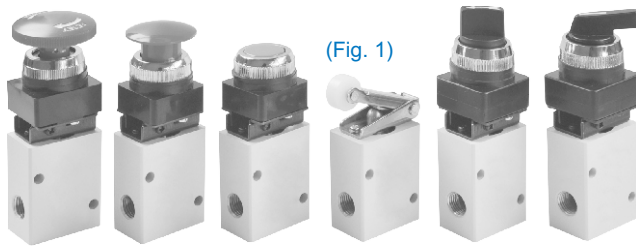


# MVMB-250 series

MECHANICAL VALVE



## Specification

Model	MVMB-250
Bore No.	8A
Port size	Rc1/4
No. of port	2 or 3
No. of position	2
Medium	Air
Operating pressure range	0~1 MPa
Proof pressure	1 MPa
Effective orifice	18 mm <sup>2</sup>
Ambient temperature	-5~+60°C (No freezing)
Weight	193 g

Actuator-holder (Fig. 2)

- Type  $\phi 22$  only show body and actuator-holder in (Fig. 2).
- Type  $\phi 25$ ,  $\phi 30$  fix bracket in (Fig. 1).
- Type  $\phi 22$  actuator set or released by one-action.
- Type  $\phi 25$ ,  $\phi 30$  Actuator set or released by screwdriver.

## Order example

MVMB - 250 - 3PB - 25B - G

MODEL

BODY WIDTH

BUTTON SIZE

BUTTON COLOR

PORT THREAD

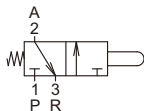
2: 2way(2port)  
3: 3way(3port)

B1: Body(without button)  
R1: Roller lever  
EB: Latching palm button  
LB: Extended twist button  
TB: Twist button  
PB: Mushroom palm button  
PP: Push button

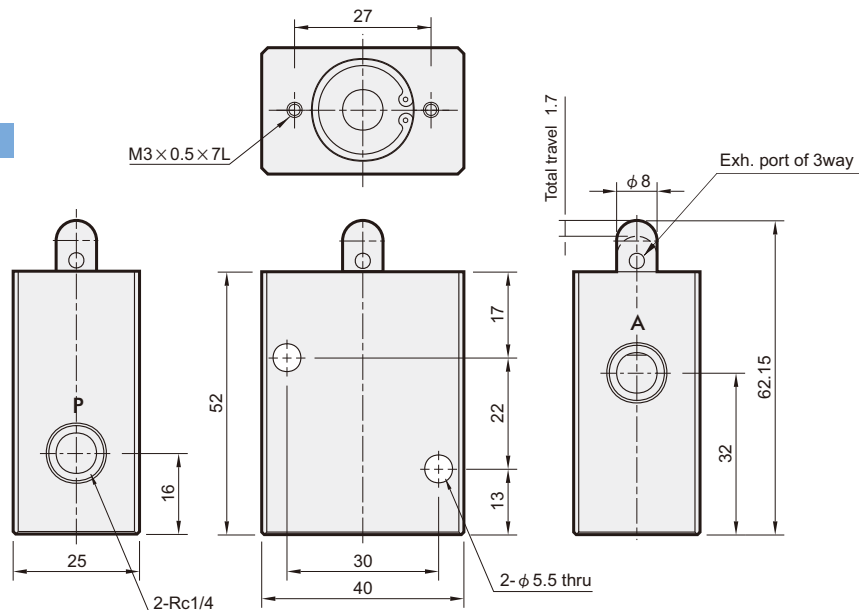
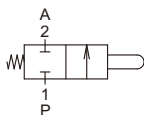
Color	Type
—	B1 type
G: Green	EB type
R: Red	LB type
B: Black	TB type
B: Black	PB type
G: Green	PP type
R: Red	

Blank: Rc thread  
G: G thread  
NPT: NPT thread

### MVMB-250-3B1



### MVMB-250-2B1



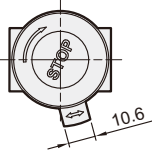
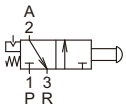
( ) : for EB type

# MVMB-250 Dimensions

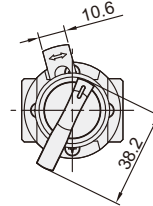
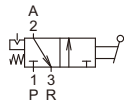
## MECHANICAL VALVE



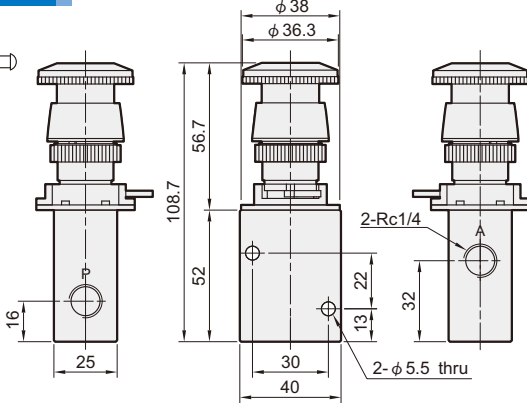
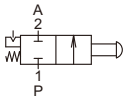
**3EB-22**



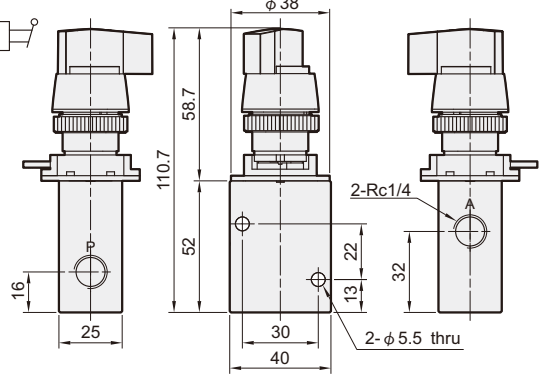
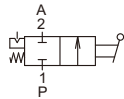
**3LB-22**



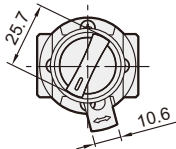
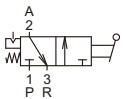
**2EB-22**



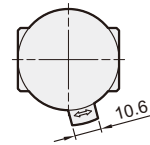
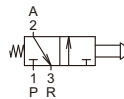
**2LB-22**



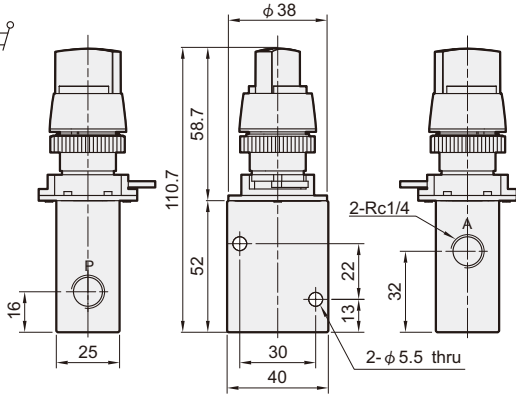
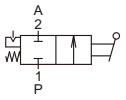
**3TB-22**



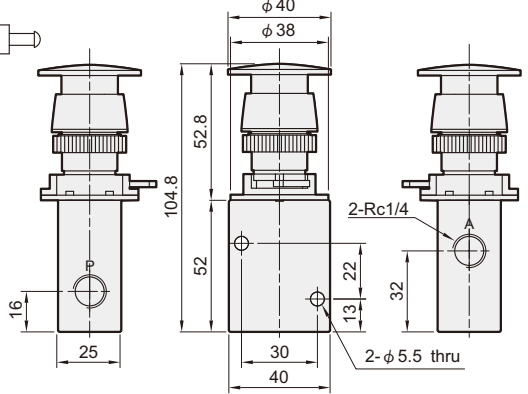
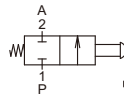
**3PB-22**



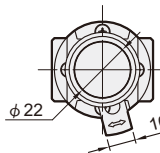
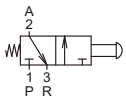
**2TB-22**



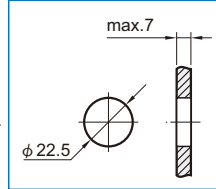
**2PB-22**



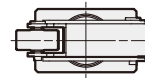
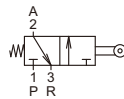
**3PP-22**



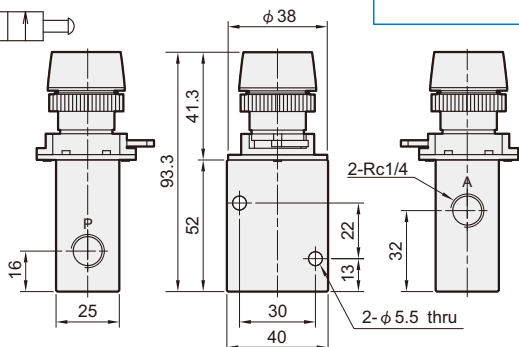
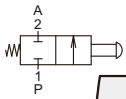
Panel mounting hole



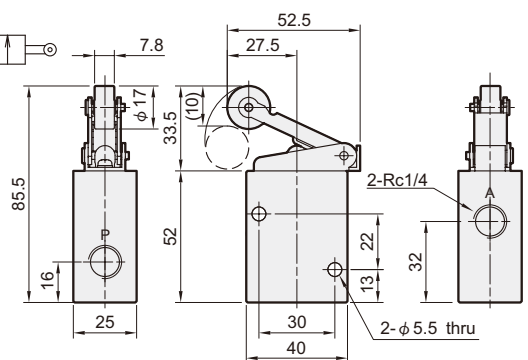
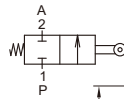
**3R1**



**2PP-22**



**2R1**



# MVMB-250 Dimensions

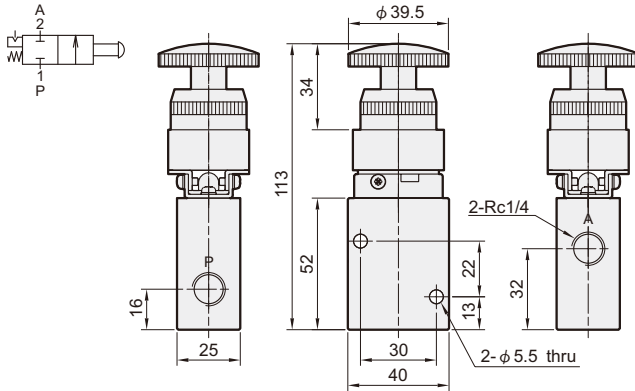
## MECHANICAL VALVE



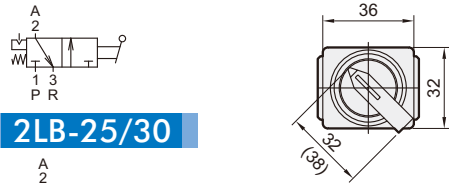
### 3EB-25/30



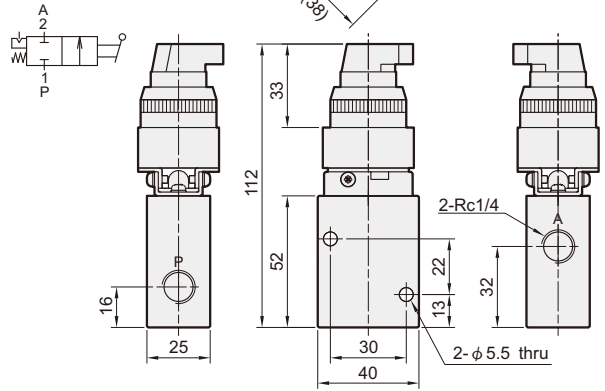
### 2EB-25/30



### 3LB-25/30



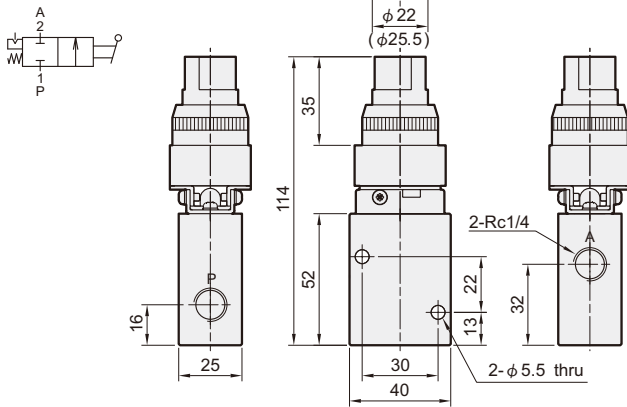
### 2LB-25/30



### 3TB-25/30



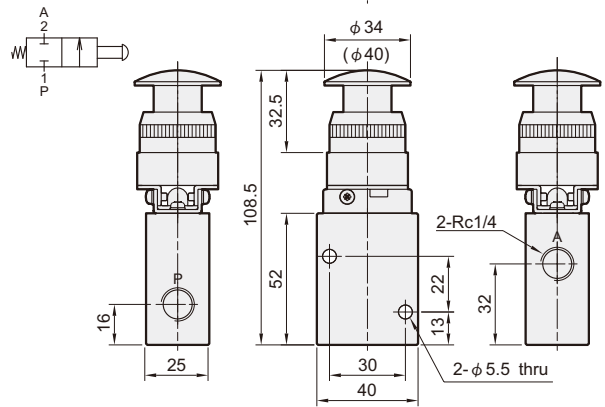
### 2TB-25/30



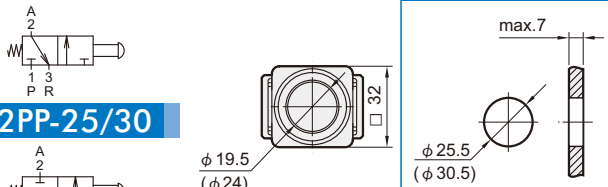
### 3PB-25/30



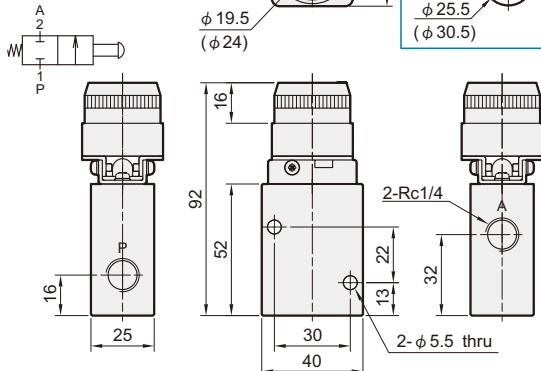
### 2PB-25/30



### 3PP-25/30



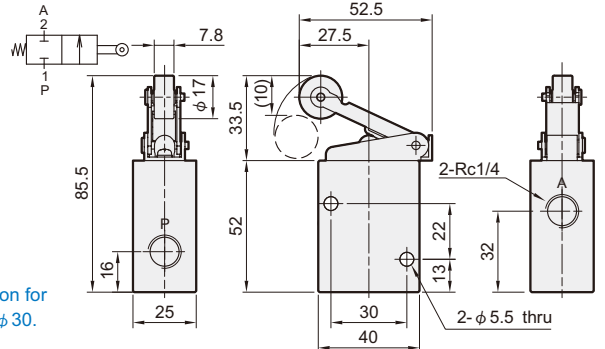
### 2PP-25/30



### 3R1



### 2R1



( ) : Dimension for button size  $\phi 30$ .