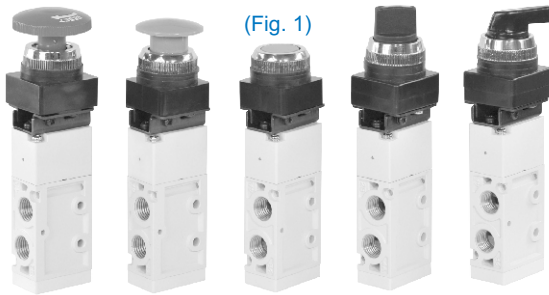


MVMB-220-4** series

MECHANICAL VALVE



(Fig. 1)

Specification

Model	MVMB-220-4**
Bore No.	8A
Port size	Rc1/4
No. of port	5
No. of position	2
Medium	Air
Operating pressure range	0~0.8 MPa
Proof pressure	1 MPa
Effective orifice	18 mm ²
Ambient temperature	-5~+60°C (No freezing)
Weight	180 g

Actuator-holder

(Fig. 2)



- Type $\phi 22$ only show body and actuator-holder in (Fig. 2).
- Type $\phi 25$, $\phi 30$ fix bracket in (Fig. 1).
- Type $\phi 22$ actuator set or released by one-action.
- Type $\phi 25$, $\phi 30$ Actuator set or released by screwdriver.

Order example

MVMB - 220 - 4EB - 25R - G

MODEL

BODY WIDTH

BUTTON SIZE

- 22: $\phi 22$
- 25: $\phi 25$
- 30: $\phi 30$

BUTTON COLOR

Color	Type
—	B1 type
G: Green	EB type
R: Red	
B: Black	LB type TB type
B: Black	
G: Green	PB type PP type
R: Red	

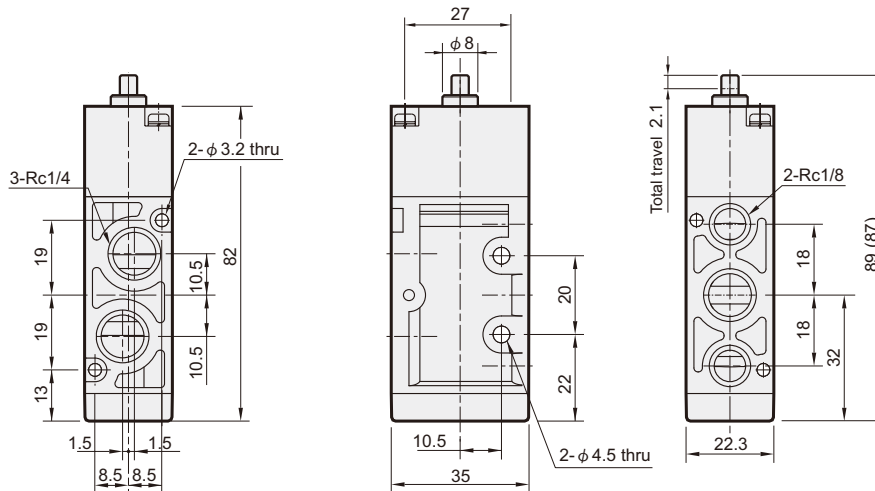
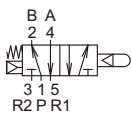
PORT THREAD

- Blank: Rc thread
- G: G thread
- NPT: NPT thread

4: 4way(5port)

- B1: Body (without button)
- EB: Latching palm button
- LB: Extended twist button
- TB: Twist button
- PB: Mushroom palm button
- PP: Push button

MVMB-220-4B1



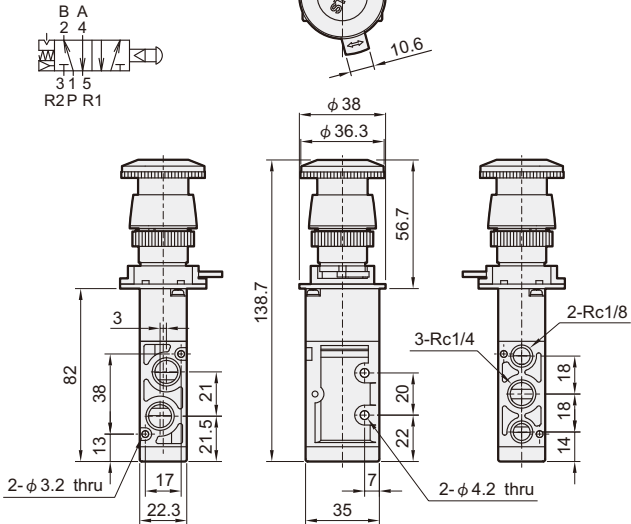
() : for EB type

MVMB-220-4** Dimensions

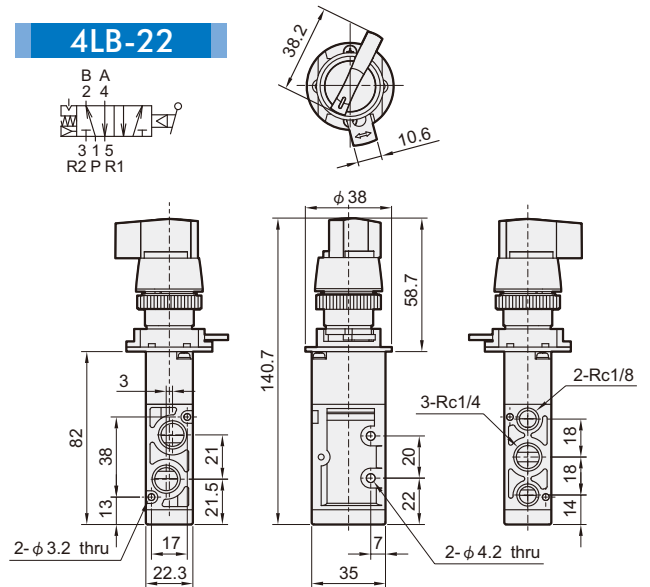
MECHANICAL VALVE



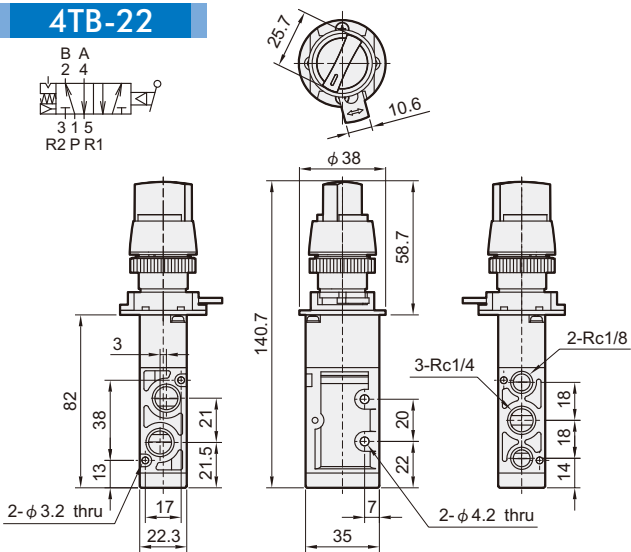
4EB-22



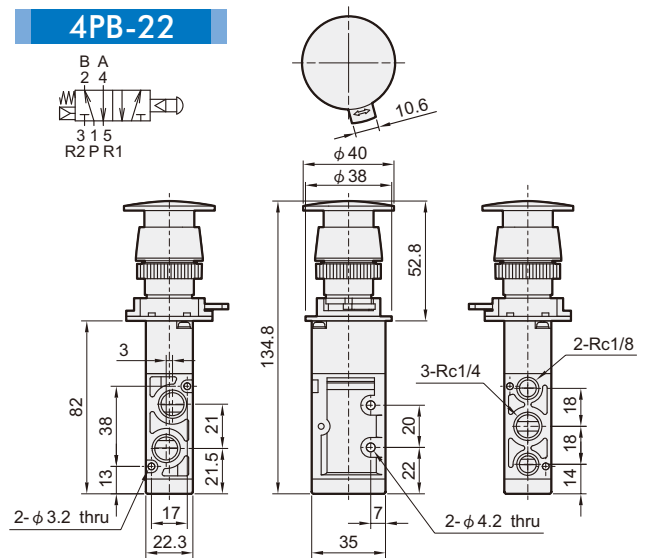
4LB-22



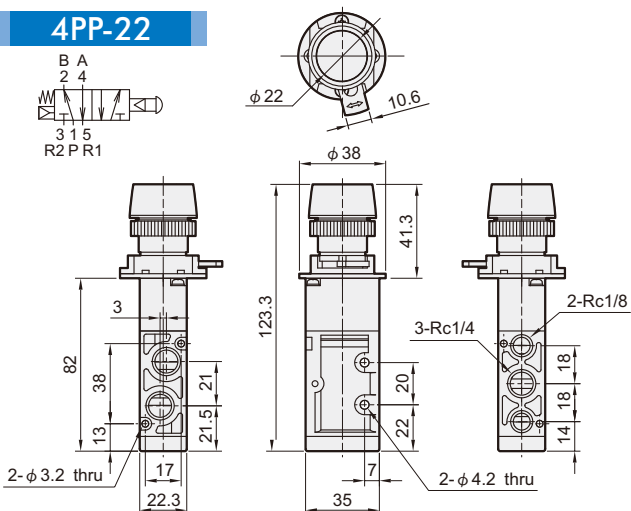
4TB-22



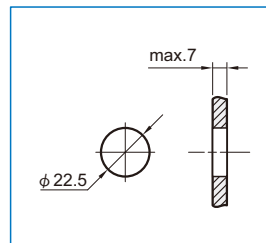
4PB-22



4PP-22



Panel mounting hole

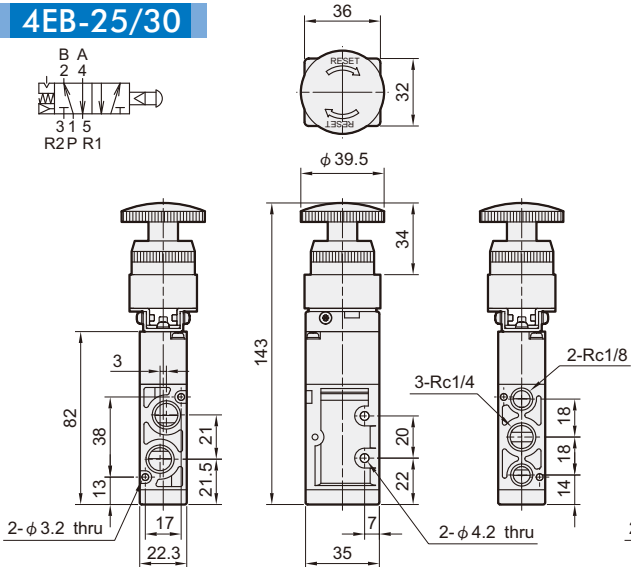


MVMB-220-4** Dimensions

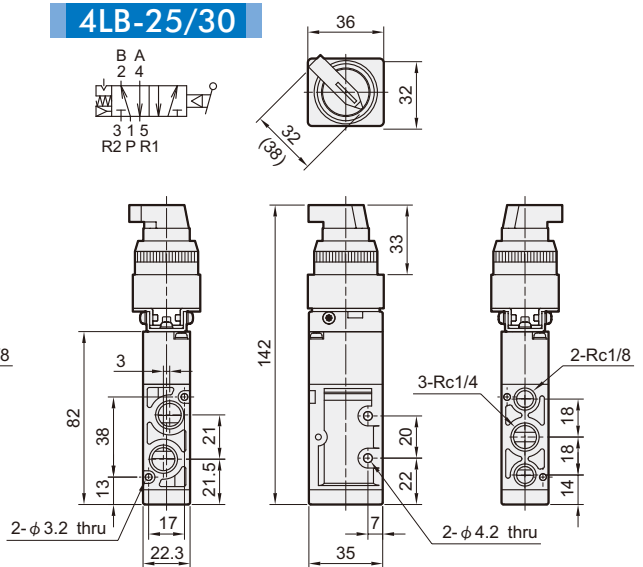
MECHANICAL VALVE



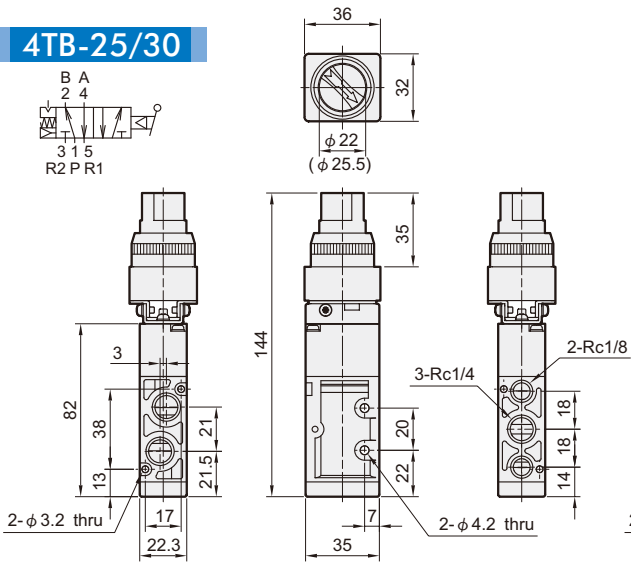
4EB-25/30



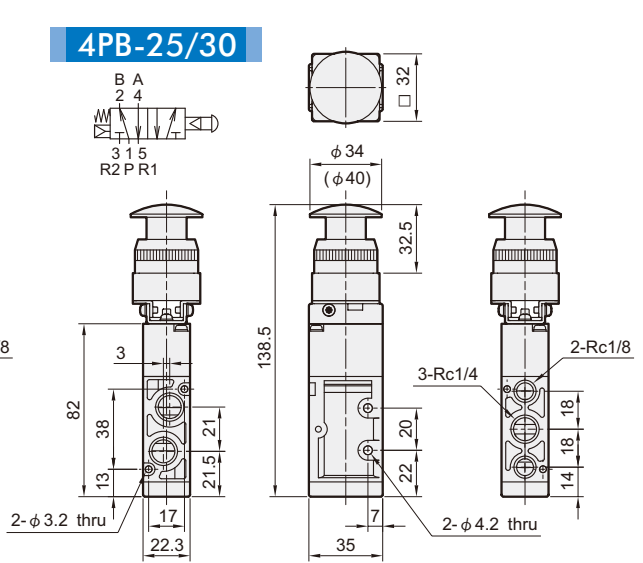
4LB-25/30



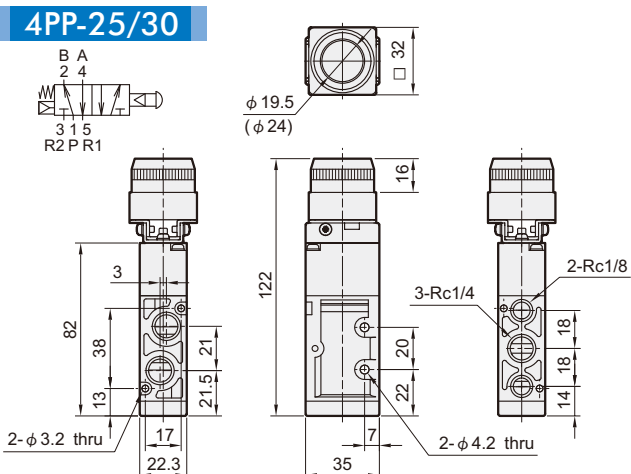
4TB-25/30



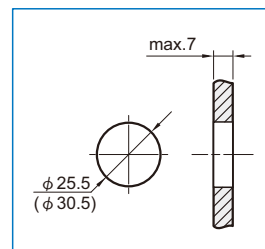
4PB-25/30



4PP-25/30



Panel mounting hole



(): Dimension for button size $\phi 30$.