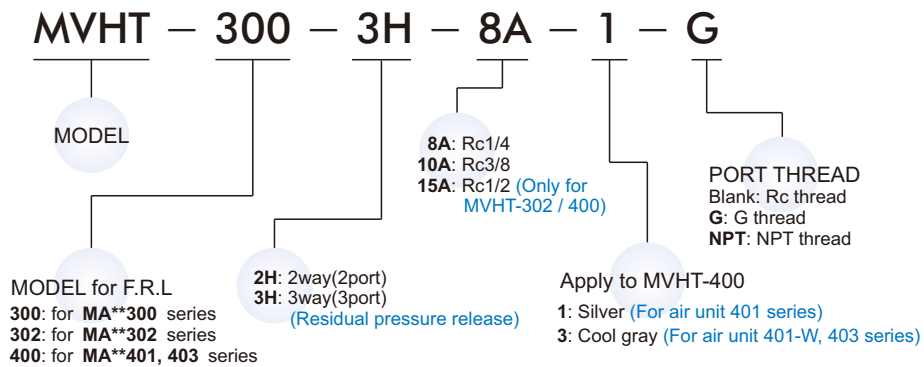


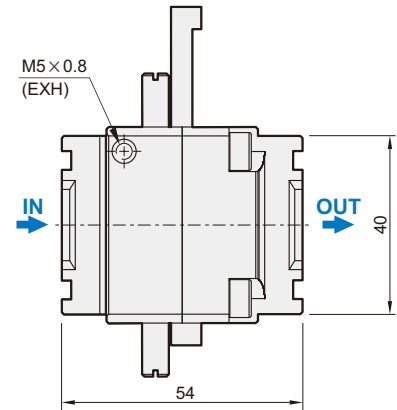
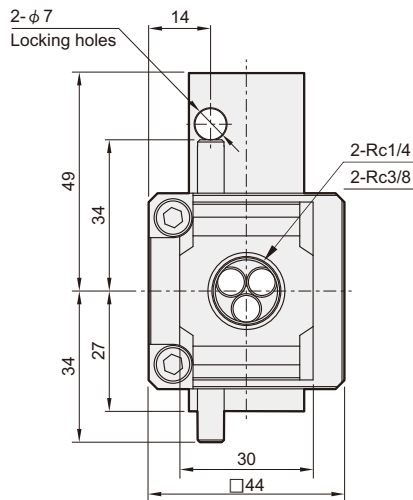
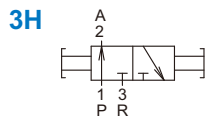
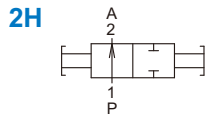
Specification

Model	MVHT-300		MVHT-302, MVHT-400		
Bore No.	8A	10A	8A	10A	15A
Port size	Rc1/4	Rc3/8	Rc1/4	Rc3/8	Rc1/2
No. of port	3(2)				
No. of position	2				
Medium	Air				
Operating pressure range	0~1.5 MPa				
Proof pressure	2 MPa				
Ambient temperature	-5~+60°C (No freezing)				
Weight	230 g		249 g, 220 g		

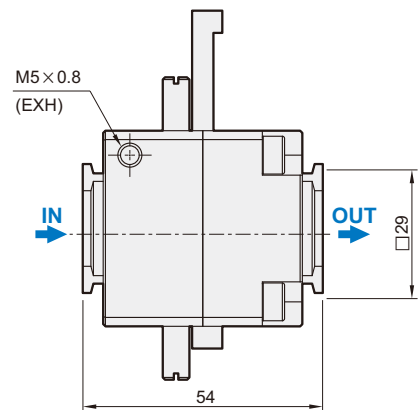
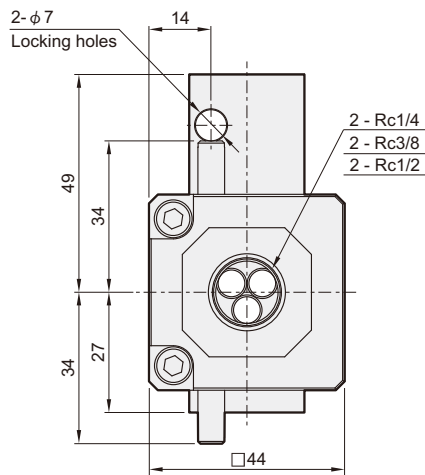
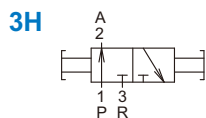
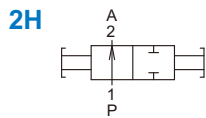
Order example



MVHT-300



MVHT-302



MVHT-400

