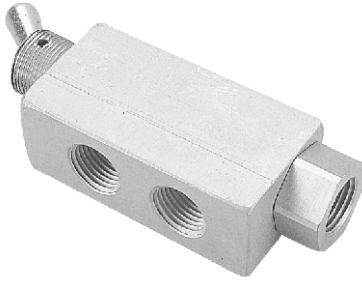


MVHF-3V

HAND VALVE

MVHF-5V

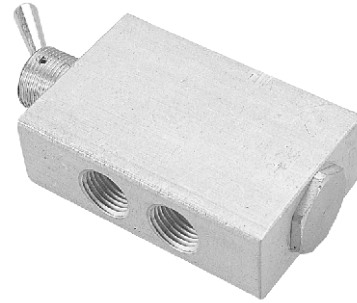
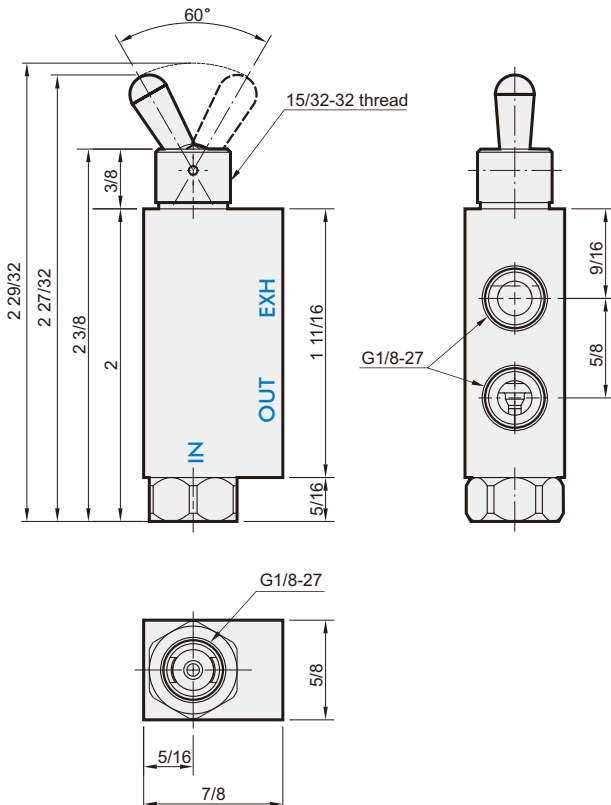
HAND VALVE



Specification

Type	normally CLOSED 3-way poppet two position toggle valve
Medium	Air, water, oil
Arc of travel	60°
Input pressure	15· psig max.
Air flow	@ 50 psig 14 SCFM, @100 psig 25 SCFM
Force for full stem travel	2 1/2 oz. nominal
Temperature range	32°F~230°F
Ports	Input: G1/8 Output: G1/8 Exhaust: G1/8
Mounting	15/32-32 male thread nuts and lock washers furnished
Weight	118 g

※ Port thread NPT. are also available.



Specification

Type	4-way spool valve toggle actuated two position 5 ported
Medium	Air, water, oil
Arc of travel	80°
Input pressure	150 psig max.
Effective orifice	4.3 mm ²
Force for full stem travel	3 oz. nominal
Temperature range	32°F~230°F
Ports	Input: G1/8 Output:G1/8 Exhaust:G1/8
Mounting	15/32-32 male thread nuts and lock washers furnished
Weight	172 g

※ Port thread NPT. are also available.

