

MVHB-500 series

HAND LEVER VALVE



Specification

Model	MVHB-500(V)-4TV MVHB-500(V)-4TV-SP	MVHB-500(V)-4TV* MVHB-500(V)-4TV*-SP
Bore No.	15A	
Port size	Rc1/2	
No. of port	5	
No. of position	2	3
Medium	Air	
Operating pressure range	0~1.2 MPa	
Effective orifice	41 mm ²	
Ambient temperature	-5~+60°C (No freezing)	
Weight	519 g	560 g

Order example

MVHB - 500V - 4TVC - SP - G

MODEL

BODY WIDTH

4 way

VALVE TYPE

SPRING RETURN

PORT THREAD

Blank: Standard type
V: Vertical type

Blank: 5/2

C: Close center (5/3)

P: Pressure center (5/3)

R: Exhaust center (5/3)

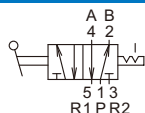
Blank: Rc thread

G: G thread

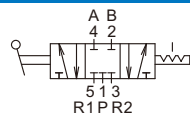
NPT: NPT thread

* Vertical type can be used with MVSE-500 manifold (Refer to page 1-34).

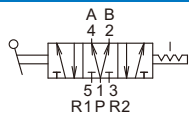
MVHB-500-4TV



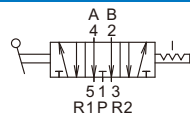
MVHB-500-4TVC



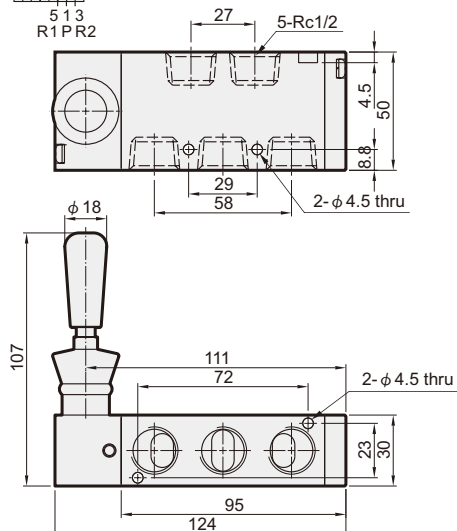
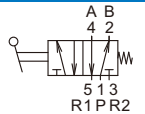
MVHB-500-4TVP



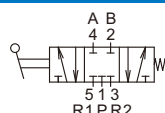
MVHB-500-4TVR



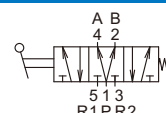
MVHB-500-4TV-SP



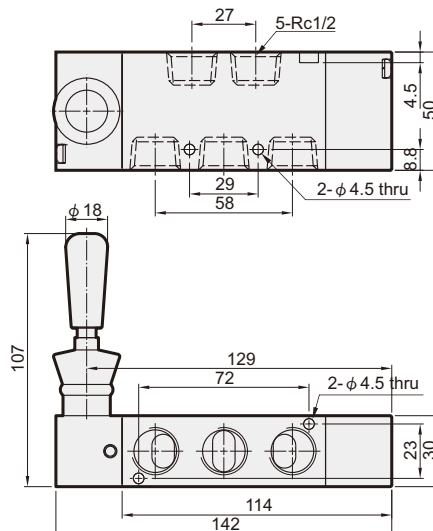
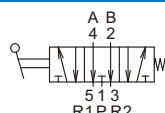
MVHB-500-4TVC-SP



MVHB-500-4TVP-SP



MVHB-500-4TVR-SP



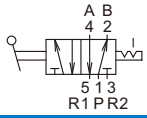
MVHB-500 Dimensions

HAND LEVER VALVE

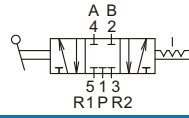


mindman

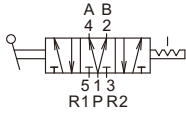
MVHB-500V-4TV



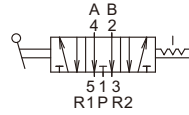
MVHB-500V-4TVC



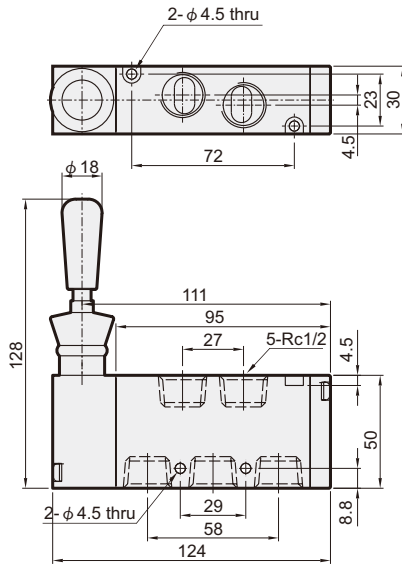
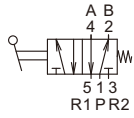
MVHB-500V-4TVP



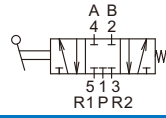
MVHB-500V-4TVR



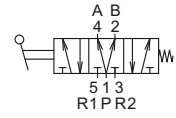
MVHB-500V-4TV-SP



MVHB-500V-4TVC-SP



MVHB-500V-4TVP-SP



MVHB-500V-4TVR-SP

