

MVHB-300 series

HAND LEVER VALVE



Mindman



Specification

Model	MVHB-300(V)-4TV MVHB-300(V)-4TV-SP	MVHB-300(V)-4TV* MVHB-300(V)-4TV*-SP
Bore No.	10A	
Port size	Rc3/8	
No. of port	5	
No. of position	2	3
Medium	Air	
Operating pressure range	0~1.2 MPa	
Effective orifice	34 mm ²	
Ambient temperature	-5~+60°C (No freezing)	
Weight	438 g	487 g

Order example

MVHB - 300V - 4TVC - SP - G

MODEL

BODY WIDTH

4 way

VALVE TYPE

SPRING RETURN

PORT THREAD

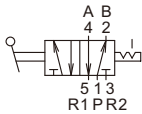
Blank: Standard type
V: Vertical type

Blank: 5/2
C: Close center (5/3)
P: Pressure center (5/3)
R: Exhaust center (5/3)

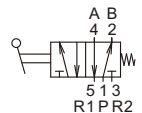
Blank: Rc thread
G: G thread
NPT: NPT thread

※ Vertical type can be used with MVSE-300 manifold (Refer to page 1-31).

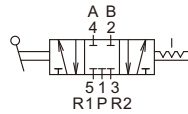
MVHB-300-4TV



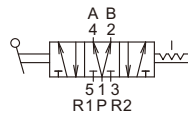
MVHB-300-4TV-SP



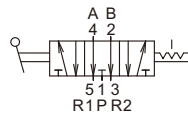
MVHB-300-4TVC



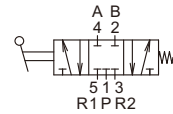
MVHB-300-4TVP



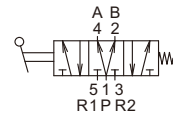
MVHB-300-4TVR



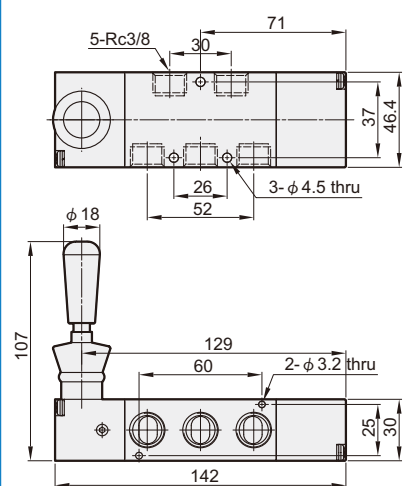
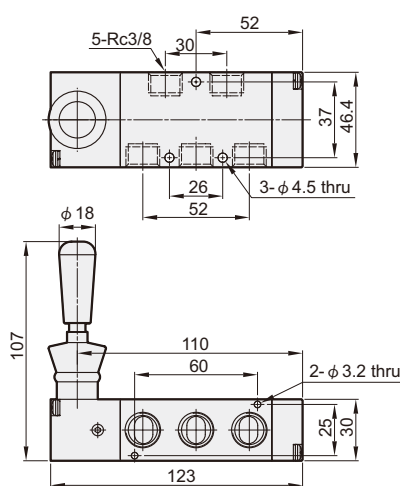
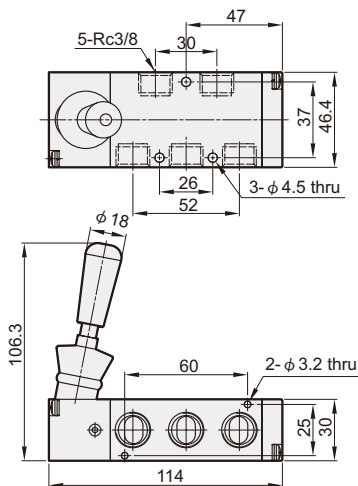
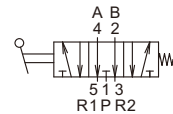
MVHB-300-4TVC-SP



MVHB-300-4TVP-SP



MVHB-300-4TVR-SP

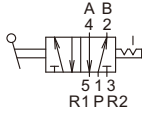


MVHB-300 Dimensions

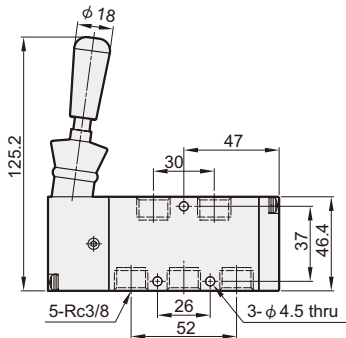
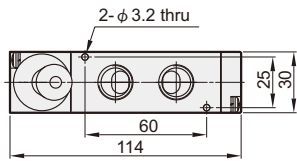
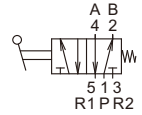
HAND LEVER VALVE



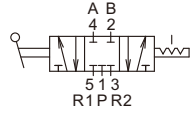
MVHB-300V-4TV



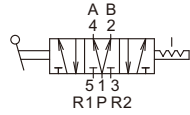
MVHB-300V-4TV-SP



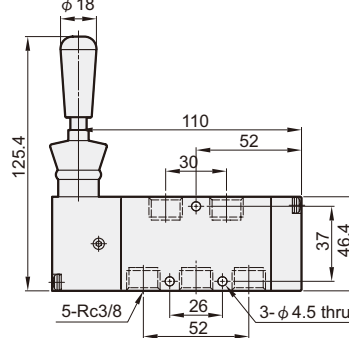
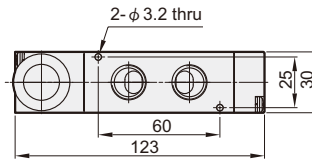
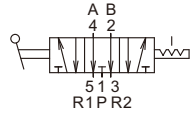
MVHB-300V-4TVC



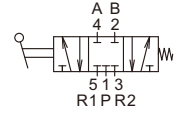
MVHB-300V-4TVP



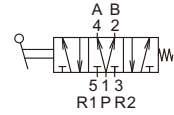
MVHB-300V-4TVR



MVHB-300V-4TVC-SP



MVHB-300V-4TVP-SP



MVHB-300V-4TVR-SP

