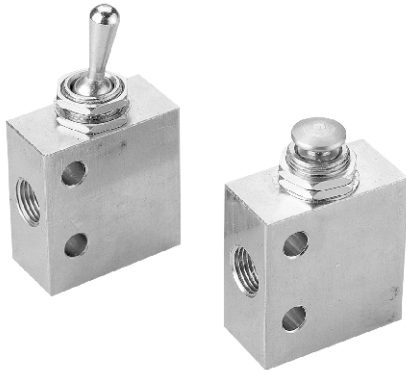


MVHA-31* series

HAND VALVE



Mindman



Specification

Model	MVHA-31V	MVHA-31P
Bore No.	6A	
Port size	Rc1/8	
No. of port	3	
No. of position	2	
Medium	Air	
Operating pressure range	0~0.9 MPa	
Effective orifice	4.5 mm ²	
Ambient temperature	-5~+60°C (No freezing)	
Weight	53 g	50 g

Order example

MVHA - 31V - G

MODEL

3: 3way(3port)

V: V toggle

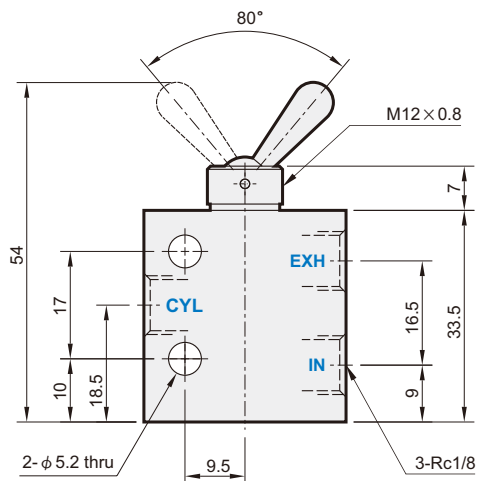
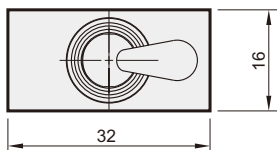
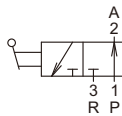
P: Single push button

PORT THREAD
Blank: Rc thread
G: G thread
NPT: NPT thread

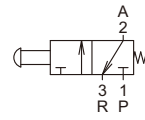
MVHA-31V

MVHA-31P

N.O.



N.C.



N.O.

