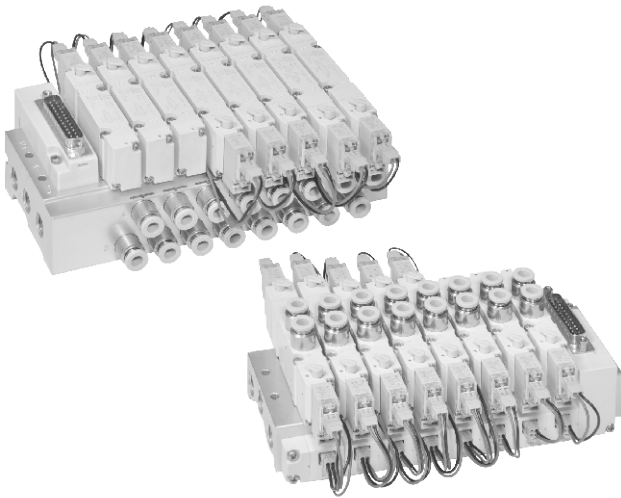


MVB-156 series

MULTI CONNECTOR SYSTEM

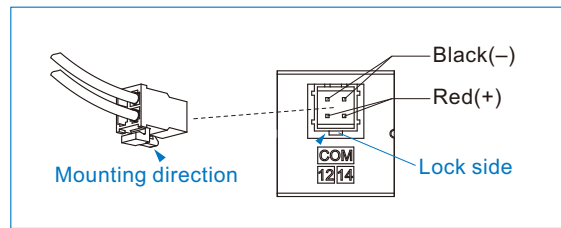


Specification

- 25 Pin D-sub connector (cable length 3m).
- Simple electric wire system.

Remark

- Maximum number of stations
4E1: 12 stations
4E2 & 4E2C.P.R: 11 stations
- For MVSY-156 series solenoid valve only.
- Installation of wire to PCB



Order example (Multi connector system)

MVB – 156M4 – 5B6 □ – SSSDC – AC110 – D – G

MODEL

BODY WIDTH

MANIFOLD NUMBER

2, 3, 4..., 12

COM SPEC.

Blank: -COM
N: +COM
(Only for DC voltage)

VOLTAGE

AC110V(50/60)Hz
AC220V(50/60)Hz
DC6V
DC12V
DC24V

CONNECTOR

Blank: Without
D: With D-sub connector

PORT THREAD

Blank: Rc thread
G: G thread
NPT: NPT thread

MANIFOLD

5B: 5 port (for body ported type)
5M: 5 port (for manifold type)

- C4: Body ported type with tube fitting (dia. φ 4mm)
- C6: Body ported type with tube fitting (dia. φ 6mm)
- C8: Body ported type with tube fitting (dia. φ 8mm)
- M4: Manifold type with tube fitting (dia. φ 4mm)
- M6: Manifold type with tube fitting (dia. φ 6mm)
- M8: Manifold type with tube fitting (dia. φ 8mm)

SOLENOID VALVE

S	4E1- 5/2 Single solenoid
D	4E2- 5/2 Double solenoid
C	4E2C- 5/3 Double solenoid
P	4E2P- 5/3 Double solenoid
R	4E2R- 5/3 Double solenoid

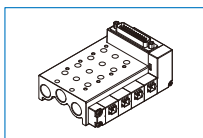
※ Valves are assembled from the D-sub side.

Order example of circuit board and manifold

MVB – 156M4 – 5M3 – G

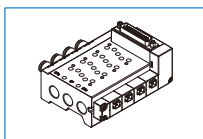
MODEL

Body ported type



Blank Body ported type

Manifold type with tube fitting



M4	dia. φ 4mm
M6	dia. φ 6mm
M8	dia. φ 8mm

MANIFOLD NUMBER

2, 3, 4...,12

MANIFOLD

5B: 5port (for body ported type)
5M: 5port (for manifold type)

PORT THREAD

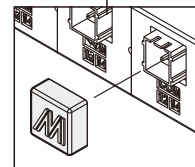
Blank: Rc thread
G: G thread
NPT: NPT thread

Order example of protective plate

※ Use the same accessories with MVB-100.

MVB – 100 – P

MODEL



Order example of connector

MVB – 100 – D

MODEL

D-SUB CONNECTOR

Order example of wire

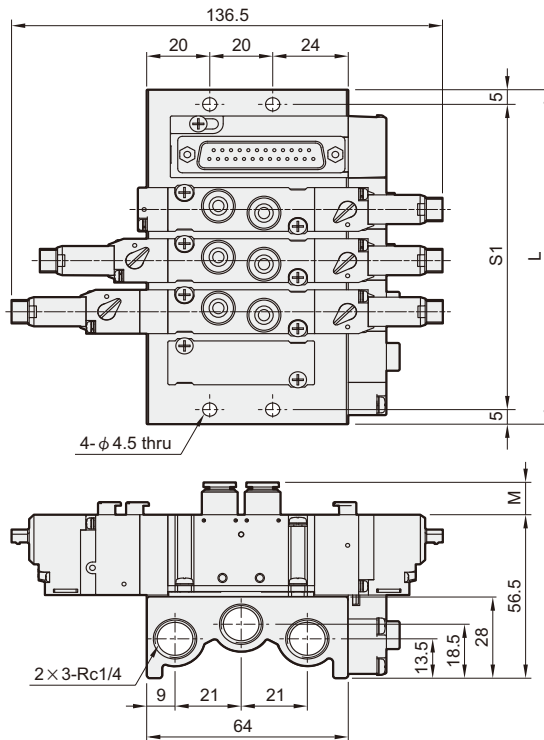
※ Use the same wire with MVB-100, please refer to page 1-103.

MVB-156 Dimensions

MULTI CONNECTOR SYSTEM

MVB-156C*-5B*

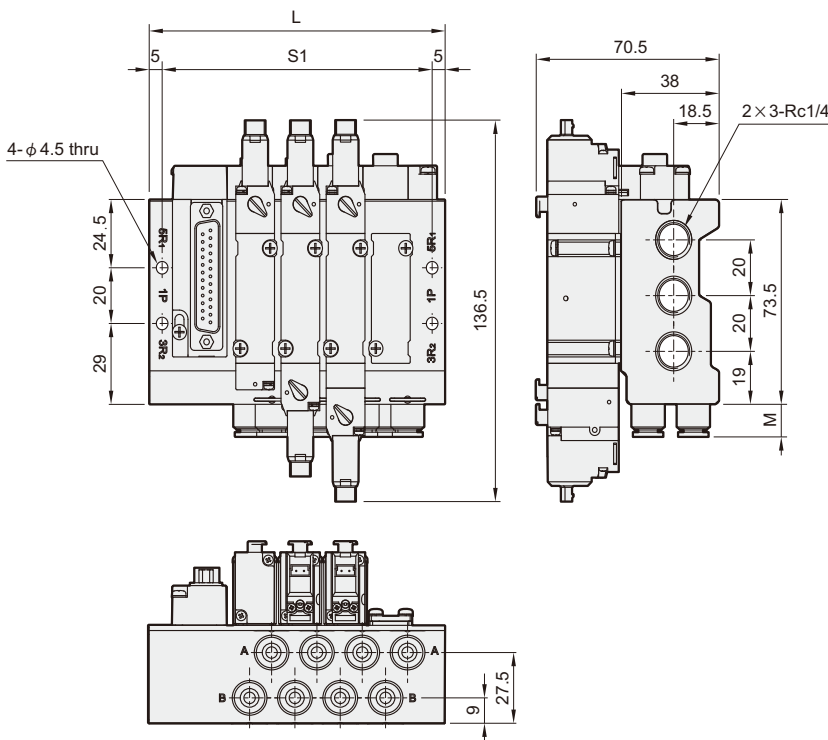
5 port (for body ported type)



No. of stations	L	S1
2	79.5	69.5
3	97	87
4	114.5	104.5
5	132	122
6	149.5	139.5
7	167	157
8	184.5	174.5
9	202	192
10	219.5	209.5
11	237	227
12	254.5	244.5
Code	M	
Port size		
C4	13	
C6	14	
C8	18.5	

MVB-156M*-5M*

5 port (for manifold type)



No. of stations	L	S1
2	79.5	69.5
3	97	87
4	114.5	104.5
5	132	122
6	149.5	139.5
7	167	157
8	184.5	174.5
9	202	192
10	219.5	209.5
11	237	227
12	254.5	244.5
Code	M	
Port size		
C4	13	
C6	14	
C8	18.5	

MVB-100/156 Order example



MULTI CONNECTOR SYSTEM

Mindman

Order example of wire ※ MVB-100 and MVB-156 use the same accessories.

MVB - 100 - □ - WA2E1

MODEL

COM SPEC

Blank: -COM
N: +COM
(Only for DC voltage)

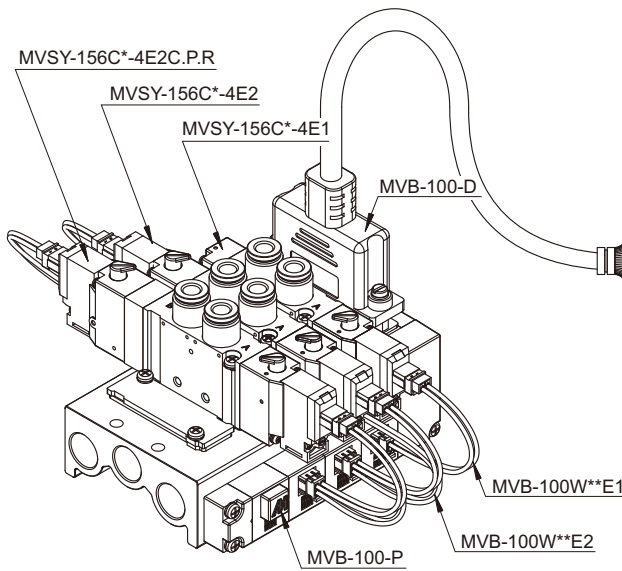
VOLTAGE

A2: AC220V(50/60)Hz
A1: AC110V(50/60)Hz
D: DC24V/12V/6V

WIRE TYPE

E1: for 4E1 valves
E2: for 4E2 valves

25 PIN



Wire color	Pin No.	Coil No.
Brown	1	D-01
Purple / black	14	D-02
Brown / black	2	D-03
Grey	15	D-04
Red	3	D-05
Grey / black	16	D-06
Red / black	4	D-07
White	17	D-08
Orange	5	D-09
White / black	18	D-10
Orange / black	6	D-11
Pink	19	D-12
Yellow	7	D-13
Pink / black	20	D-14
Yellow / black	8	D-15
Light purple	21	D-16
Green	9	D-17
Light purple / black	22	D-18
Green / black	10	D-19
Light blue	23	D-20
Blue	11	D-21
Light blue / black	24	D-22
Blue / black	12	D-23
Purple	13	COM
Light green	25	COM

MVB-100-W**E1

MVB-100-W**E2

