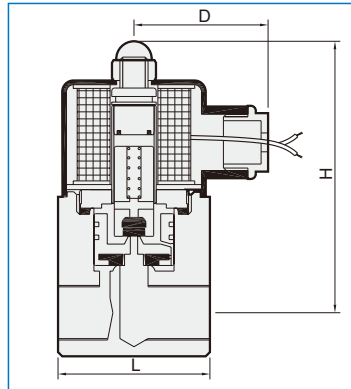
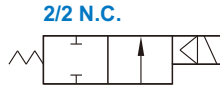


2/2 WAY N.C. PISTON TYPE SOLENOID VALVE

mindman

2-WAY normally closed solenoid valve.

Available fluid: Water, air & oil.



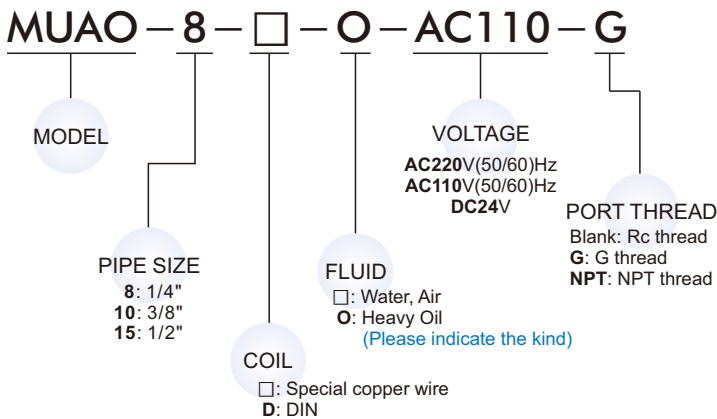
Specification

- Is multiplex-drive, piston guide, conductive normal close.
- SUS can be operated directly without pressure.
- Other voltage of AC/DC available when required.
- The standard product fluid temperature is 185°C (PTFE).
- Applicable for working in high frequency movement location.
- MUAO series is most applicable for sand blasting machine and high-pressure air/oil spray system.
- AC Voltage tolerance: $\pm 10\%$
DC Voltage tolerance: $\pm 1\%$.

Material

Parts name	Material
Body	Brass
Coil	Special copper wire (H)
Piston	Brass
Tube	Stainless steel
Spring	Stainless steel
Core	Stainless steel
Plug	NBR

Order example



Not for fluid of

- Liquid when heat, solid when cool.
- Corrosive fluid.
- Viscosity over 20 cst.
- Temperature over 80°C.

Caution

- Pipes must be washed neat and clean before fitted.
- A Y-STRAINER has to be installed in the front of solenoid valve, that is best for long life.

Model	DIN	Pipe size	Cv	Orifice (mm)	Fluid temp	Max. operating pressure diff. MPa			Dimensions(mm)			Weight (kg)
						Water	Air	Light oil	L	H	D	
MUAO-8	●	Rc1/4"	2.5	10	-5~+80°C	0.05~1.5	0.05~1.5	0.05~1.5	49	110	49	1.1
MUAO-10	●	Rc3/8"	2.5	10	-5~+80°C	0.05~1.5	0.05~1.5	0.05~1.5	49	110	49	1.1
MUAO-15	●	Rc1/2"	2.5	10	-5~+80°C	0.05~1.5	0.05~1.5	0.05~1.5	49	110	49	1.1

※ The pressure ratings indicated above are based on AC110V/220V. The maximum pressure may vary in case on DC/AC24V.