

### Specification

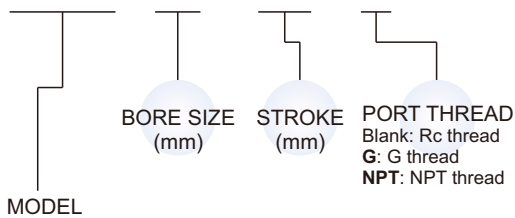
Model	MSL*
Medium	Air
Operating pressure range	0.2~1 MPa
Proof pressure	1.5 MPa
Ambient temperature	-5~+60°C (No freezing)
Lubrication	Not required
Cushion	With rubber cushion pad

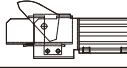
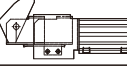

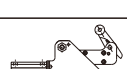
Model	Magnet	Sensor switch (※)	Weight
MSLP-P-φ 32-40	○	RCE, RCE1, RDEP	840 g
MSLP-CP-φ 32-40	○	RCE, RCE1, RDEP	840 g
MSLL-φ 25-30	×	—	1850 g
MSLL-φ 40-30	○	RCA (Band BA40, BGS40)	4550 g
MSLD-φ 50-50	○	RCB,RCE,RCE1,RDEP	8750 g

※ RCA, RCB, RCE, RCE1, RDEP specifications, please refer to page 8-6, 8, 10, 15.

### Order example

**MSLP — 32 — 40 — G**

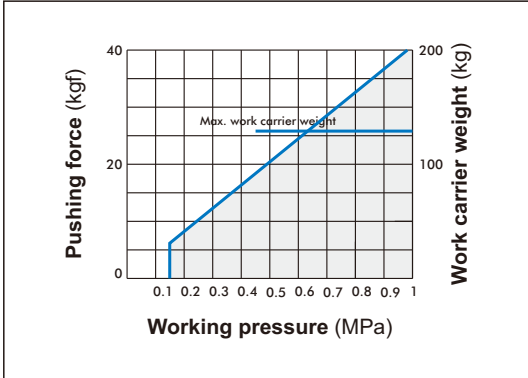


Type of cylinder		Operation type
<b>MSLP-P</b>		Double acting Extend type
<b>MSLP-CP</b>		Double acting Return type
<b>MSLL</b>		Double acting without spring Stopper with roller
		Double acting with spring Stopper with roller (Option)
<b>MSLD</b>		Double acting with spring Shockless stopper

**STOPPER CYLINDER**

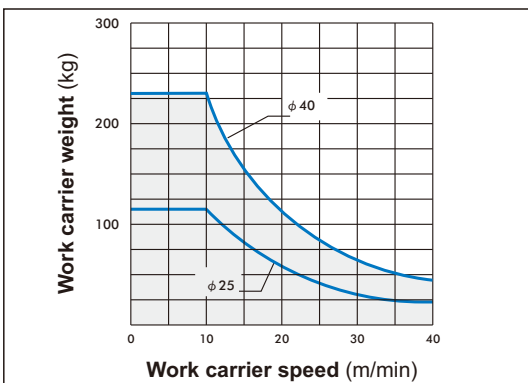
**MSLP-\*  $\phi 32-40$**

**Capacity**



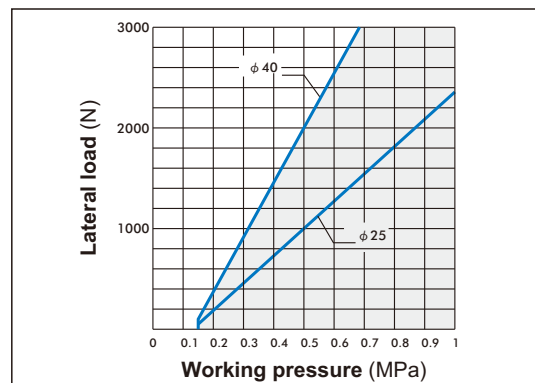
**MSLL**

**Capacity**



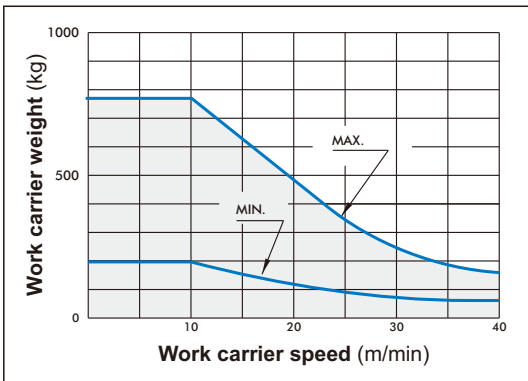
**MSLL**

**Normal lateral load**



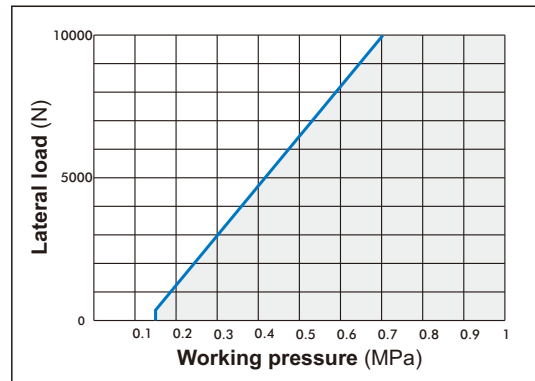
**MSLD  $\phi 50$**

**Capacity**

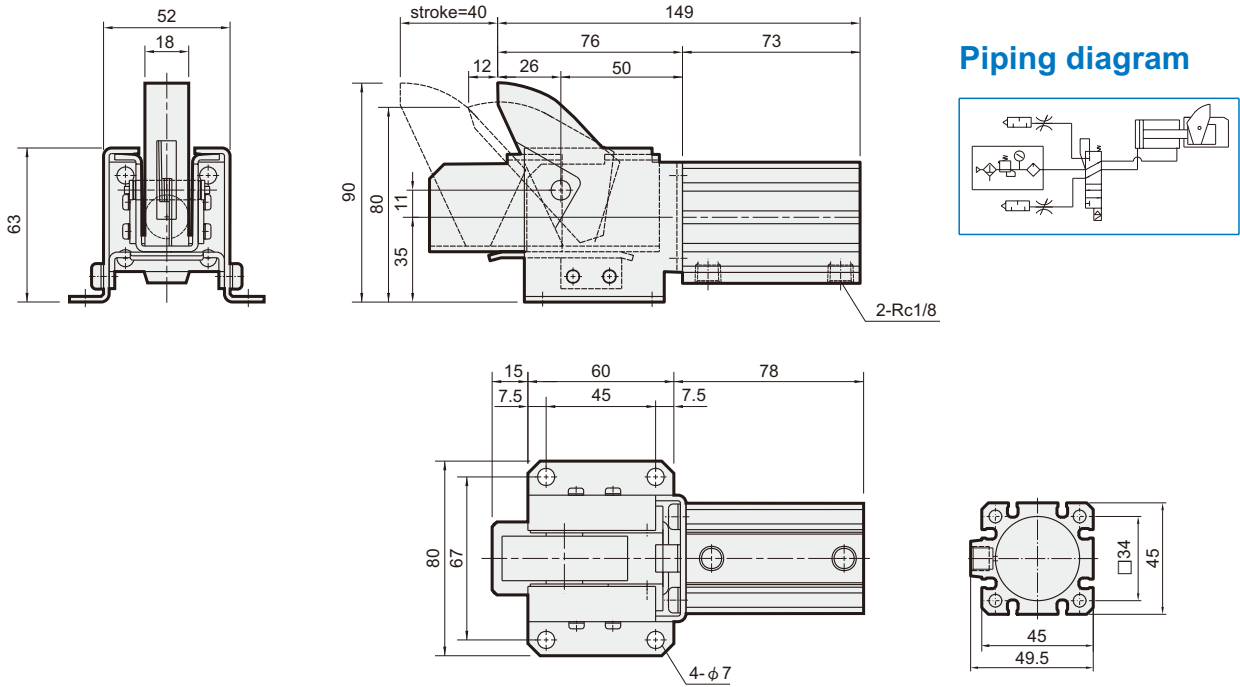


**MSLD  $\phi 50$**

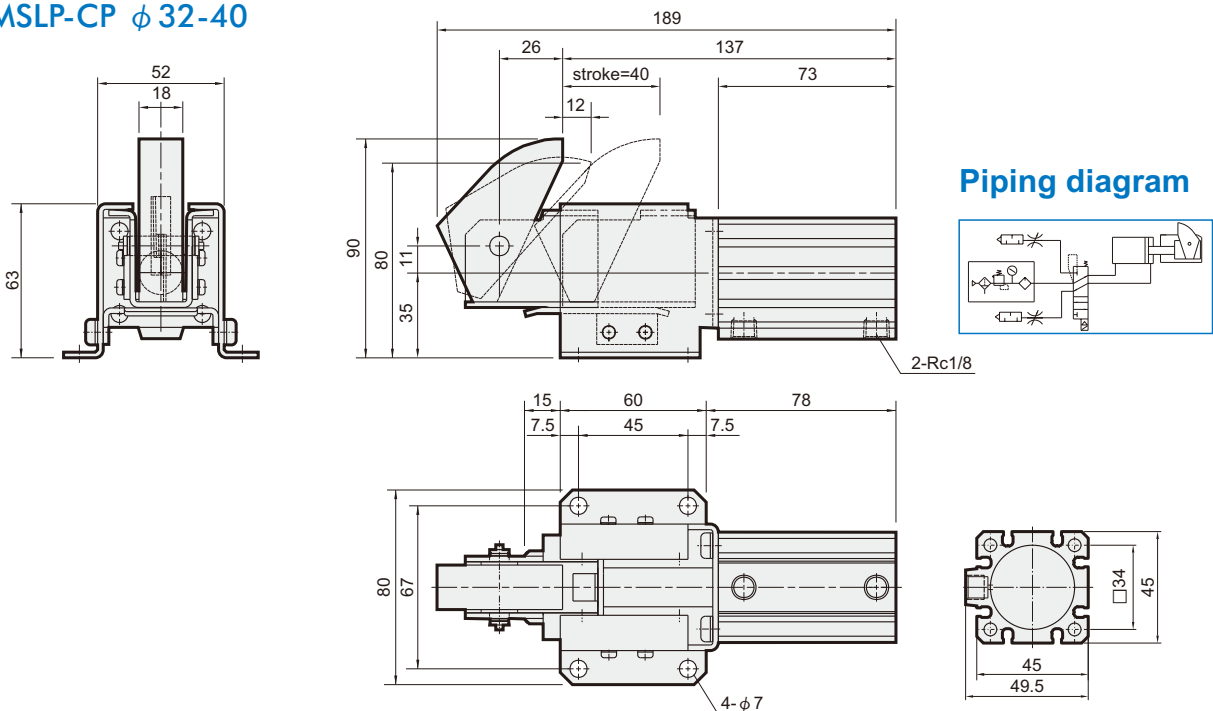
**Normal lateral load**



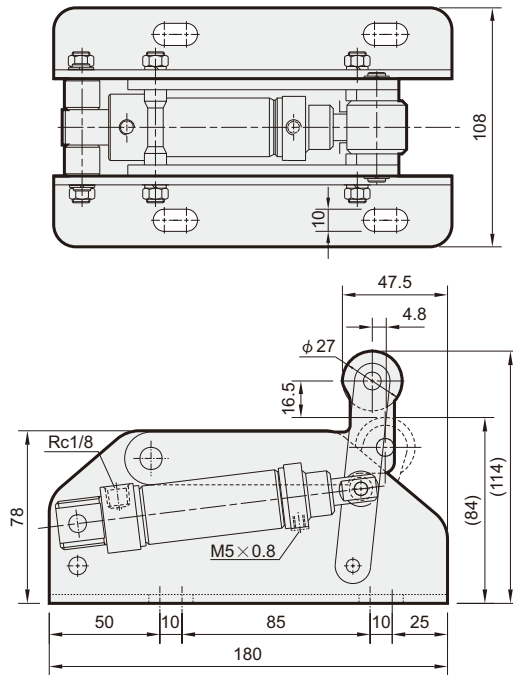
### MSLP-P $\phi 32-40$



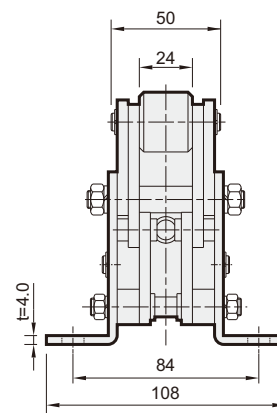
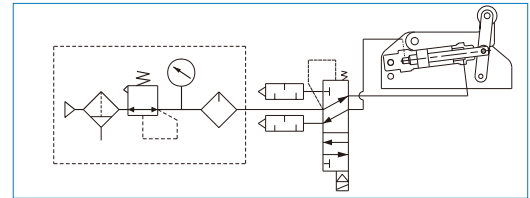
### MSLP-CP $\phi 32-40$



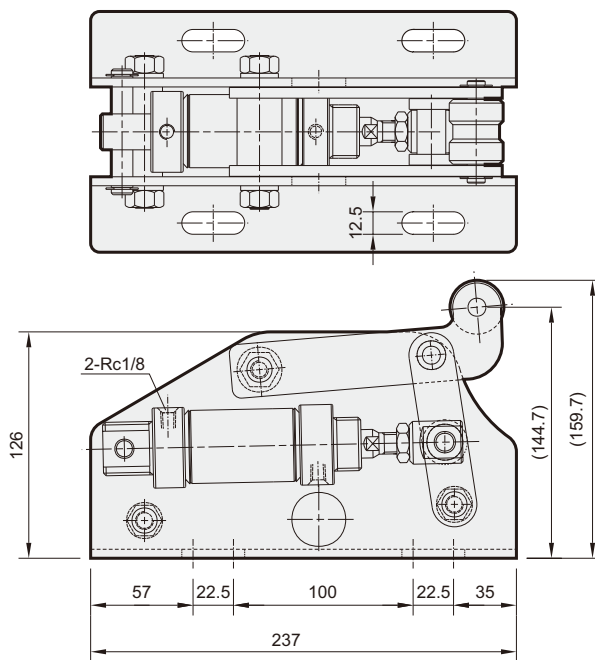
### MSLL $\phi 25-30$



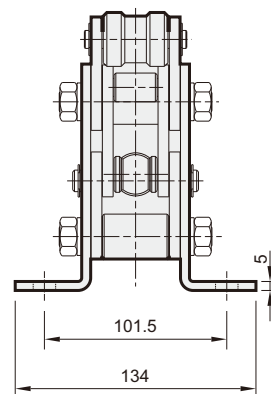
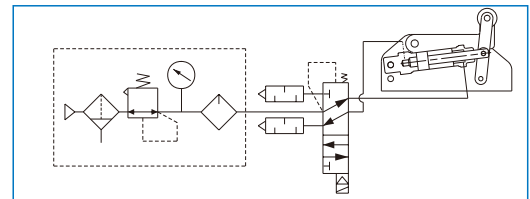
### Piping diagram



### MSLL $\phi 40-30$



### Piping diagram



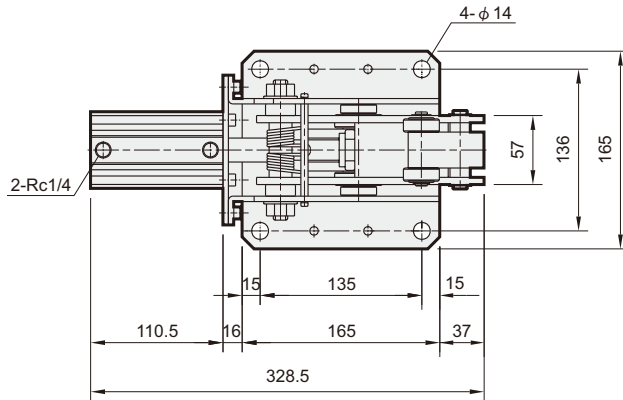
# MSLD Dimensions $\phi 50$

## STOPPER CYLINDER

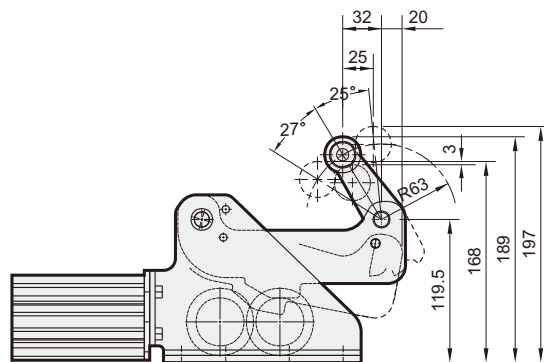
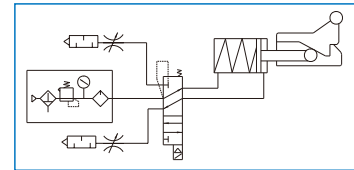


Mindman

### MSLD $\phi 50-50$



### Piping diagram



※ Roller is made of rolled steel.

