

# MSC100 series

FLOW CONTROL VALVE



## Specification

Model		MSC100	
Bore No.		M3	M5
Port size		M3×0.5	M5×0.8
Medium		Air	
Operating pressure range		0.1~0.7 MPa	
Proof pressure		1.05 MPa	
Ambient temperature		-5~+60°C (No freezing)	
Flow (ℓ/min)	Free flow	20	80
	Controlled flow	20	90
Number of needle rotations		6	8
Weight		3 g	34 g

※ Supply pressure: 0.5 MPa, Temperature: 20°C

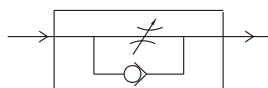
## Order example

MSC100 – M5

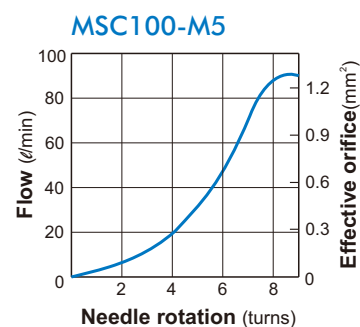
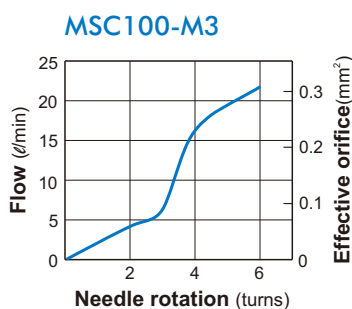
MODEL

BORE SIZE  
M3: M3×0.5  
M5: M5×0.8

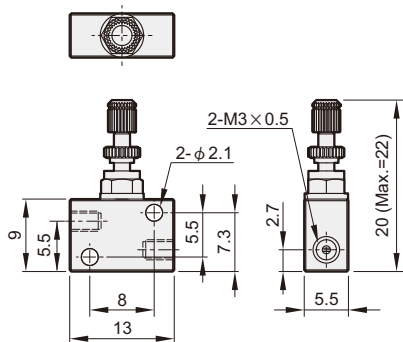
## Symbol



## Flow feature



## MSC100-M3



## MSC100-M5

