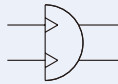
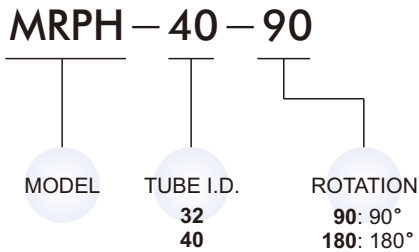


**MRPH** Male pivot gear



### Order example



### Features

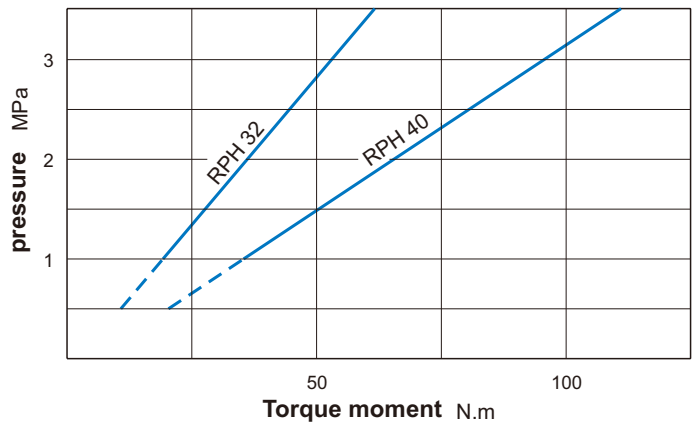
- Compact body manufactured from anodised aluminum.
- Functional design with clean appearance.
- Rotation angle can be adjusted via screw.

### Specification

Model	MRPH	
Tube I.D. (mm)	32	40
Standard rotation	90 ± 5° , 180 ± 5°	
Rotating shaft dia. (mm)	24	28
Initial position of slot (mm)	See dimensional feature	
Medium	Filtered air with or without lubrication	
Operating pressure range	3.5 MPa	
Ambient temperature	-10~ +60°C (No freezing)	
Max. allowable axial thrust	12 kg	20 kg
Sensor switch (※)	LN01P	

※ LN01P specification, please refer to page 5-17.

### Output torque table



### Kind of fluid

Petroleum - based fluid	Water - glycol fluid	Phosphate - ester fluid	Water in oil fluid	Oil in water fluid
○	×	×	△	△

Note. ○ allowable × unallowable △ consult us

### Oil volume per

Unit: ml

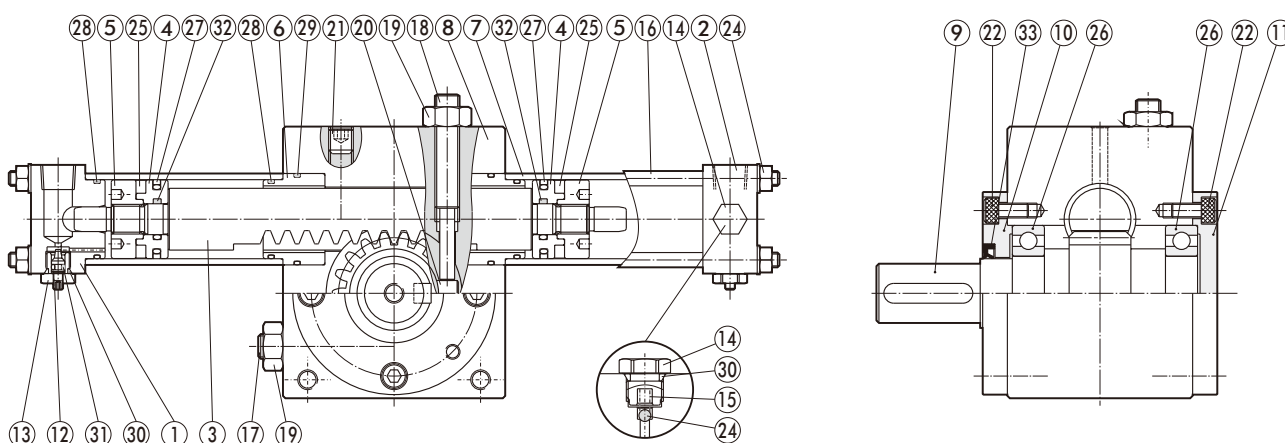
Rotary angle / Tube I.D.	90°	180°
32	29	54
40	52	100

## HYDRAULIC ROTARY ACTUATOR

### How to order the seal kit

MRPHSK

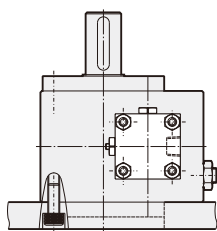
Tube I.D.	Seal kit
32	MRPHSK32 - Including No.27,28,29,30,31,32,33
40	MRPHSK40 - Including No.27,28,29,30,31,32,33



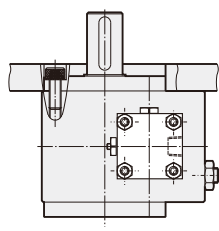
### Parts list

No.	Part name	Quantity	No.	Part name	Quantity	No.	Part name	Quantity
1	End cap	1	12	Cushion needle	2	23	Nut & Spring washer	8
2	End cap	1	13	Cushion plug	2	24	Steel ball	2
3	Rack	1	14	Check valve	2	25	Magnet	2
4	Piston	2	15	Spring	2	26	Ball bearing	2
5	Magnet holder	2	16	Tie bolt	8	27	Piston packing	2
6	Rod bush	2	17	Adjusting screw	1	28	Cylinder gasket	4
7	Cylinder tube	2	18	Adjusting screw	1	29	O-ring	2
8	Housing	1	19	Lock nut	2	30	O-ring	4
9	Pinion shaft	1	20	Stopper pin	1	31	O-ring	2
10	End cover	1	21	Set screw	1	32	Piston gasket	2
11	End cover	1	22	Hexagon socket head screw	8	33	Rod packing	1

### Mounting type

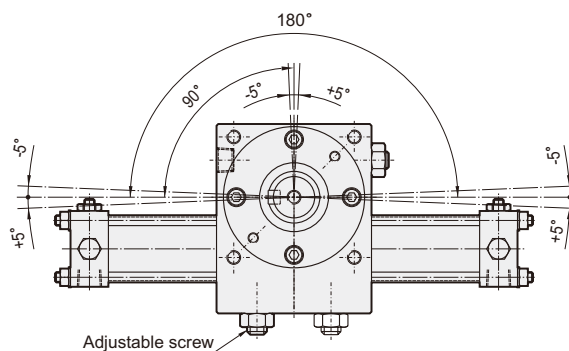


Bottom mounting

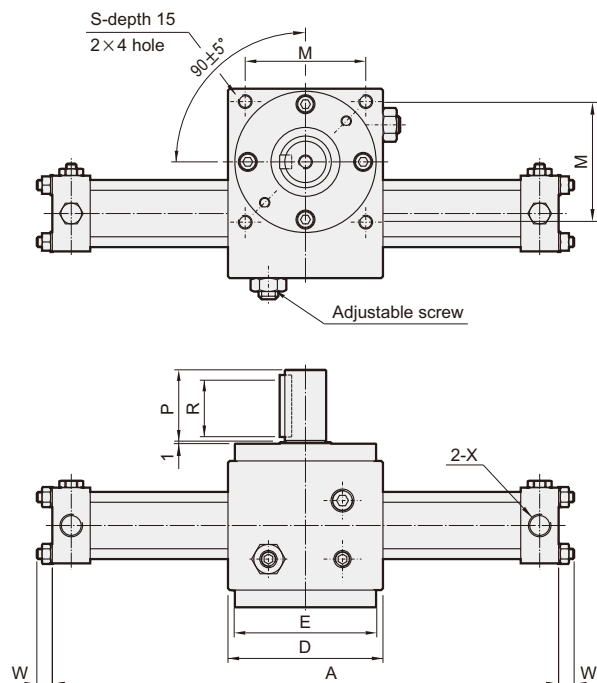


Top mounting

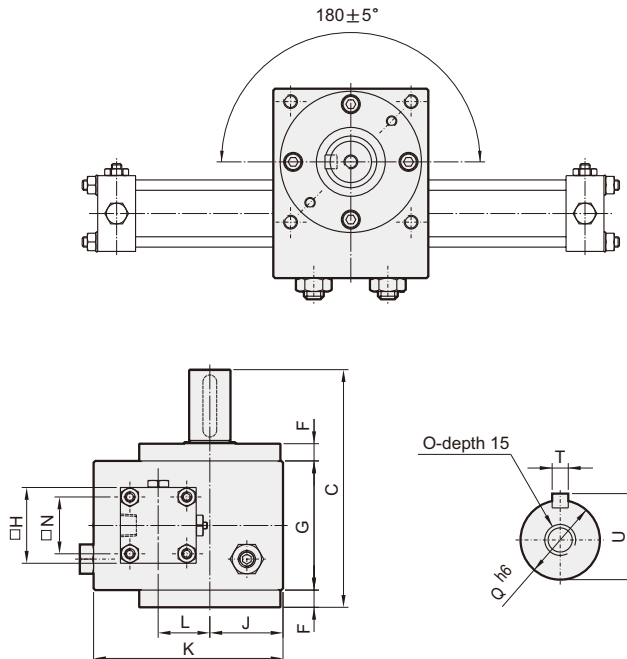
### Rotating direction and adjustable angle



### Angle of rotation 90°

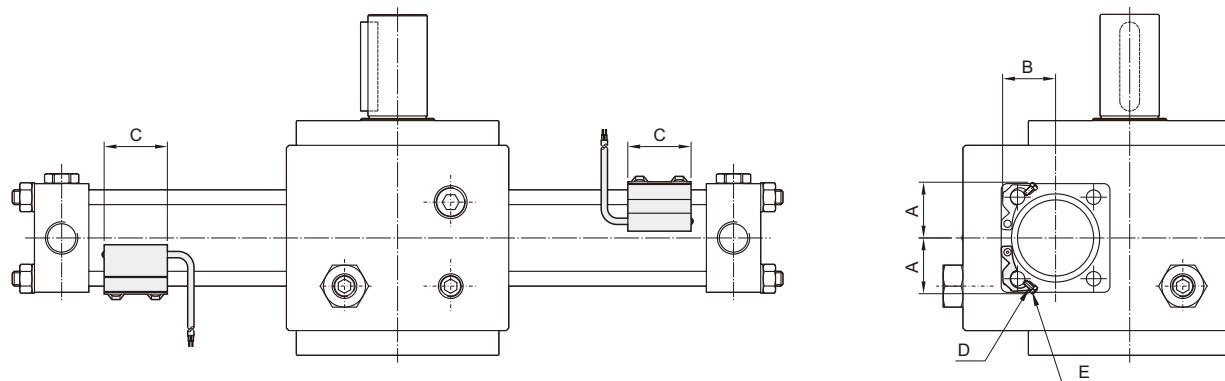


### Angle of rotation 180°



Code	A		C	D	E	F	G	H	J	K	L	M	N	O	P	Q	R	S	T	U	W	X
	90°	180°																				
$\phi 32$	286	357	138	90	82	10	75	44	42.5	110	30	70	33	M8	42	24	36	M8	8	27	9	Rc1/4
$\phi 40$	315	400	170	105	96	12	95	50	51.5	135	36	82	37	M8	50	28	45	M10	8	31	9	Rc3/8

### Installation of sensor switches



Tube I.D.	Sensor switch	A	B	C	D	E
32	LN01P	25	29	32	M4×16L	M4
40	LN01P	27	30	32	M4×16L	M4