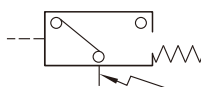




Features

- High Repeatability : $\pm 1\%$ F.S.
- Quick response : 5ms.
- Hysteresis adjustable .
- Low cost.

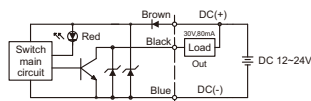
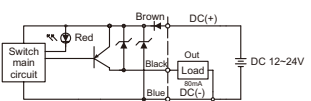
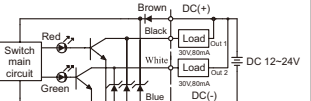
Symbol



Specification

Model		MP1-1 (Vacuum)	MP1-2 (Low pressure)	MP1-3 (Positive)
Operating /Setting pressure range		-101 to 0 kPa	0 to 100 kPa	0 to 1 MPa
Allowable pressure		500 kPa		1.5 MPa
Fluid		Air, Non-corrosive/Non-flammable gas		
Power supply voltage		12 to 24V DC $\pm 10\%$, Ripple (P-P) 10% or less		
Response time		5ms or less		
Repeatability		$\pm 1\%$ F.S.		
Current consumption		1output : NPN & PNP : 21mA MAX., 2 output : 25mA MAX.		
Environment	Enclosure	IP40		
	Ambient temp. range	Operation: 0 ~ 50°C, Storage: -20 ~ 60°C (No condensation or freezing)		
	Ambient humidity range	Operation/Storage: 35 ~ 85% RH (No condensation)		
	Withstand voltage	1000V AC in 1-min. (between case and lead wire)		
	Insulation resistance	50M Ω min. (at 500V DC, between case and lead wire)		
	Vibration	Total amplitude 1.5mm, 10Hz-55Hz-10Hz scan for 1 minute, two hours each direction of X, Y and Z		
	Shock	980m/s ² (100G), 3 times each in direction of X, Y and Z		
Temperature characteristic		$\pm 3\%$ F.S. (Standard : 25 °C)		
Port size		R1/8", M5; NPT1/8", M5; G1/8", M5.		
Weight		50g (each including 1M lead wires)		

Output specification

Model	MP1 - □ - 01	MP1 - □ - 02	MP1 - □ - 03
Connect diagram			
Output method	NPN open collector 30V 80mA	PNP open collector 80mA	NPN open collector 30V 80mA
Hysteresis	1~10% of setting pressure (Adjustable)		3% F.S. or less (Fixed)
Setting points	1Point		2Point
Operation indicating lamp	Light at ON (Red)		Light at ON (out1 Red, out2 Green)

Order example

