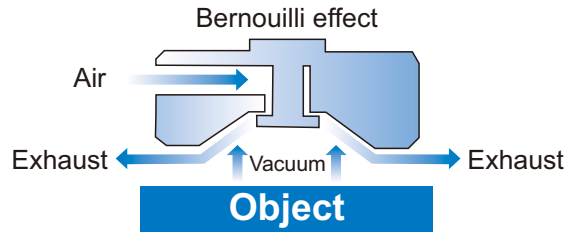


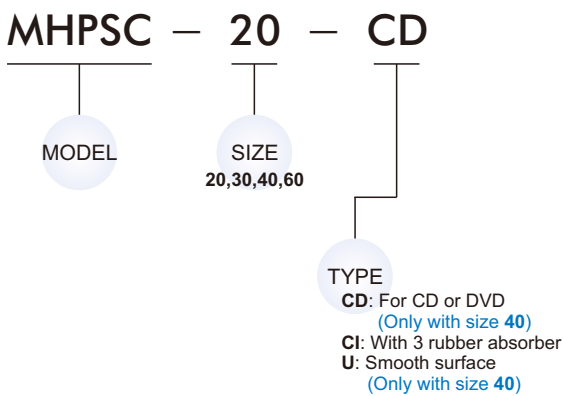


Principle



The principle of these prehension is based on the exploitation of the Bernouilli effect. A positive pressure is applied through form adequate (Insert + curve). The exhaust of this air goes through of low pressure and gets a vacuum aspiring any kind of object.

Order example

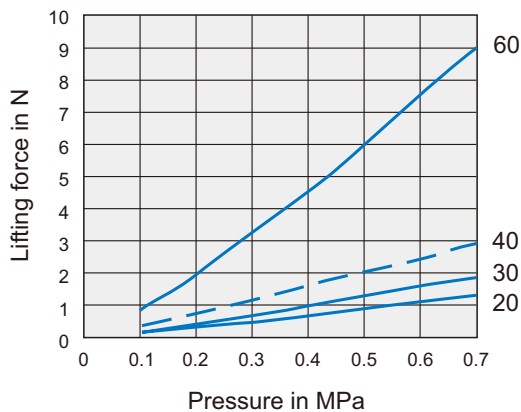


Specification

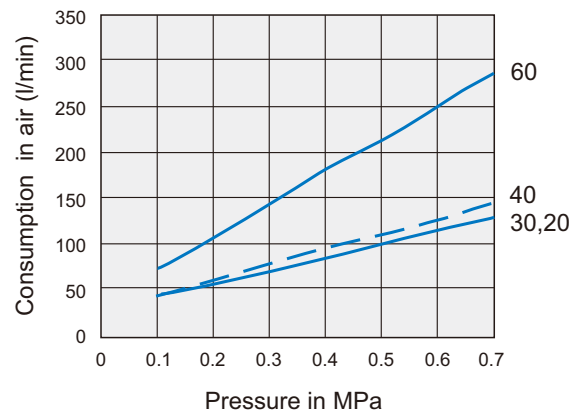
Model	MHPSC			
Size	20	30	40	60
Port size	M3	M5	M5	M5
Medium	Dry air filter 40 μ			
Consumption in air (※) l/min	100	100	110	210
Lifting force (※) in N	0.9	1.3	2	6
Operating pressure range	0.2~0.7 MPa			
Ambient temperature	+5~+60 °C			
Level of noise	25dB			
Material	Aluminum A5056 and stainless steel			
Weight	10 g	30 g	54 g	124 g

※ Indicative value for sizes 20 and 30: Pressure of 0.5 MPa with an air supply by tube ϕ 2,5x4 length:1m. for sizes 40 and 60: Pressure of 0.5 MPa with an air supply by tube ϕ 4x6 length:1m.

Lifting force

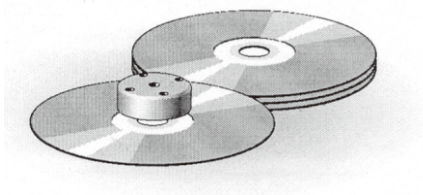


Consumption in air

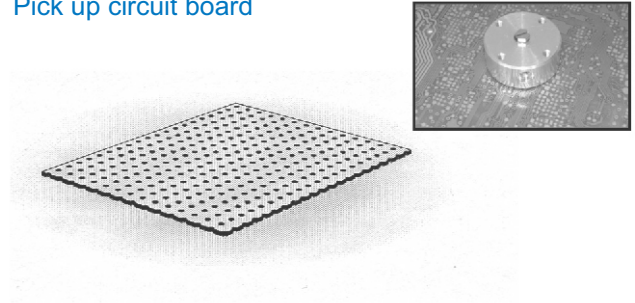


NO CONTACT TRANSFER

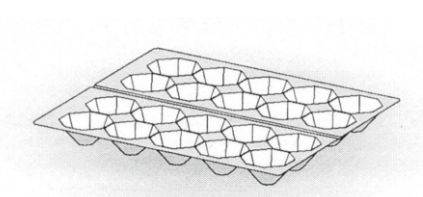
- Transfer disc, CD, DVD



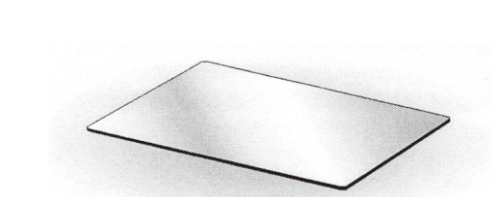
- Pick up circuit board



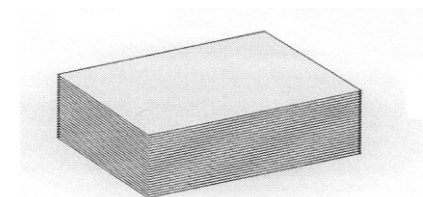
- Eggs or fruits packaging



- Glass sheet leave
(no mark on the face)

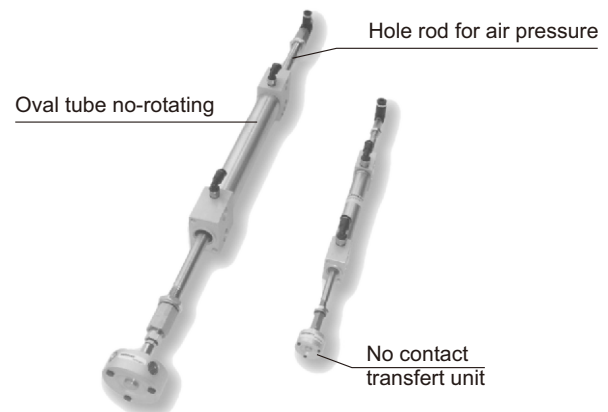
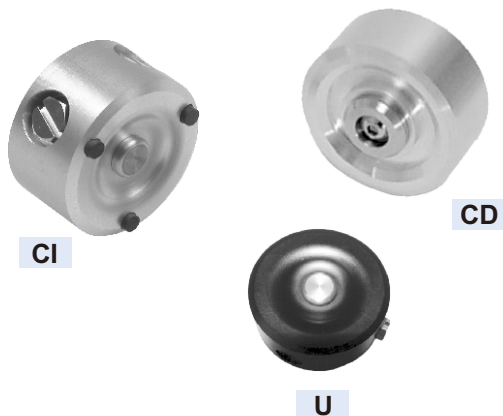


- Paper sheet with small thickness.
(Transfer sheet by sheet)

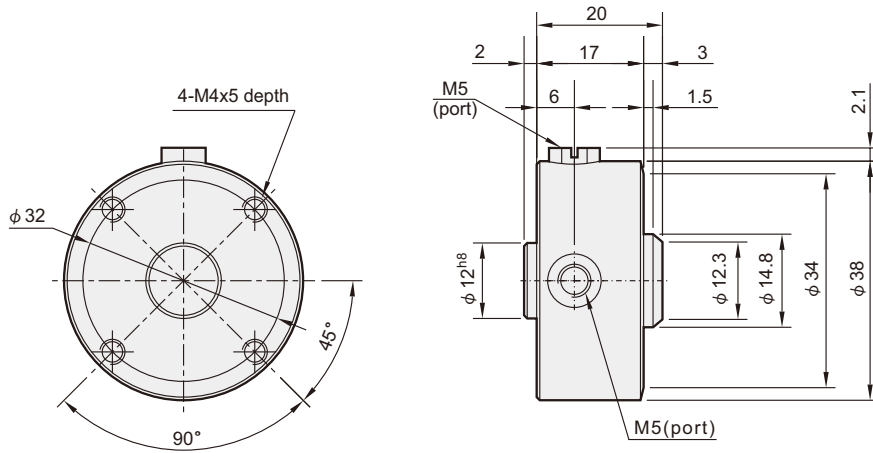


- Handling of object on concave or convex surface. Handling of biscuit, wafer, paste, pastry making, membrane, sponge, textile, mirror, etc...

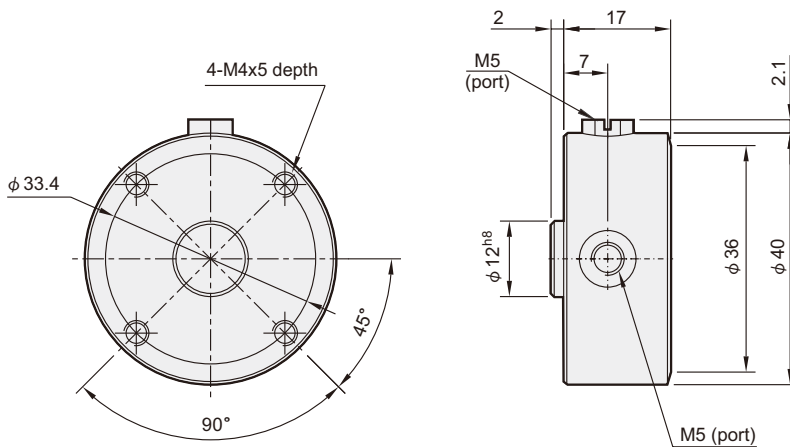
Type



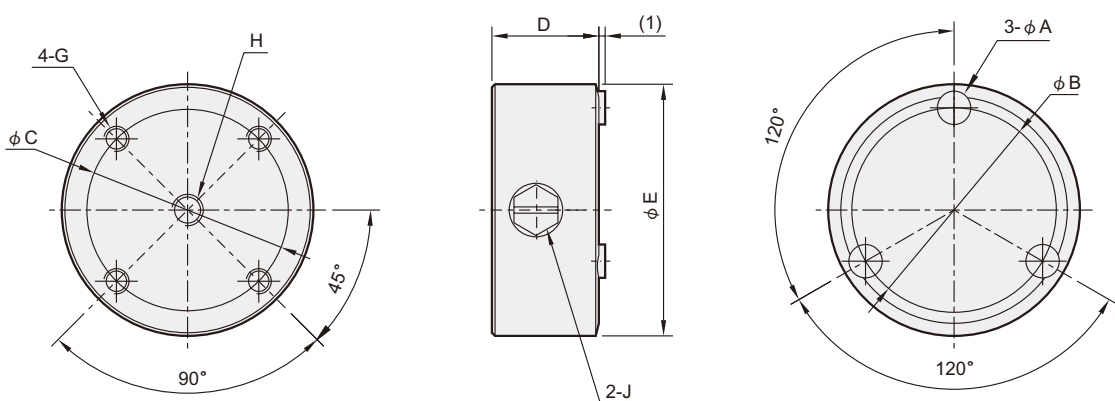
MHPSC-40CD Using for CD ro DVD (with centering part)



MHPSC-40U Smooth surface with treatment



MHPSC-**CI Prehensor with three points of contact



Code Size	A	B	C	D	E	G	H	J
20	2.2	16.6	14	12	20	M4x5	M3	Plug M3
30	3.4	24.4	22	17	30	M4x10	M5	Plug M5
40	5.3	32.5	32	17	40	M4x10	M5	Plug M5
60	5.3	48.8	44	17	60	M4x10	M5	Plug M5