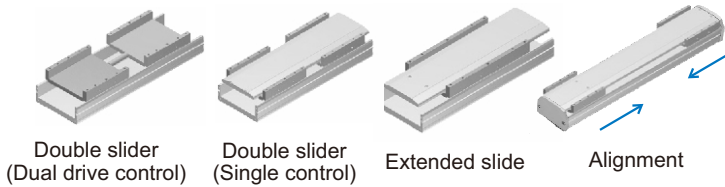
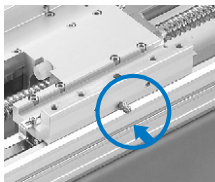


Point 1 Various slide options



Point 2 Patent oil add hold (Option)

(Industry only) Patented single grease fitting on the slide to lubricate multiple areas which can reduce maintenance overhead and time. Grease fitting can also be tailored to customer specified orientation.

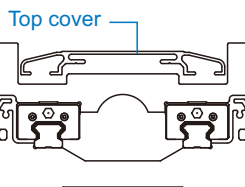


Patented grease fitting design
(Copyright)©

Point 3 High rigidity body and cover

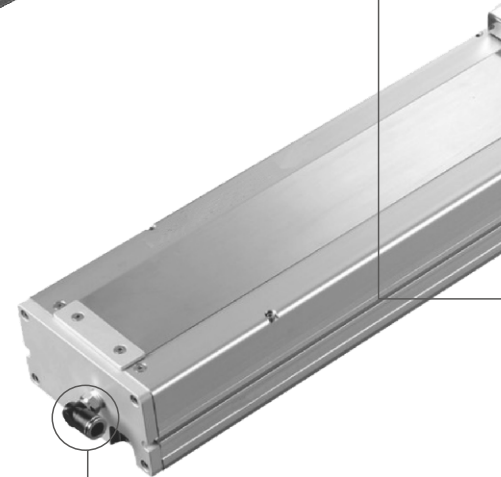
High rigidity mainframe and cover

One piece extruded aluminum structure for optimal rigidity and weight ratio.

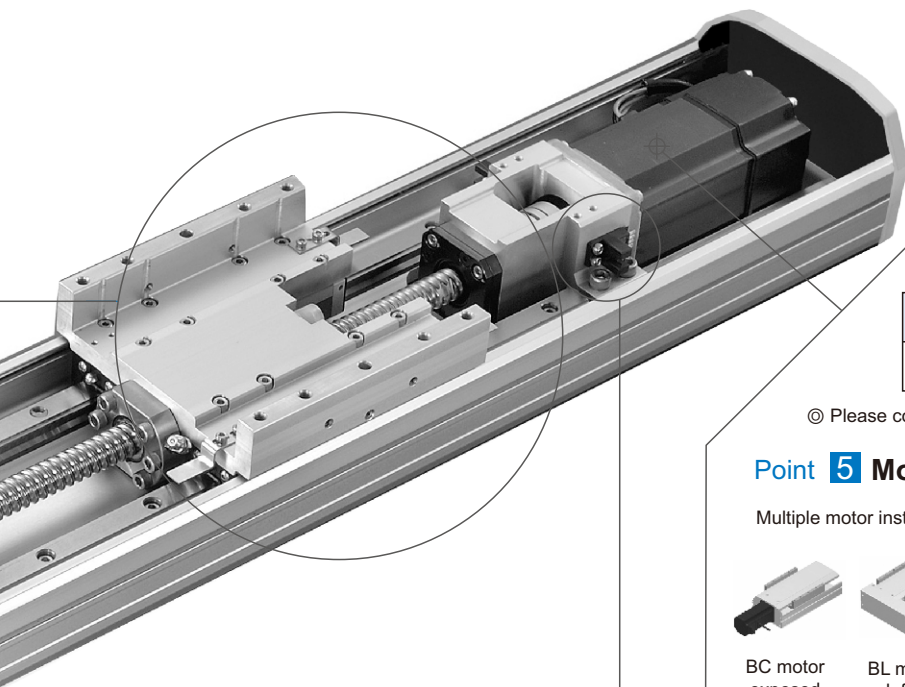


Torsion resist top lid

Special torsion-resistant top lid design to prevent deformation during long stroke.



Clean room type
CLASS10~1000
Vacuum connector for clean room use.



Point 4 Motor brand

Customer specified servo motor.

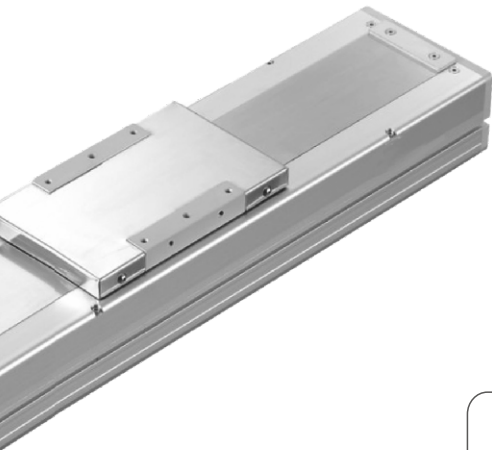
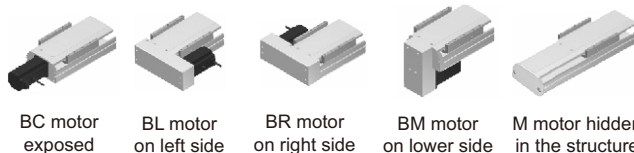
Standard suitable motor brands

Mitsubishi	Panasonic	Yaskawa	Delta
------------	-----------	---------	-------

© Please consult our sales personnel for other motor specifications.

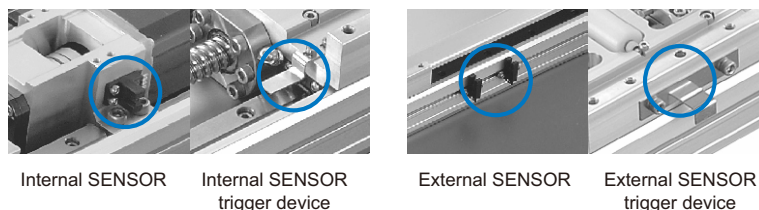
Point 5 Motor assembly location

Multiple motor installation positions for added flexibility in tool design.



Point 6 Sensor location

Optional internal or external SENSOR locations.



Point 7 Ball screw brand and lead

Can customize screw specification and brand to match different precision and speed.

Screw lead pitch	
05	5 mm
10	10 mm
16	16 mm
20	20 mm
25	25 mm
40	40 mm