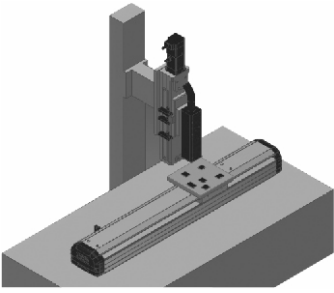
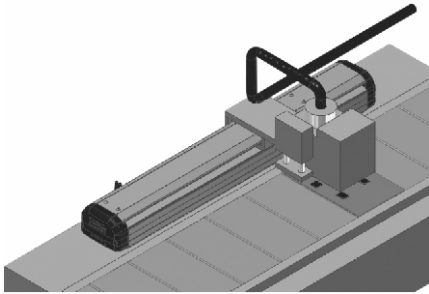
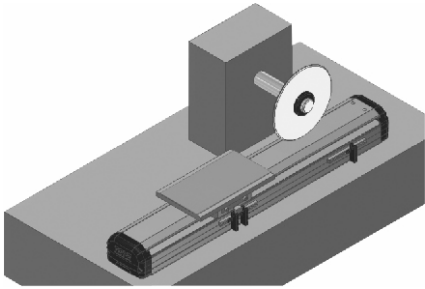
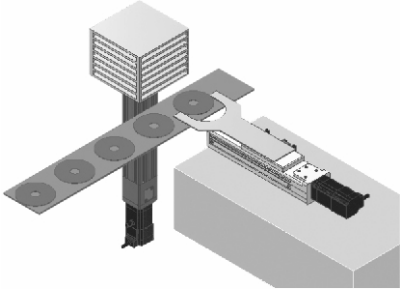


Applications for single axis

SLIDER ELECTRIC CYLINDER - BALL SCREW DRIVE



Suitable industry: PCB/CD/DVD

<p>Spray-Printing device for PCB substrate boards</p> 	<p>Surface cleaning device for circuit boards</p> 
<p>Fixes the substrate board onto the electric cylinder. Use the character of equal-speed sliding to execute the spray printing.</p> <p>Use specifications METS-12 / METS-14 / METSC-12 / METSC-13</p>	<p>Fixes the plasma on to the motor slide and moves back and forth on top of the conveyor to clean surface for circuit boards.</p> <p>Use specifications METS-12 / METS-14 / METSC-12 / METSC-13</p>
<p>Cutting device for PCB circuit boards</p> 	<p>Compact disc receiving device</p> 
<p>Place the PCB board on the electric cylinder and do the cutting by using external cutting devices.</p> <p>Use specifications METS-12 / METS-14 / METS-17 METSC-12 / METSC-13</p>	<p>Use the feature "multi-positioning" of electric cylinder to do loading and unloading of the disc box.</p> <p>Use specifications METS-6M / METS-12 / METS-14 METSC-6 / METSC-12 / MEQYC-65</p>

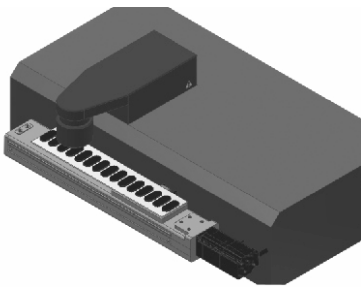
Applications for single axis

SLIDER ELECTRIC CYLINDER - BALL SCREW DRIVE



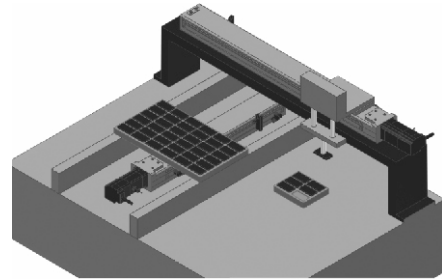
Suitable industry: Semi-conductor/Packaging/Testing

IC printer device



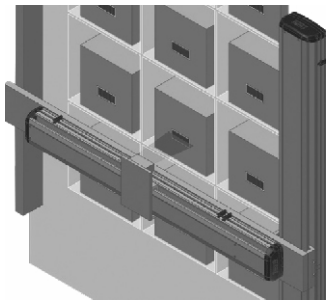
Place the IC device on the electric cylinder. Use the character of equal-speed sliding and capable to adapt servo motor and stepping motor to execute the laser printing.
Use specifications
METS-6M / METS-10 / METSC-6 / METSC-10

Aligning device for pick-and-place of IC boards



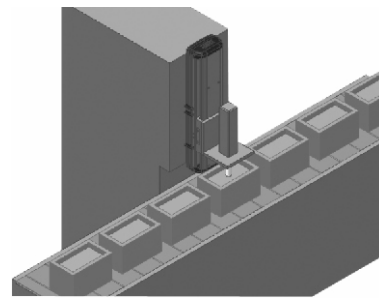
Install two single electric cylinder to combine a simple IC pick-and-place system.
Use specifications
METS-6M / METS-10 / METS-14
METSC-6 / METSC-10 / METSC-13

Barcode scanning device



Install the X-Y multi-axis system to automated warehouse to execute the scanning of barcode.
Use specifications
METS-14 / METS-17 / METS-22
METSC-10 / METSC-12 / METSC-13

Fillings device



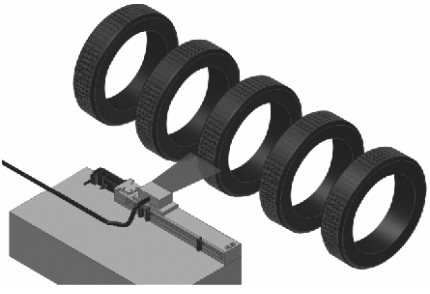
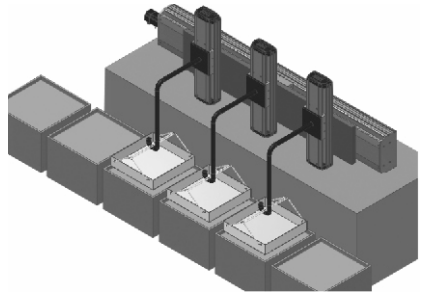
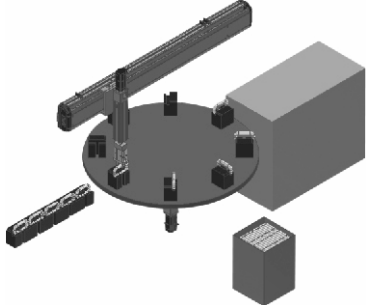
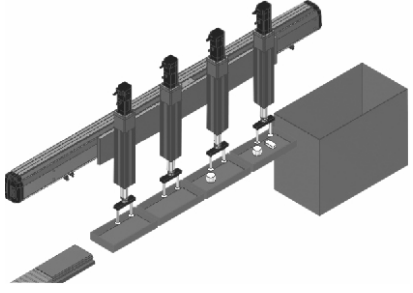
In order to adapt to filling of different products, we can execute the filling at different height of position by programmable feature.
Use specifications
METS-6M / METS-12 / METS-14
METSC-5 / METSC-12 / METSC-13

Applications for single axis

SLIDER ELECTRIC CYLINDER - BALL SCREW DRIVE



Suitable industry: Automotive/Component processing/Assembling/Surface processing/
Mobile phones

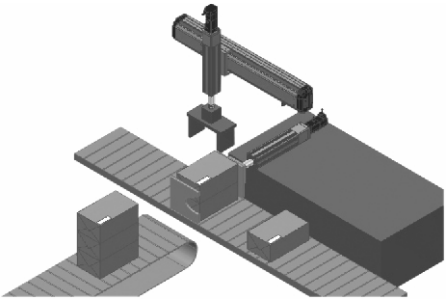
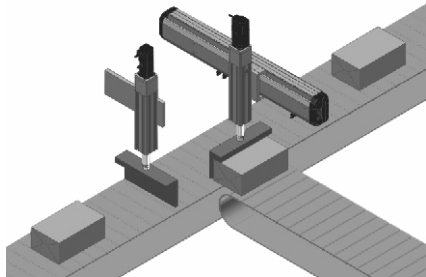
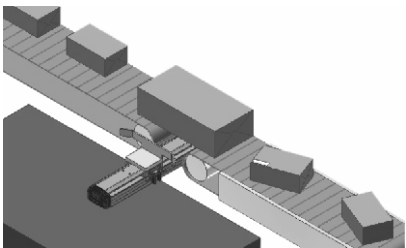
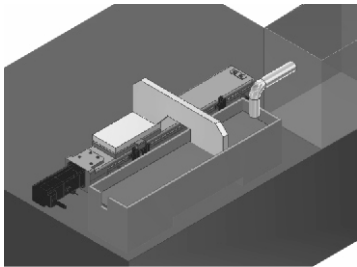
<p>Tire surface check machine</p> 	<p>Mobile device for surface processing</p> 
<p>Mount the C.C.D on the electric cylinder. Use the character of equal-speed sliding to check the defects on the tire surface and report to the on-site worker immediately.</p> <p>Use specifications METS-6M / METS-10 / METS-12 METSC-5 / METSC-10 / METSC-12</p>	<p>Mount the working piece on the electric cylinder and dip it into the solvents. Use the character of moving up and down, left and right at high speed to do the surface treatment processing.</p> <p>Use specifications METS-14 / METS-17 / METS-22 METSC-10 / METSC-12 / METSC-13</p>
<p>Assembling device on disc machine</p> 	<p>Assembling device for small components</p> 
<p>Install two single electric cylinders to combine an X-Y system. Then mount it onto the disc machine to do the components assembly</p> <p>Use specifications METS-12 / METS-14 / METSC-12 / MEQYC-50</p>	<p>Use the feature multi-positioning of the electric cylinder to drive the sucker and cylinder to do the assembly of small components.</p> <p>Use specifications METS-6M / METS-10 / METS-12 METSC-12 / MEQYC-50</p>

Applications for single axis

SLIDER ELECTRIC CYLINDER - BALL SCREW DRIVE



Suitable industry: Traditional manufacturing/Food/Raw material

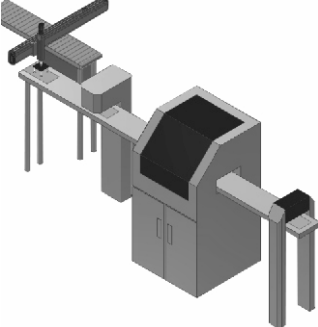
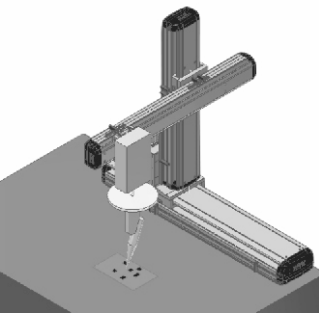
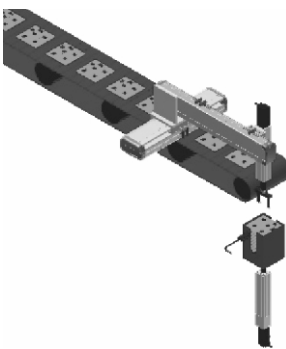
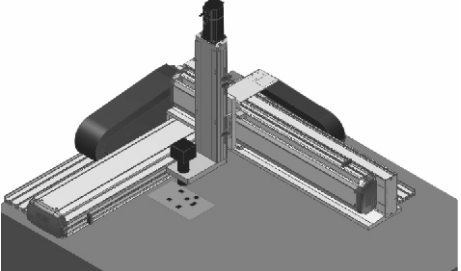
<p>Conveyance device for assembly lines</p> 	<p>Separator device for assembly lines</p> 
<p>Utilizes uniaxial motor slides to assemble into a XY mechanism and performs conveyance of items on top of the conveyor</p> <p>.Use specifications METS-12 / METS-14 / METS-17</p>	<p>Utilizes motor slides to categorize products on the assembly line with conveyors.</p> <p>Use specifications METS-12 / METS-14</p>
<p>Aligning device for packaging</p> 	<p>Leveling mechanism for solvent surfaces</p> 
<p>Utilizes slides with servo motors to align products of different sizes on the moving conveyors, which substantially saves the working time.</p> <p>Use specifications METS-12 / METS-14 / METS-17</p>	<p>Utilizes the characteristics of motor slides moving at equal speeds to level the surface of glutinous solvents.</p> <p>Use specifications METS-6M</p>

Applications for multi axis

SLIDER ELECTRIC CYLINDER - BALL SCREW DRIVE



Suitable industry: PCB circuit boards

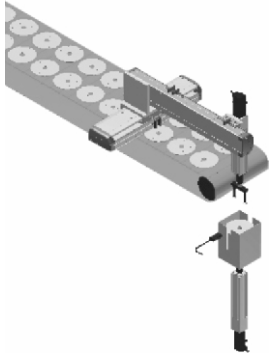
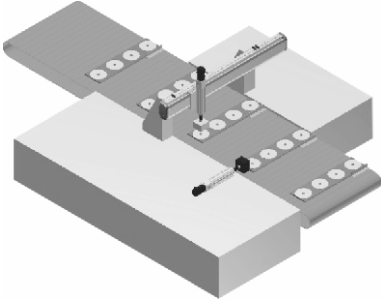
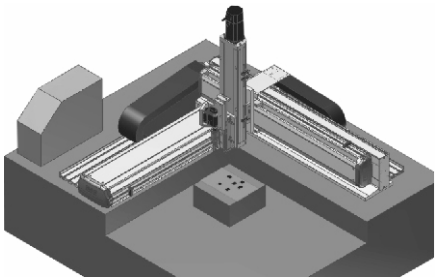
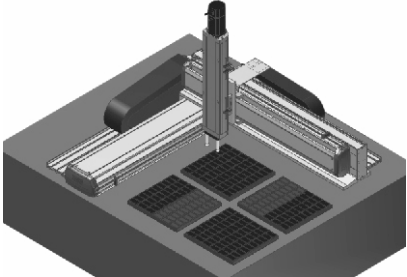
<p>Conveyance device for circuit boards</p> 	<p>Auto-soldering device</p> 
<p>Assembles two uniaxial motor slides into a X-Z biaxial mechanism and conveys the circuit board across left and right as well as up and down.</p> <p>Use specifications X axis METS-14 / Z axis METS-12</p>	<p>Fixes soldering device onto the X-Y-Z axes assembled from uniaxial motor slides, which can solder for circuit board components.</p> <p>Use specifications X axis METS-14 / Y axis METS-12 / Z axis METS-14</p>
<p>Piling device for circuit boards</p> 	<p>Visual checking device for CCD imaging</p> 
<p>Utilizes uniaxial motor slides to assemble into X-Y-Z axes, which can be used on receiver mechanism for circuit board assembly lines.</p> <p>Use specifications X axis METS-14 / Y axis METS-12 / Z axis METS-6M</p>	<p>Fixes the visual system onto the X-Y-Z axes and performs AOI checks on the appearance of PCB boards.</p> <p>Use specifications X axis METS-14 / Y axis METS-12 / Z axis METS-6M</p>

Applications for multi axis

SLIDER ELECTRIC CYLINDER - BALL SCREW DRIVE



Suitable industry: CD/DVD/Mobile phones

<p>Piling device for compact discs</p> 	<p>Ultra-violet exposure device for compact discs</p> 
<p>Utilizes uniaxial motor slides to assemble into a X-Y-Z axes, which can be used on receiver mechanism for compact disc assembly lines.</p> <p>Use specifications X axis METS-14 / Y axis METS-10 / Z axis METS-6M</p>	<p>Utilizes uniaxial motor slides to assemble into a X-Z bi-axial mechanism, which can be used on ultra-violet exposure devices for compact discs.</p> <p>Use specifications X axis METS-12 / Z axis METS-6M</p>
<p>Screw-tightening device</p> 	<p>Pick-and-place device for small components</p> 
<p>Utilizes the X-Y-axis mechanism for pick-and-place of screws.</p> <p>Use specifications X axis METS-12 / Y axis METS-6M</p>	<p>Utilizes uniaxial motor slides to assemble into X-Y-Z axes, which can be used on pick-and-place devices for small components.</p> <p>Use specifications X axis METS-14 / Y axis METS-12 / Z axis METS-6M</p>

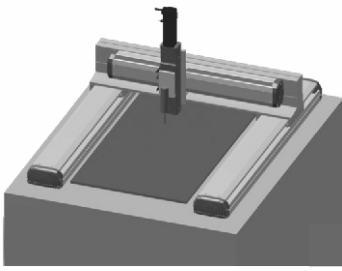
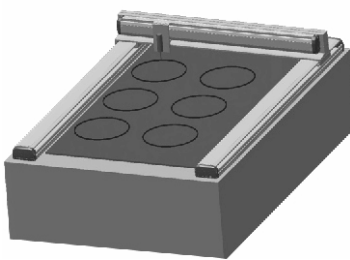
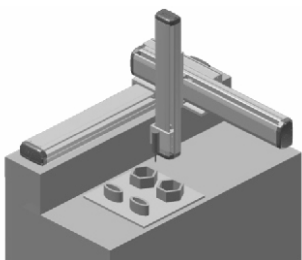
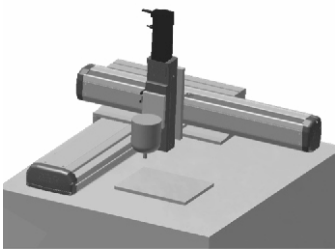
Applications for multi axis

SLIDER ELECTRIC CYLINDER - BALL SCREW DRIVE



Mindman

Suitable industry: LCD/Automotive

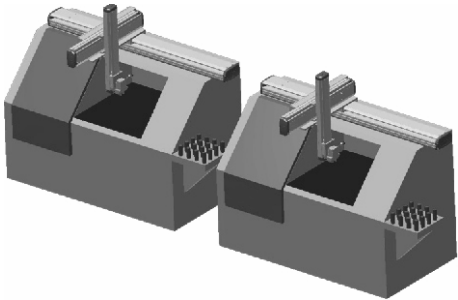
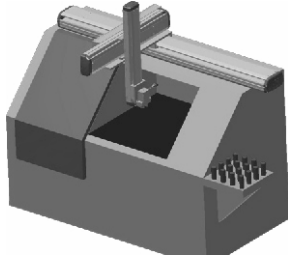
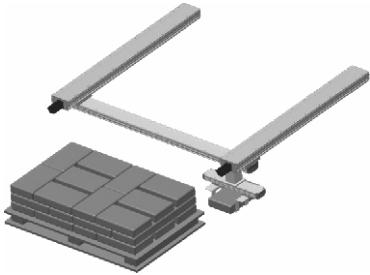
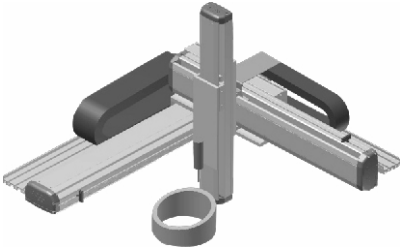
<p>Rubberizing device for large-size LCD glass substrate boards.</p> 	<p>Cutting for glass substrate boards</p> 
<p>Utilizes two synchronous X-axis motor slides and one Y-axis slide along with Z-axis to assemble into one package of high-speed rubberizing devices for LCD glass substrate boards.</p> <p>Use specifications X axis METS-14-Two / Y axis METS-12 / Z axis METS-6M</p>	<p>Utilizes two synchronous X-axis motor slides with one Y-axis slide to assemble into one package of simple cutting mechanism for glass boards.</p> <p>Use specifications X axis METS-17-Two / Y axis METS-14</p>
<p>Coating device for various small components</p> 	<p>Mobile device for spray coating</p> 
<p>Assembles three uniaxial motor slides into a X-Y-Z mechanism that can perform dispensing and rubberizing operations with costs way cheaper than one rubberizing machine and utilize the rubberizing operation on the assembly line.</p> <p>Use specifications X axis METS-14, 17 / Y axis METS-12, 14 / Z axis METS-6M, 10</p>	<p>Utilizes X-Y-Z axes to clean or spray coating.</p> <p>Use specifications X axis METS-14, 17 / Y axis METS-12, 14 / Z axis METS-6M, 10</p>

Applications for multi axis

SLIDER ELECTRIC CYLINDER - BALL SCREW DRIVE



Suitable industry: Machine processing/Solar/Food

<p>Pick-and-place device for processed parts from machine tools</p> 	<p>Pick-and-place device for processed parts from machine tools</p> 
<p>Utilizes uniaxial motor slides to assemble into X-Y-Z axes that can be installed onto two or three CNC machine tools as the pick-and-place mechanism for loading and unloading of processed parts from multiple processing.</p> <p>Use specifications X axis METS-22 / Y axis METS-17 / Z axis METS-14</p>	<p>Utilizes uniaxial motor slides to assemble into a X-Y-Z axes that can be installed onto CNC machine tools as the pick-and-place mechanism for loading and unloading of processed parts, with a cost saving more than 6-axis mechanical arms.</p> <p>Use specifications X axis METS-22 / Y axis METS-17 / Z axis METS-14</p>
<p>Conveyance device for large items</p> 	<p>3-Dimensional rubberizing device</p> 
<p>Utilizes two synchronous X-axis motor slides with one Y-axis motor slide to assemble into one package of conveyance device for large-size items, with a cost saving more than 6-axis mechanical arms.</p> <p>Use specifications X axis METS-22-Two / Y axis METS-17</p>	<p>Utilizes X-Y-Z axes to assemble into a cantilever rubberizing mechanism that can perform 3-dimensional rubberizing.</p> <p>Use specifications X axis METS-14, 17 / Y axis METS-12, 14 / Z axis METS-6M, 10</p>