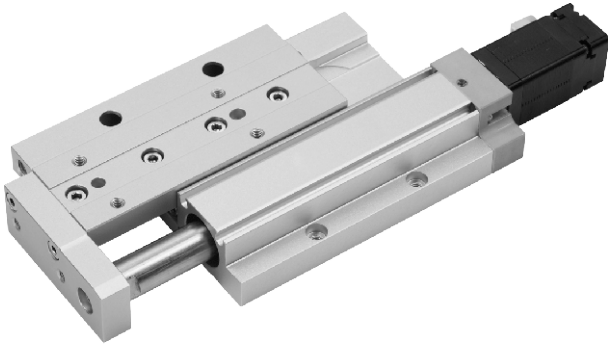


# MESF-20 series

MINIATURE ELECTRIC CYLINDER (WITH MOTOR)



Mindman

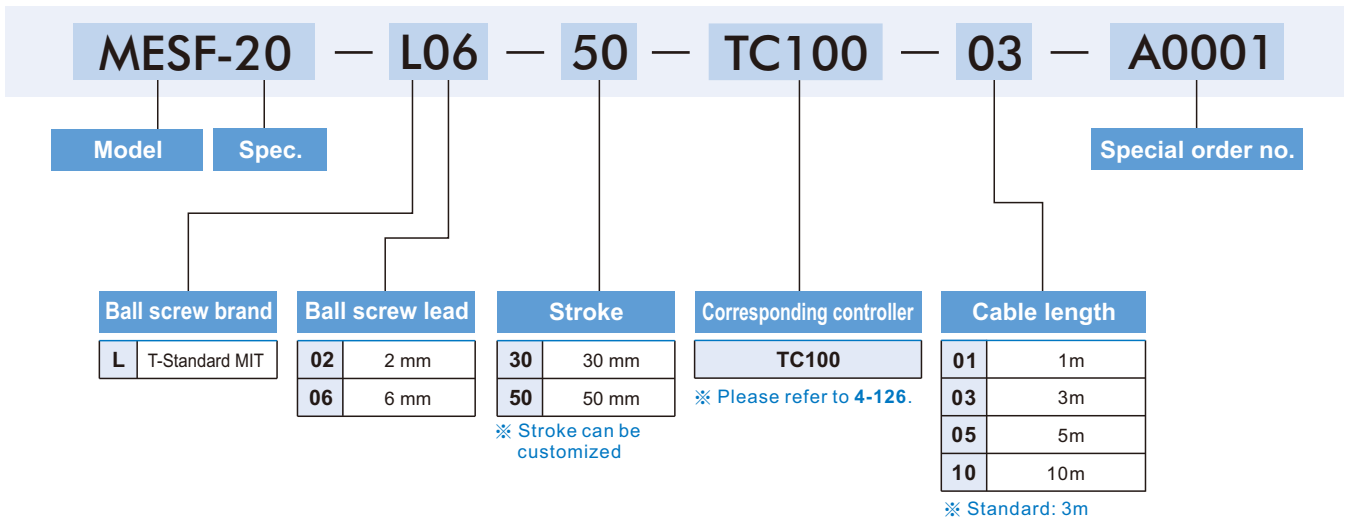


## Specification

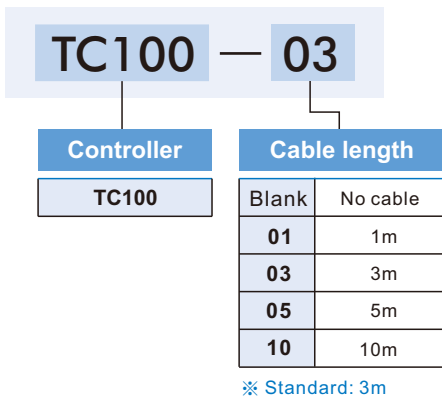
Model	MESF-20	
Repeatability (mm)	±0.02	
Ball screw lead (mm)	2	6
Maximum speed (mm/s) <sup>※</sup>	50	250
Maximum payload	Horizontal(kg)	6
	Vertical (kg)	2
Rated thrust (N)	466	75
Stroke (mm)	30 / 50	
Motor dimension (mm)	□ 25	
Ball screw spec (mm)	C10 φ 6	

※ The maximum speed shown here is when software speed setting is 100%.

## Order example of cylinder

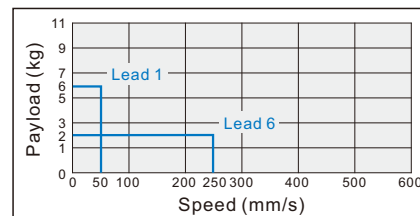


## Order example of controller

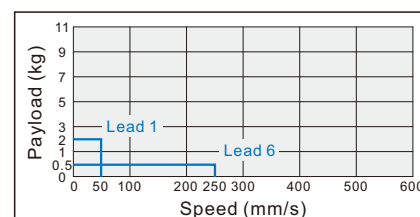


## Speed-payload curve diagram

Horizontal

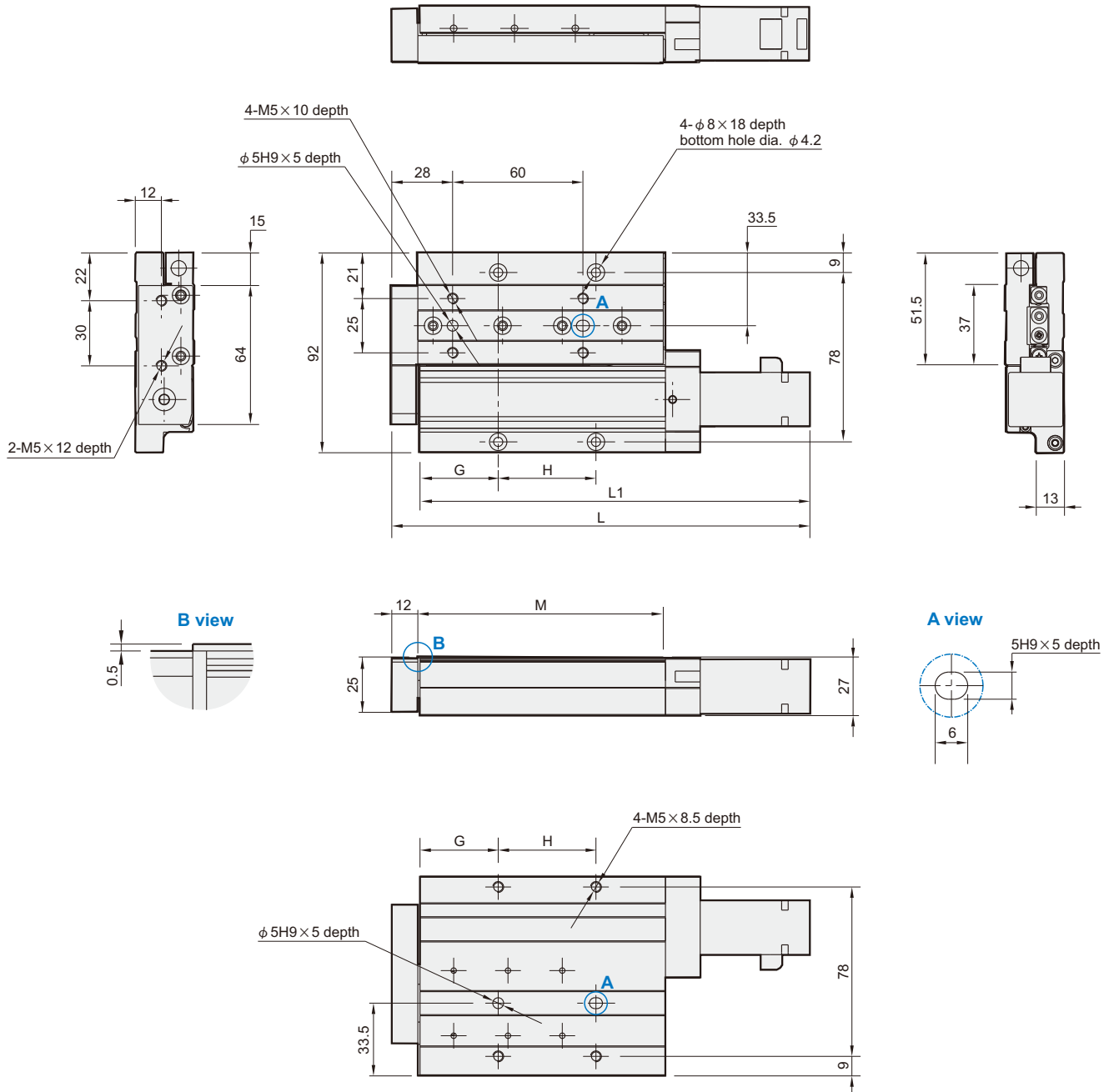


Vertical



# MESF-20 Dimensions

## MINIATURE ELECTRIC CYLINDER (WITH MOTOR)



Unit: mm

Stroke	L	L1	G	H	M	Weight(g)
30	170.5	157.5	29	30	91	742
50	192.5	179.5	36	45	113	1058