

MEQYC-65D series

ROD ELECTRIC CYLINDER - BALL SCREW DRIVE (WITH MOTOR)



Mindman



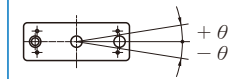
Specification

Model	MEQYC-65D			
Repeatability (mm)	±0.01			
Ball screw lead (mm)	5	10	20	
Maximum speed (mm/s) ^{※1}	250	500	1000	
Maximum payload	Horizontal(kg)	110	88	40
	Vertical (kg)	30	20	10
Rated thrust (N)	791	395	197	
Stroke / pitch (mm) ^{※2}	50~500 / 50 Pitch			
Motor dimension (mm)	□ 56			
Ball screw spec (mm)	C7 φ 16			
Anti-rotating accuracy (θ) ^{※3}	±0.05°			

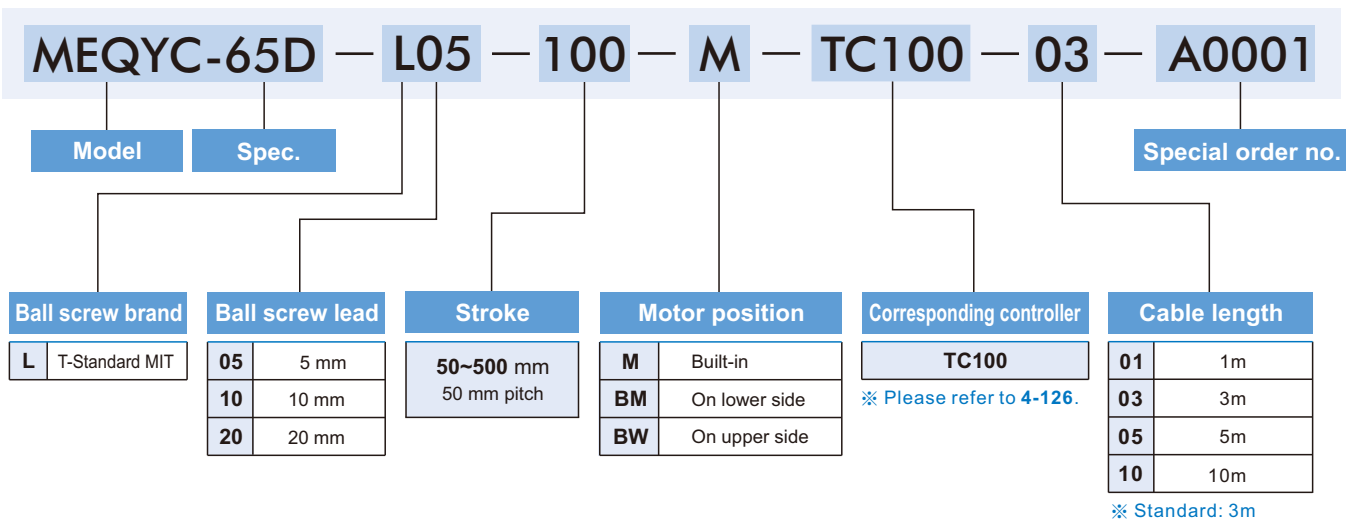
※1.The maximum speed shown here is when software speed setting is 100%.

※2.When the stroke is over 300mm, the run-out of the ball screw will occur. We recommend to low down the working speed under this circumstances.

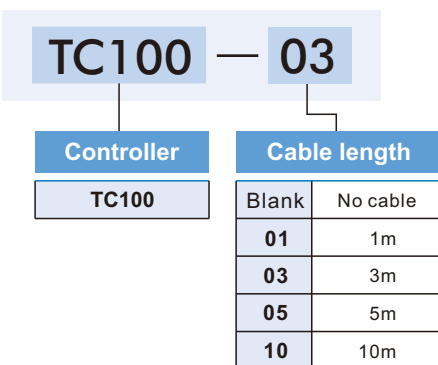
※3. Anti-rotating accuracy of plate



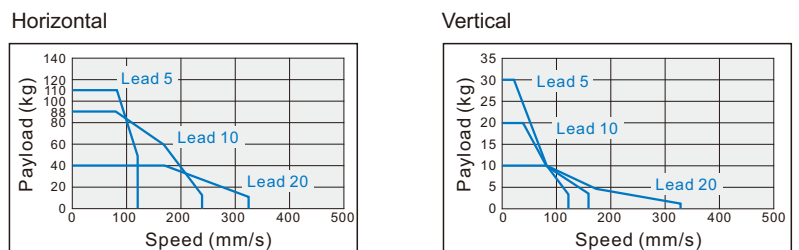
Order example of cylinder



Order example of controller



Speed-payload curve diagram



MEQYC-65D Dimensions

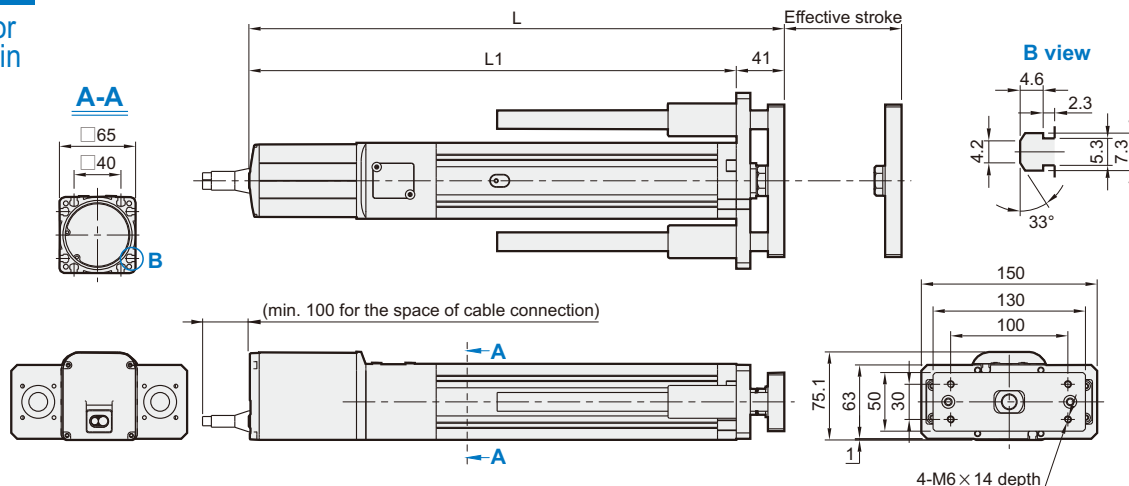
ROD ELECTRIC CYLINDER - BALL SCREW DRIVE (WITH MOTOR)



Mindman

M

Motor built-in

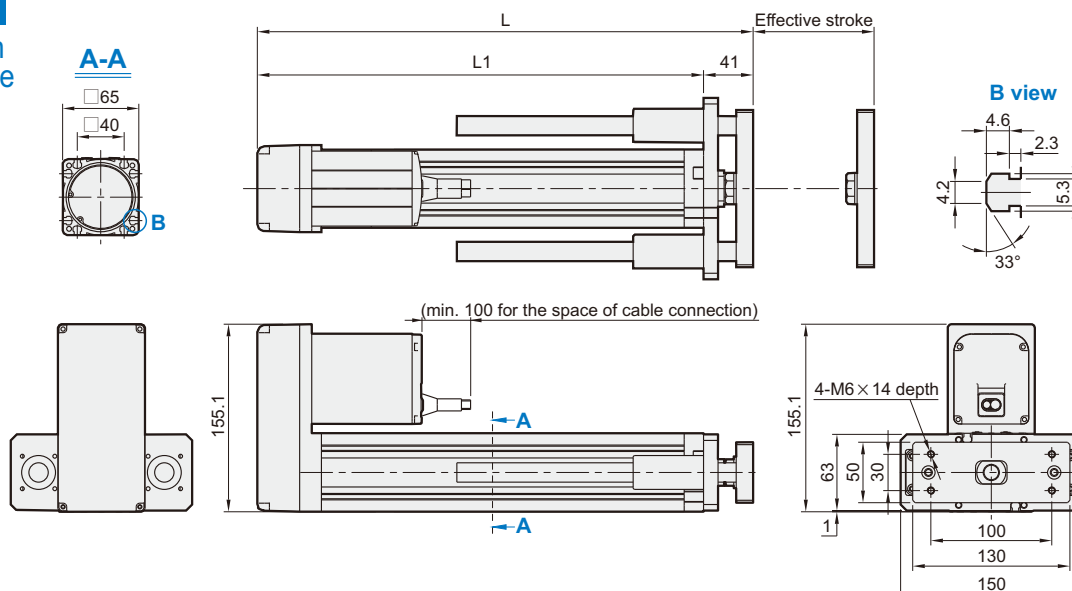


Unit: mm

Stroke	50	100	150	200	250	300	350	400	450	500
L	407	457	507	557	607	657	707	757	807	857
L1	366	416	466	516	566	616	666	716	766	815
KG	6	6.26	6.52	6.78	7.03	7.29	7.55	7.81	8.07	8.32

BW

Motor on upper side



Unit: mm

Stroke	50	100	150	200	250	300	350	400	450	500
L	298	348	398	448	498	548	598	648	698	748
L1	257	307	357	407	457	507	557	607	657	707
KG	6.5	6.76	7.02	7.28	7.53	7.79	8.05	8.31	8.57	8.82

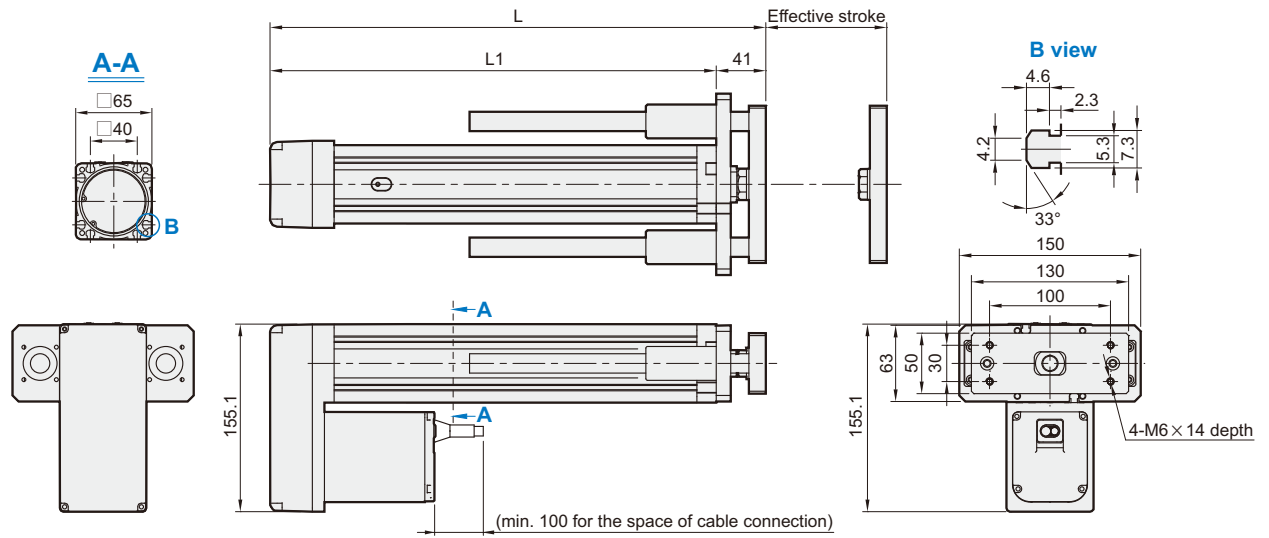
MEQYC-65D Dimensions

ROD ELECTRIC CYLINDER - BALL SCREW DRIVE (WITH MOTOR)



BM

Motor on lower side



Unit: mm

Stroke	50	100	150	200	250	300	350	400	450	500
L	298	348	398	448	498	548	598	648	698	748
L1	257	307	357	407	457	507	557	607	657	707
KG	6.5	6.76	7.02	7.28	7.53	7.79	8.05	8.31	8.57	8.82