

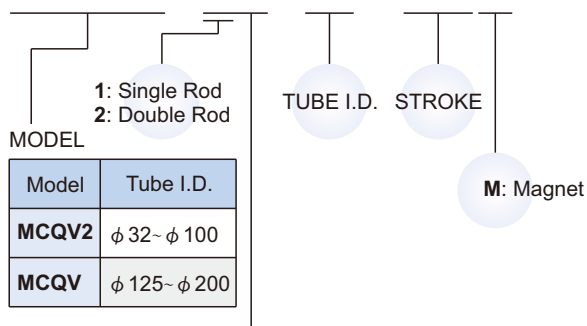
Table for standard stroke

Tube I.D.	Stroke (mm)
φ 32,40	50,75,100,125,150,175,200,250,300,350,400,450,500
φ 50,63	↑ 600
φ 80,100,125,160	↑ 600,700
φ 200	↑ 600,700,800,900,1000,1500




- Stroke out of specification is also available.
- Please consult us if stroke out of specification.

### Order example

MCQV2 – 11 – 40 – 100M



### STYLE

Code	Symbol	Description
1 1		Double acting / Male thread
2 1		Double rod / Male thread
2 7		Double rod / Adjustable male thread(※)

- ※ Please mark "adjustable distance(mm)" at order list.
- ※ Order example for special specification, refer to page 0-7.
- ※ Order example for Rc or NPT thread please consult us.

### Features

#### ■ Non lubrication

Special housing and bushing enables self lubrication of piston rod.

#### ■ High quality long service life

Hard anodised aluminium cylinder tubes offer a high resistance to corrosion and low internal friction.

#### ■ ISO-VDMA standard specification

Conforms to ISO-6431 and VDMA 24562 specification enabling worldwide interchangeability.

#### ■ Cylinder mountings

Available with comprehensive internationally recognised range of fixed and flexible mountings.

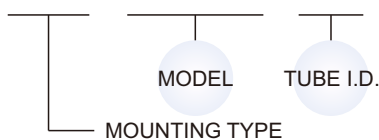
### Specification





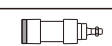
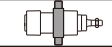






Model	MCQV2			MCQV		
Tube I.D. (mm)	32,40	50,63	80,100	125	160	200
Medium	Air					
Operating pressure range	0.05~1 MPa					
Proof pressure	1.5 MPa					
Ambient temperature	-5~+60°C (No freezing)					
Available speed range	50~500 mm/sec					
Sensor switch (※)	RCA					
Sensor switch holder	HV1	HV2	HV3	HV4	PM16	HA5V

※ RCA specification, please refer to page 8-6.

### Mounting accessories

FAC – MCQV – 40



	LB
	CA
	CB
	CDB (+CB+Pin)
	FAC
	FBC
	TA
	TB
	TC
	Y
	I
	YS (Y+Floating pin)

※ for φ 32~φ 100

※ for φ 32~φ 100

# MCQV-11 Inside structure & Parts list

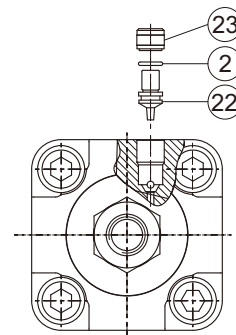
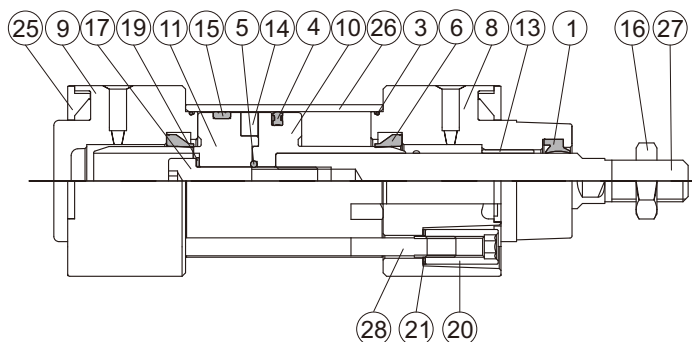
ISO-VDMA STANDARD CYLINDER



Mindman

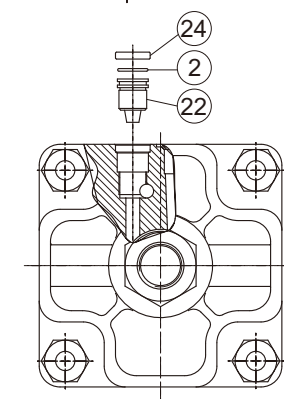
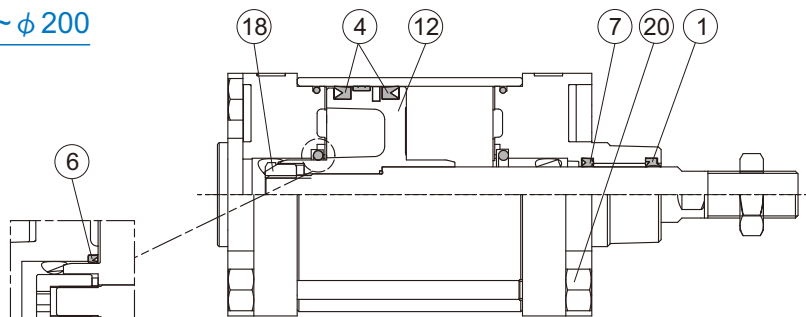
## Single rod 11 type

$\phi$  32~  $\phi$  100



$\phi$  125~  $\phi$  200

$\phi$  200



No.	Part name	Material	Q'y	Component parts (inclusion)		Repair kits (inclusion)		Note
				$\phi$ 32~ $\phi$ 100	$\phi$ 125~ $\phi$ 200	$\phi$ 32~ $\phi$ 100	$\phi$ 125~ $\phi$ 200	
01	Rod packing	NBR	1	●	●	●	●	
02	O-ring	NBR	2	●	●	●	●	
03	O-ring	NBR	2	●	●	●	●	
04	Piston packing	NBR	1 or 2	●	●	●	●	$\phi$ 125~ $\phi$ 200 (Q'y 2)
05	O-ring	NBR	1	●	●	●	●	
06	Cushion packing	NBR	2	●	●	●	● (※)	
07	Rod packing	NBR	1		●		●	
08	Rod cover	Aluminum alloy	1	●	●			
09	Head cover	Aluminum alloy	1	●	●			
10	Piston-R	Aluminum alloy	1	●				
11	Piston-H	Aluminum alloy	1	●				
12	Piston	Aluminum alloy	1		●			
13	Bush	Bearing alloy	1	●	●			
14	Magnet ring	Magnet material	1	◎	◎			◎ Option
15	Wear ring	Teflon	1	●	●			
16	Nut	Carbon steel	1	●	●			
17	Bolt	Carbon steel	1	●				
18	Piston nut	Carbon steel	1		●			
19	Washer	Carbon steel	1	●	●			$\phi$ 32 does not contain item #19
20	Tie rod nut	Carbon steel	8	●	●			
21	Tie rod washer	Carbon steel	8	●				
22	Needle valve	Copper alloy	2	●	●			
23	Insert nut	Copper alloy	2	●				
24	Needle valve washer	Carbon steel	2		●			
25	Cover plate	Plastic	2	●				
26	Cylinder tube	Aluminum alloy	1					
27	Piston rod	Carbon steel	1					
28	Tie rod	Carbon steel	4					

※ Cushion packing is not included in  $\phi$  200 repair kits.

# MCQV-2\* Inside structure & Parts list

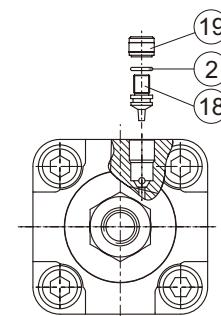
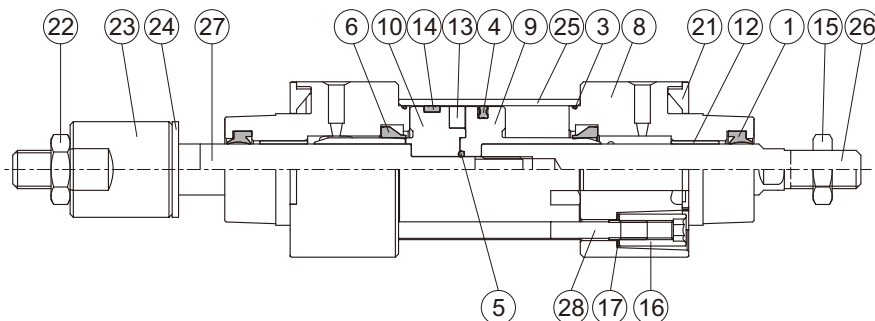
ISO-VDMA STANDARD CYLINDER



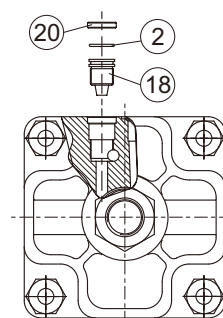
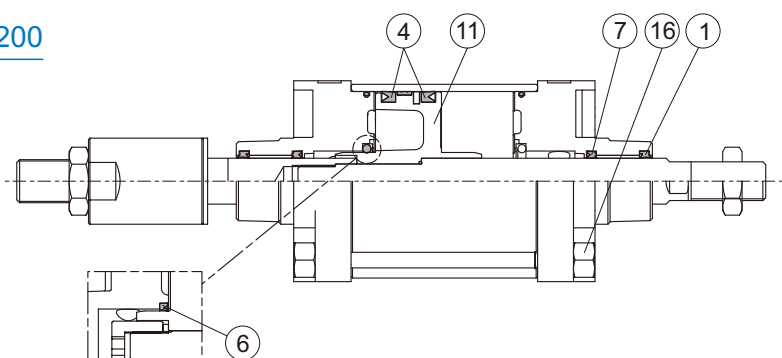
Mindman

## Double rod 21 / 27 type

$\phi$  32~  $\phi$  100



$\phi$  125~  $\phi$  200



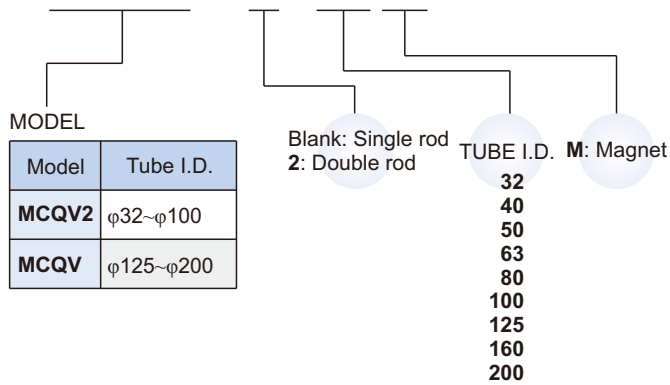
$\phi$  200

No.	21 type		27 type		Part name	Material	Q'y	Component parts (inclusion)		Repair kits (inclusion)		Note
	A	B	A	B				$\phi$ 40~ $\phi$ 100	$\phi$ 125~ $\phi$ 200	$\phi$ 40~ $\phi$ 100	$\phi$ 125~ $\phi$ 200	
01	●	●	●	●	Rod packing	NBR	2	●	●	●	●	
02	●	●	●	●	O-ring	NBR	2	●	●		●	
03	●	●	●	●	O-ring	NBR	2	●	●	●	●	
04	●	●	●	●	Piston packing	NBR	1 or 2	●	●	●	●	$\phi$ 125~ $\phi$ 200 (Q'y 2)
05	●	●	●	●	O-ring	NBR	1	●	●	●	●	
06	●	●	●	●	Cushion packing	NBR	2	●	●	●	● (※)	
07		●		●	Rod packing	NBR	2		●		●	
08	●	●	●	●	Rod cover	Aluminum alloy	2	●	●			
09	●		●		Piston-R	Aluminum alloy	1	●				
10	●		●		Piston-H	Aluminum alloy	1	●				
11		●		●	Piston	Aluminum alloy	1		●			
12	●	●	●	●	Bush	Bearing alloy	2	●	●			
13	◎	◎	◎	◎	Magnet ring	Magnet material	1	◎	◎			◎ Option
14	●	●	●	●	Wear ring	Teflon	1	●	●			
15	●	●	●	●	Screw	Carbon steel	1	●	●			
16	●	●	●	●	Tie rod nut	Carbon steel	8	●	●			
17	●		●		Tie rod washer	Carbon steel	8	●				
18	●	●	●	●	Needle valve	Copper alloy	2	●	●			
19	●		●		Insert nut	Copper alloy	2	●				
20		●		●	Needle valve washer	Carbon steel	2		●			
21	●		●		Cover plate	Plastic	2	●				
22	●	●	●	●	Nut	Carbon steel	1	●	●			
23			●	●	Adjustable nut	Carbon steel	1					
24			●	●	Gasket	PU	1					
25	●	●	●	●	Cylinder tube	Aluminum alloy	1					
26	●	●	●	●	Piston rod #1	Carbon steel	1					
27	●	●	●	●	Piston rod #2	Carbon steel	1					
28	●	●	●	●	Tie rod	Carbon steel	4					

A:  $\phi$  40~  $\phi$  100, B:  $\phi$  125~  $\phi$  200 ※ Cushion packing is not included in  $\phi$  200 repair kits.

■ Order example of component parts

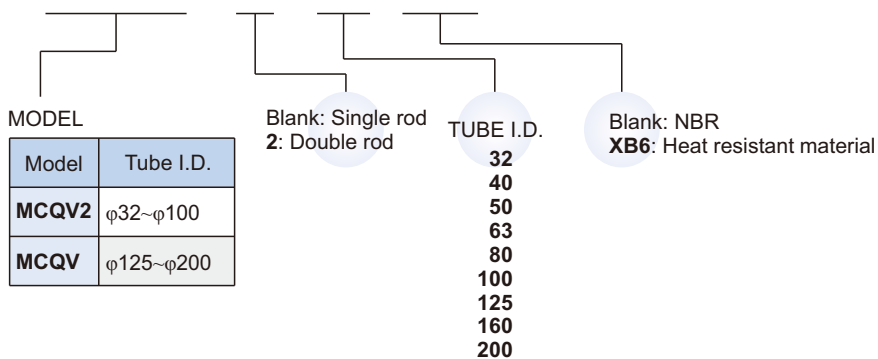
CP – MCQV2 – 2 – 40 M

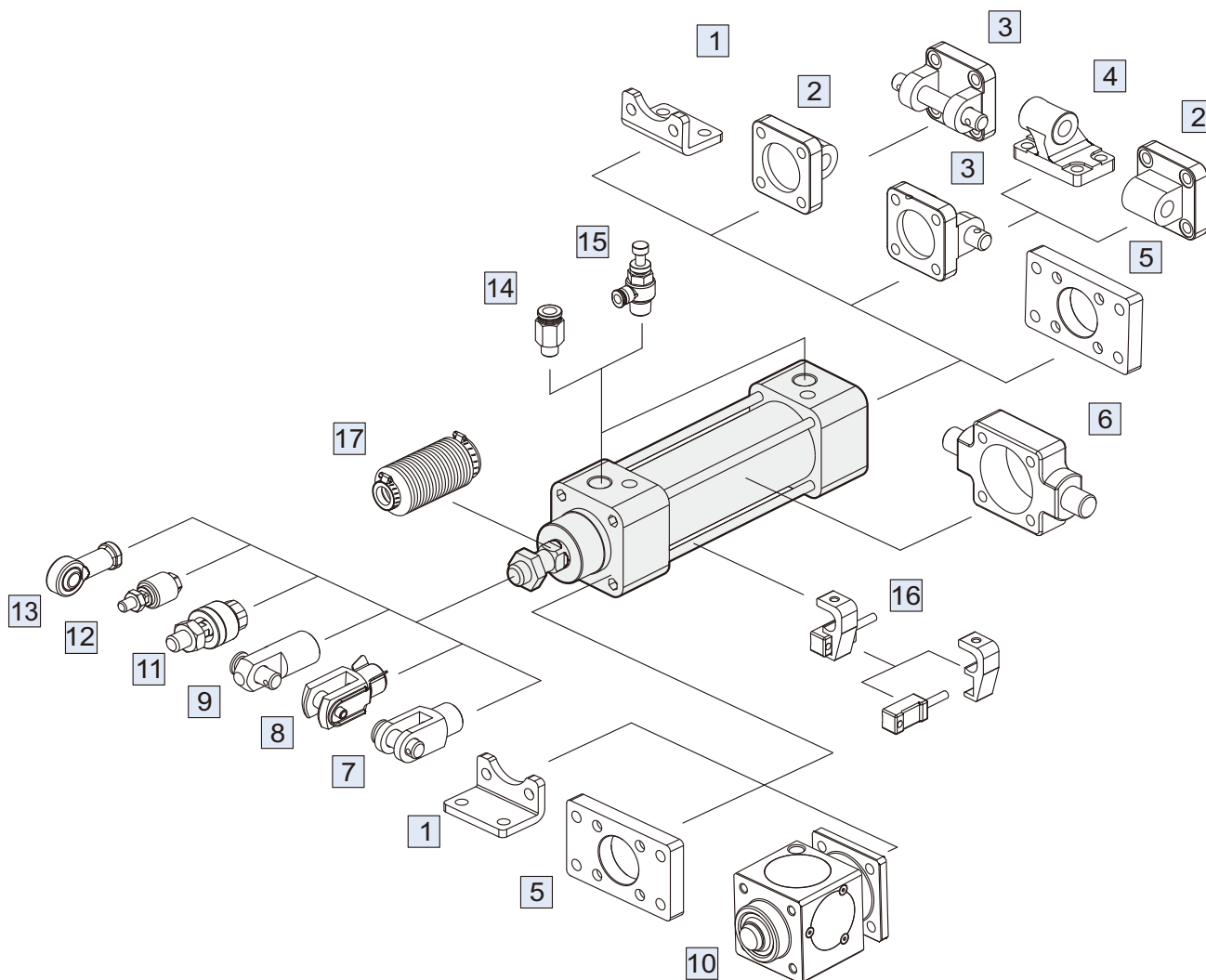


※ Order example for Rc or NPT thread please consult us.

■ Order example of repair kits

PS – MCQV2 – 2 – 40 – XB6

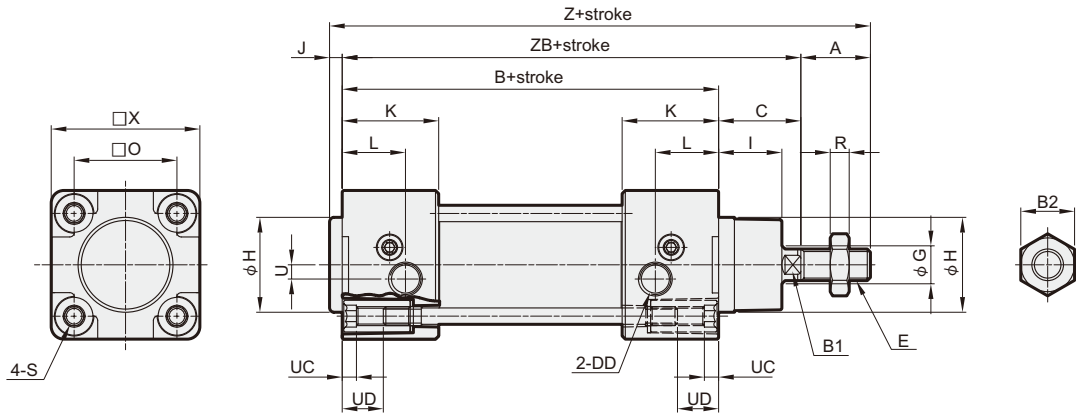




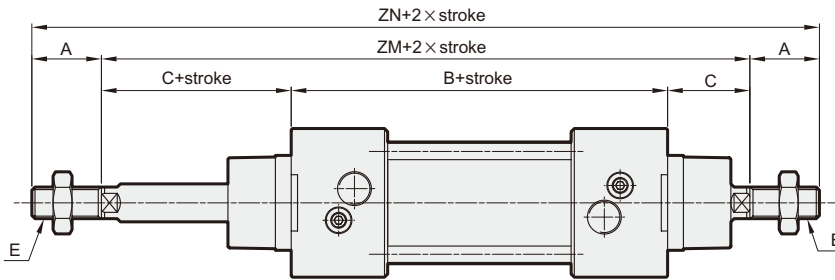
No.	Accessories	Page
1	Mounting accessories LB	1-36, 42
2	Mounting accessories CA	1-38, 43
3	Mounting accessories CB+PIN	1-38, 43, 45, 47
4	Mounting accessories CDB	1-39
5	Mounting accessories FAC / FBC	1-37, 42
6	Mounting accessories TA / TB / TC	1-39, 40, 44, 45
7	Accessories Y+PIN	1-46, 47
8	Accessories YS (Y+Floating pin)	1-46
9	Accessories I+PIN	1-46, 47

No.	Accessories	Page
10	Locking unit MCBQV*	1-65
11	Floating joint MFC	8-2
12	Floating joint MFCS	8-4
13	Female rod ends PHS	8-5
14	Fitting PC (PISCO)	8-5 (Vol.1)
15	Speed controller JSC (PISCO)	8-18 (Vol.1)
16	Sensor switch RCA+HV*	8-6
17	Protective bellows kit	—

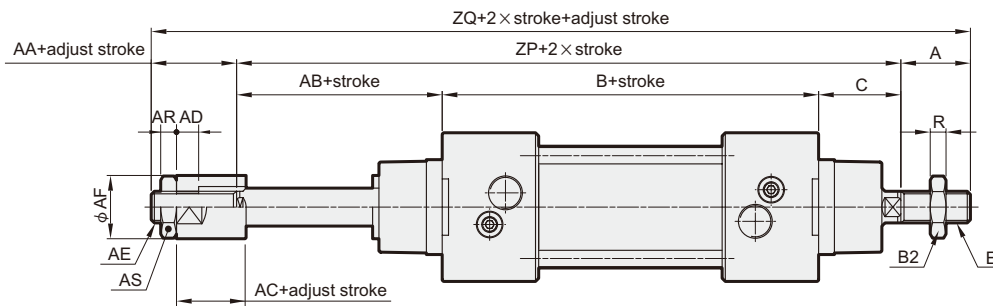
11



21

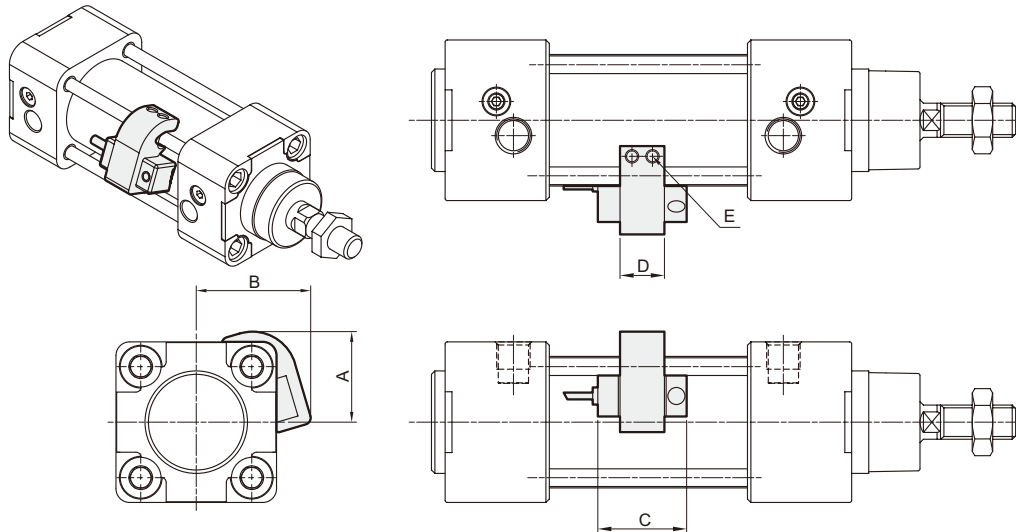


27



Code Tube I.D.	A	AA	AB	AC	AD	AE	AF	AR	AS	B	B1	B2	C	DD	E	G	H	I	J	K	L	O	R
32	22	16	26	12	7	M10 x 1.25	20	5	17	94	10	17	26	G1/8	M10 x 1.25	12	30	20	4	30.5	20	32.5	5
40	24	20	27	12	7	M12 x 1.25	30	6	19	105	13	19	30	G1/4	M12 x 1.25	16	35	20.5	4	34	14.5	38	6
50	32	18	34	15	10	M16 x 1.5	40	8	24	106	16	24	37	G1/4	M16 x 1.5	20	40	28	4	31	16	46.5	8
63	32	20	32	15	10	M16 x 1.5	40	8	24	121	16	24	37	G3/8	M16 x 1.5	20	45	26	4	33	16	56.5	8
80	40	32	41	20	14	M22 x 1.5	50	13	32	128	21	30	46	G3/8	M20 x 1.5	25	45	32.5	4	35.5	20.5	72	10
100	40	30	46	20	14	M22 x 1.5	50	13	32	138	21	30	51	G1/2	M20 x 1.5	25	55	37.5	4	37	19	89	10

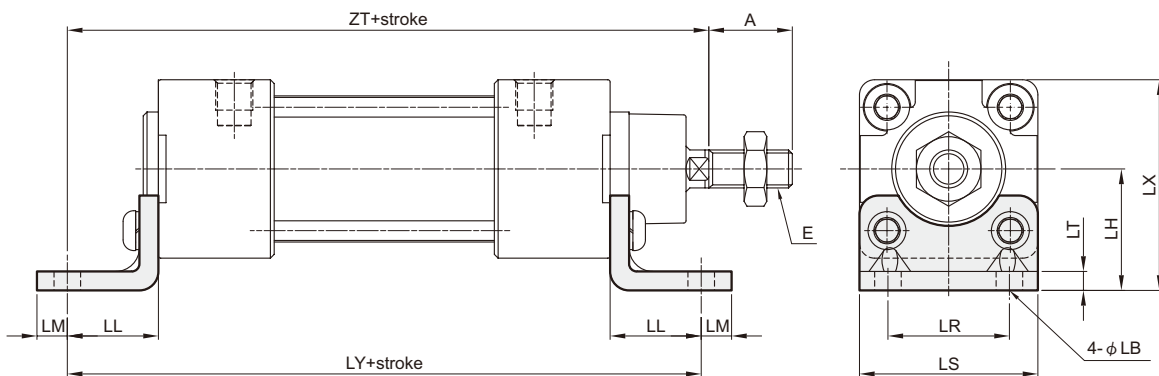
Code Tube I.D.	S	U	UC	UD	X	Z	ZB	ZM	ZN	ZP	ZQ
32	M6 x 1.0	4.5	4.5	12	47	146	120	146	190	146	184
40	M6 x 1.0	5.3	4.5	12	55	163	135	165	213	162	206
50	M8 x 1.25	8.5	4.5	16	65	179	143	180	244	177	227
63	M8 x 1.25	8	4.5	16	78	194	158	195	259	190	242
80	M10 x 1.5	9	4.5	18	95	218	174	220	300	215	287
100	M10 x 1.5	13	4.5	18	115	233	189	240	320	235	305



Code Tube I.D.	Sensor switch	Hold	A	B	C	D	E
MCQV2-32	RCA	HV1	26.5	33.5	26	13	M4×10L
MCQV2-40	RCA	HV1	29.5	36.5	26	13	M4×10L
MCQV2-50	RCA	HV2	37.5	41.5	26	13	M4×10L
MCQV2-63	RCA	HV2	42.5	46.5	26	13	M4×10L
MCQV2-80	RCA	HV3	49.5	54.5	26	13	M5×16L
MCQV2-100	RCA	HV3	57.5	62.5	26	13	M5×16L
MCQV-125	RCA	HV4	—	—	26	13	M4×10L
MCQV-160	RCA	PM16	—	—	26	12	M4×10L
MCQV-200	RCA	HA5V	—	—	26	15	M4×16L

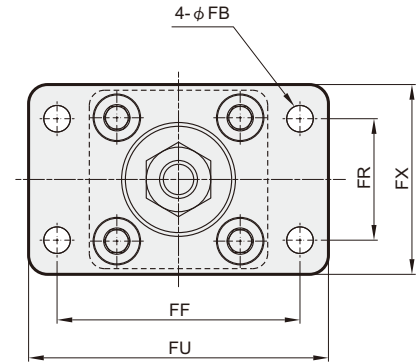
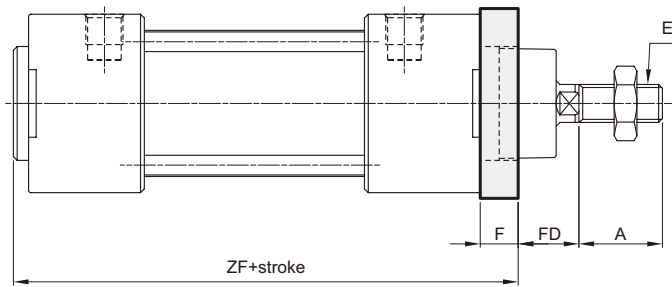
### ■ Mounting accessories

#### LB



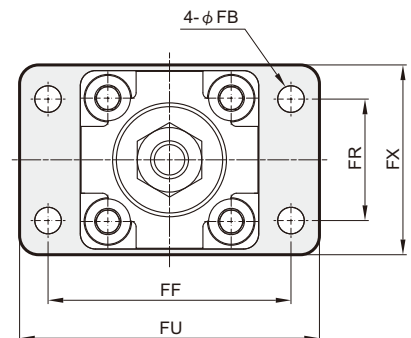
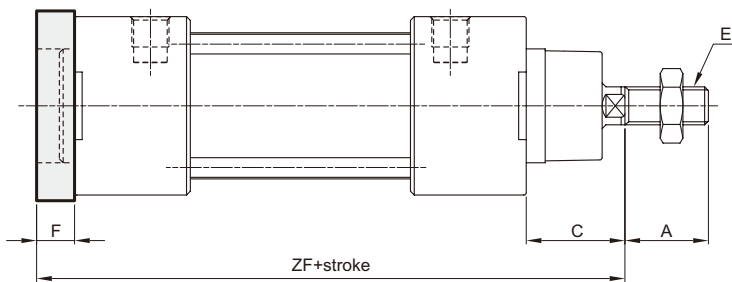
Code Tube I.D.	A	E	LB	LH	LL	LM	LR	LS	LT	LX	LY	ZT
32	22	M10×1.25	7	32	24	8	32	47	5	55.5	142	144
40	24	M12×1.25	9	36	28	10	36	53	5	63.2	161	163
50	32	M16×1.5	9	45	32	10	45	65	5	77.5	170	175
63	32	M16×1.5	9	50	32	10	50	75	5	89	185	190
80	40	M20×1.5	12	63	41	13	63	95	6	110.5	210	215
100	40	M20×1.5	14	71	41	13	75	115	6	128.5	220	230

**FAC**



Code Tube I.D.	A	E	F	FB	FD	FF	FR	FU	FX	ZF
32	22	M10×1.25	10	7	16	64	32	79	50	108
40	24	M12×1.25	10	9	20	72	36	93	54	120
50	32	M16×1.5	12	9	25	90	45	112	67	123
63	32	M16×1.5	12	9	25	100	50	127	79	137
80	40	M20×1.5	16	12	30	126	63	158	98	148
100	40	M20×1.5	16	14	35	150	75	185	116	158

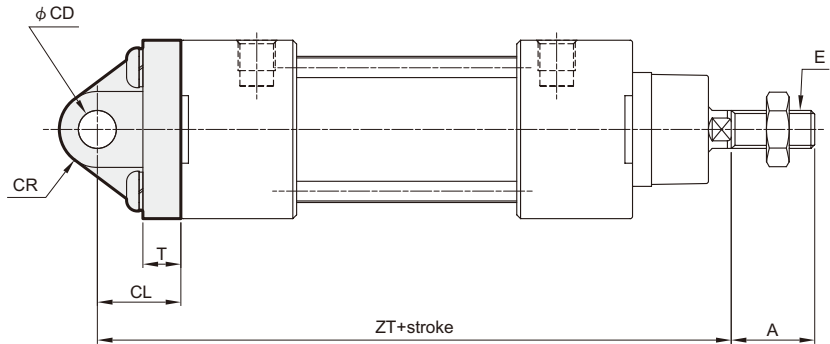
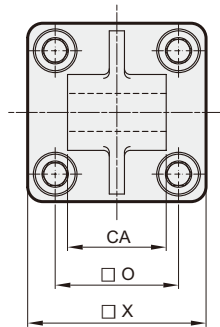
**FBC**



Code Tube I.D.	A	C	E	F	FB	FF	FR	FU	FX	ZF
32	22	26	M10×1.25	10	7	64	32	79	50	130
40	24	30	M12×1.25	10	9	72	36	93	54	145
50	32	37	M16×1.5	12	9	90	45	112	67	155
63	32	37	M16×1.5	12	9	100	50	127	79	170
80	40	46	M20×1.5	16	12	126	63	158	98	190
100	40	51	M20×1.5	16	14	150	75	185	116	205

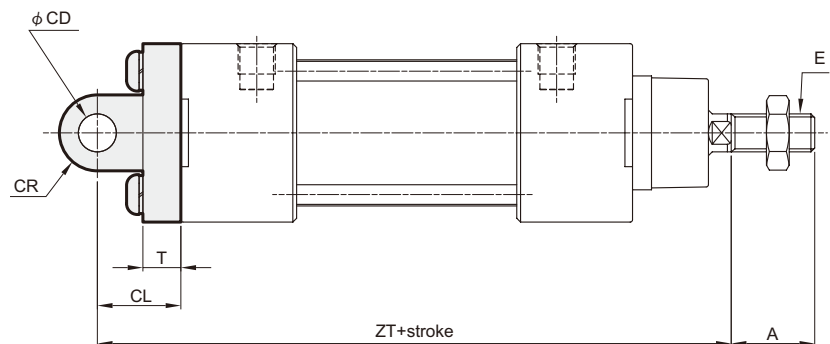
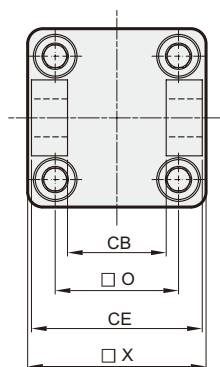


### CA



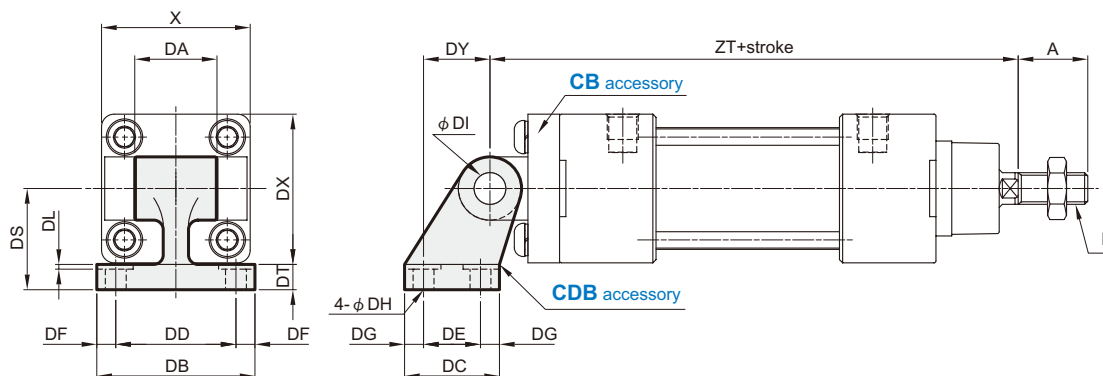
Code Tube I.D.	A	CA	CD	CL	CR	E	O	T	X	ZT
32	22	$26_{-0.3}^{-0.1}$	10H9	22	R10.5	M10 $\times$ 1.25	32.5	10	46	142
40	24	$28_{-0.3}^{-0.1}$	12H9	25	R12	M12 $\times$ 1.25	38	9	52	160
50	32	$32_{-0.3}^{-0.1}$	12H9	27	R14	M16 $\times$ 1.5	46.5	9	63.5	170
63	32	$40_{-0.3}^{-0.1}$	16H9	32	R18	M16 $\times$ 1.5	56.5	9	75	190
80	40	$50_{-0.3}^{-0.1}$	16H9	36	R17	M20 $\times$ 1.5	72	12	93	210
100	40	$60_{-0.3}^{-0.1}$	20H9	41	R21	M20 $\times$ 1.5	89	11	112	230

### CB



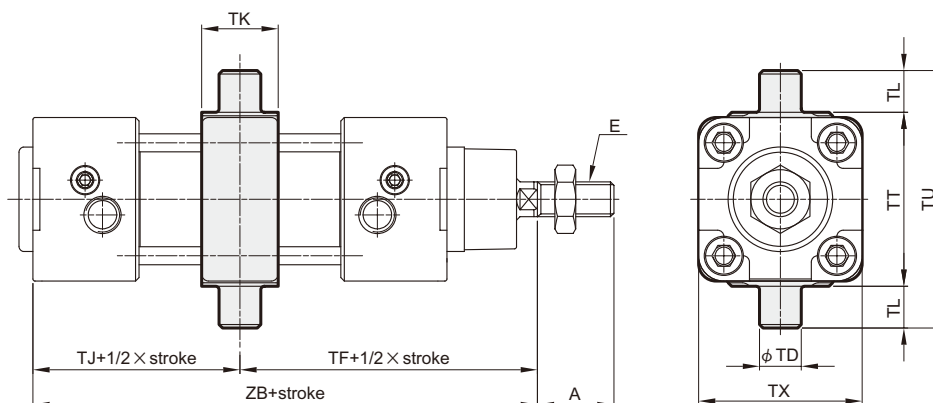
Code Tube I.D.	A	CB	CD	CE	CL	CR	E	O	T	X	ZT
32	22	$26_{+0.1}^{+0.3}$	10H9	45	22	R10.5	M10 $\times$ 1.25	32.5	10	46	142
40	24	$28_{+0.1}^{+0.3}$	12H9	52	25	R12	M12 $\times$ 1.25	38	9	52	160
50	32	$32_{+0.1}^{+0.3}$	12H9	60	27	R14	M16 $\times$ 1.5	46.5	9	63.5	170
63	32	$40_{+0.1}^{+0.3}$	16H9	70	32	R18	M16 $\times$ 1.5	56.5	9	75	190
80	40	$50_{+0.1}^{+0.3}$	16H9	90	36	R17	M20 $\times$ 1.5	72	12	93	210
100	40	$60_{+0.1}^{+0.3}$	20H9	110	41	R21	M20 $\times$ 1.5	89	11	112	230

### CDB CB+Pin (Extra purchase)



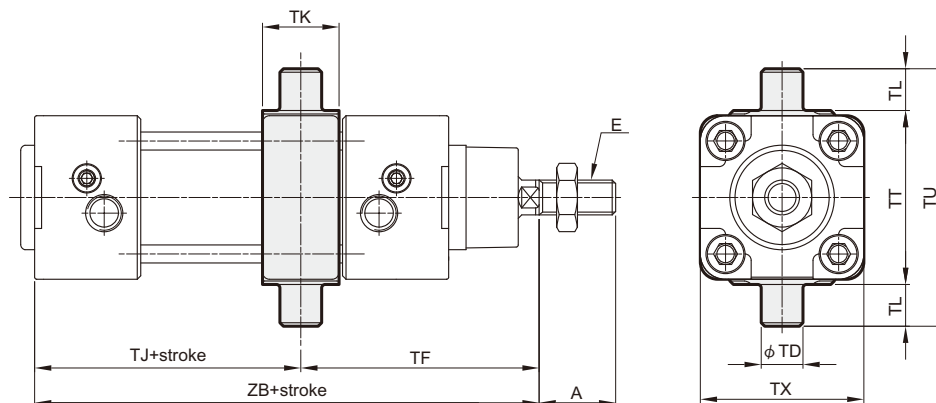
Code Tube I.D.	A	DA	DB	DC	DD	DE	DF	DG	DH	DI	DL	DS	DT	DX	DY	E	X	ZT
32	22	26	50	30	38	18	6	6	6.6	10	1.5	32	8	47.5	21	M10×1.25	47	142
40	24	28	53	34	41	22	6	6	6.6	12	1.5	36	10	52.5	24	M12×1.25	55	160
50	32	32	65	45	50	30	7.5	7.5	9	12	1.5	45	12	65.5	33	M16×1.5	65	170
63	32	40	67	50	52	35	7.5	7.5	9	16	1.5	50	12	75.5	37	M16×1.5	78	190
80	40	50	86	60	66	40	10	10	11	16	2.5	63	14	96.5	47	M20×1.5	95	210
100	40	60	96	70	76	50	10	10	11	20	2.5	71	15	113.5	55	M20×1.5	115	230

### TC



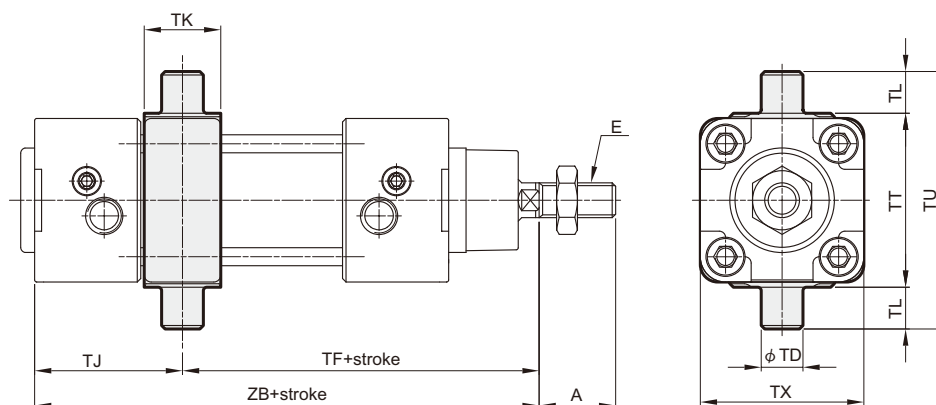
Code Tube I.D.	A	E	TD	TF	TJ	TK	TL	TT	TU	TX	ZB
32	22	M10×1.25	12e8	73	47	22	12	50	74	47	120
40	24	M12×1.25	16e8	82.5	52.5	22	16	63	95	53	135
50	32	M16×1.5	16e8	90	53	22	16	75	107	66	143
63	32	M16×1.5	20e8	97.5	60.5	28	20	90	130	80	158
80	40	M20×1.5	20e8	110	64	34	20	110	150	106	174
100	40	M20×1.5	25e8	120	69	40	25	132	182	126	189

### TA



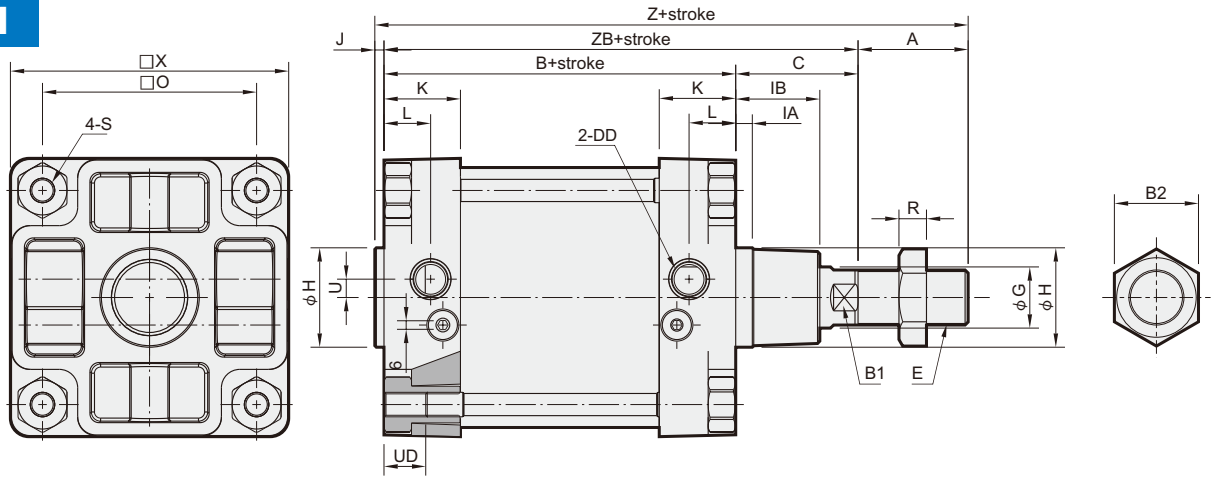
Code Tube I.D.	A	E	TD	TF	Without magnet		Magnet		TK	TL	TT	TU	TX
					TJ	ZB	TJ	ZB					
32	22	M10×1.25	12e8	68.5	51.5	120	81.5	150	22	12	50	74	47
40	24	M12×1.25	16e8	76	59	135	89	165	22	16	63	95	53
50	32	M16×1.5	16e8	80	63	143	93	173	22	16	75	107	66
63	32	M16×1.5	20e8	85	73	158	103	188	28	20	90	130	80
80	40	M20×1.5	20e8	99.5	74.5	174	114.5	214	34	20	110	150	106
100	40	M20×1.5	25e8	109	80	189	120	229	40	25	132	182	126

### TB

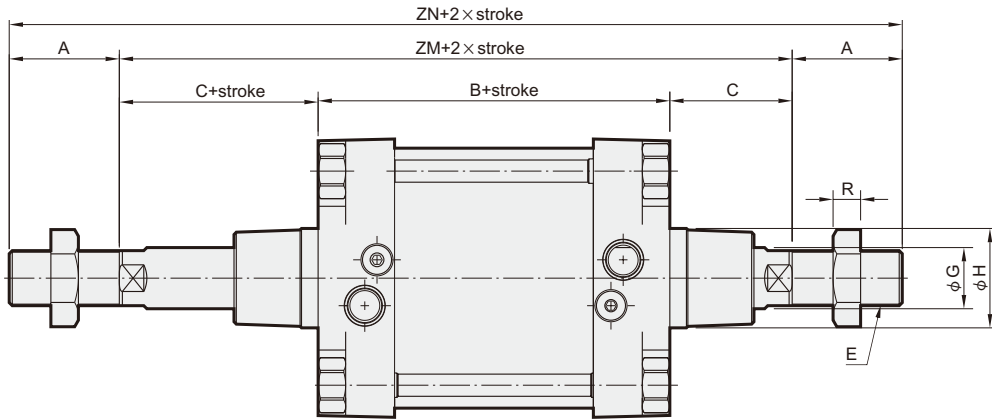


Code Tube I.D.	A	E	TD	Without magnet		Magnet		TJ	TK	TL	TT	TU	TX
				TF	ZB	TF	ZB						
32	22	M10×1.25	12e8	77.5	120	107.5	150	42.5	22	12	50	74	47
40	24	M12×1.25	16e8	89	135	119	165	46	22	16	63	95	53
50	32	M16×1.5	16e8	100	143	130	173	43	22	16	75	107	66
63	32	M16×1.5	20e8	110	158	140	188	48	28	20	90	130	80
80	40	M20×1.5	20e8	120.5	174	160.5	214	53.5	34	20	110	150	106
100	40	M20×1.5	25e8	131	189	171	229	58	40	25	132	182	126

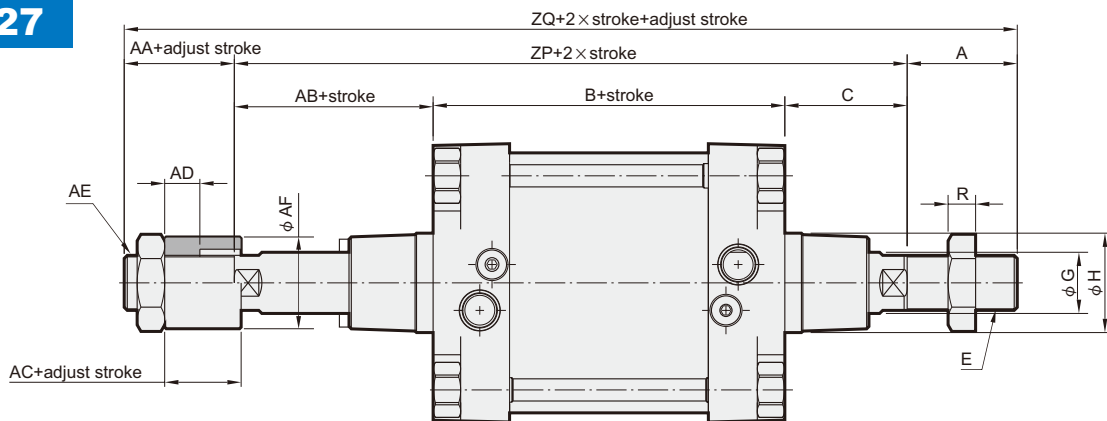
11



21



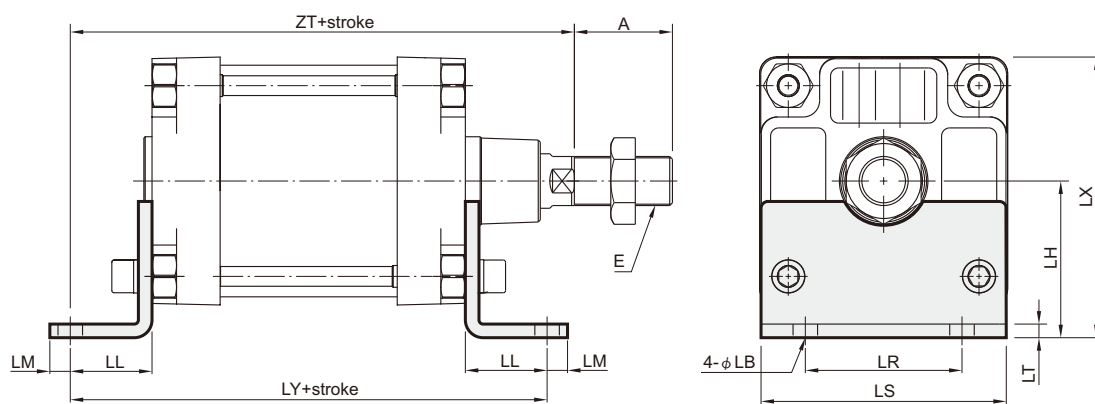
27



Code Tube I.D.	A	AA	AB	AC	AD	AE	AF	B	B1	B2	C	DD	E	G	H	IA	IB	J	K	L	O	R	S
125	54	38	55	30	18	M30 x 1.5	60	160	27	41	65	G1/2	M27 x 2.0	32	60e11	10	40	6	40	25	110	13.5	M12 x 1.75
160	72	38	71	30	18	M30 x 1.5	60	180	36	55	80	G3/4	M36 x 2.0	40	65e11	10	55	6	50	30.5	140	18	M16 x 2.0
200	72	40.5	94.5	42.5	20	M36 x 2.0	60	180	36	55	95	G3/4	M36 x 2.0	40	75e11	15	55	6	56	36.5	175	18	M16 x 2.0

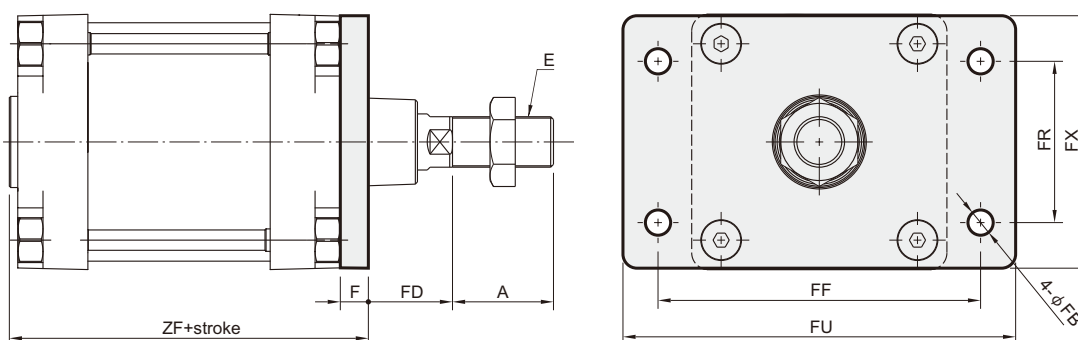
Code Tube I.D.	U	UD	X	Z	ZB	ZM	ZN	ZP	ZQ
125	11	22	140	285	225	290	398	280	372
160	12	27	182	338	260	340	484	331	441
200	12	28	220	353	275	370	514	369.5	482

**LB**



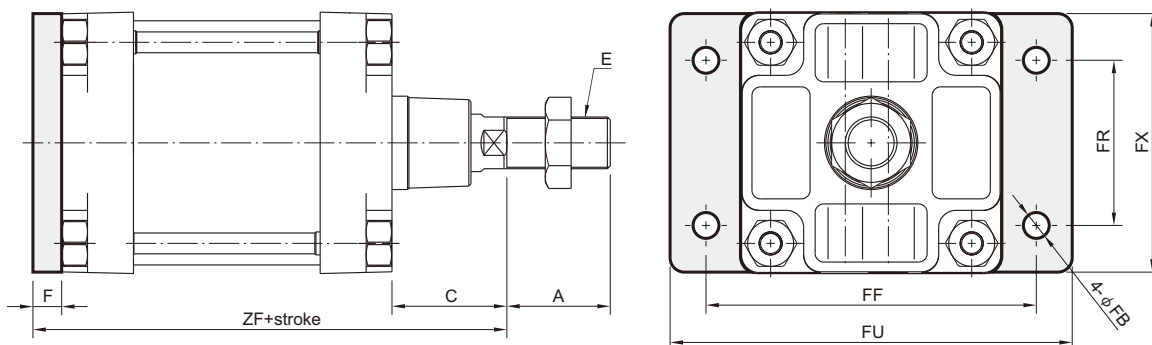
Code Tube I.D.	A	E	LB	LH	LL	LM	LR	LS	LT	LX	LY	ZT
125	54	M27×2.0	16	90	45	25	90	140	9	160	250	270
160	72	M36×2.0	18	115	60	15	115	180	10	206	300	320
200	72	M36×2.0	24	135	70	35	135	220	12	245	320	345

**FAC**



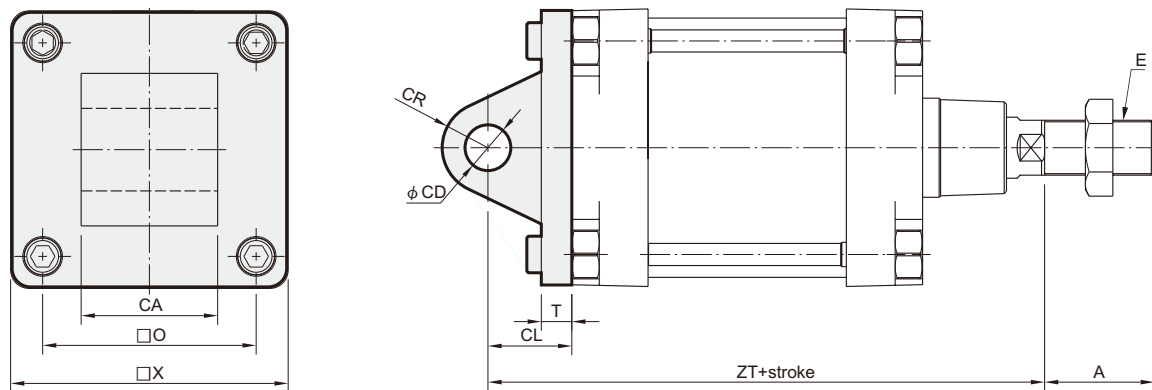
Code Tube I.D.	A	E	F	FB	FD	FF	FR	FU	FX	ZF
125	54	M27×2.0	20	16	45	180	90	211	140	186
160	72	M36×2.0	20	18	60	230	115	283	184	206
200	72	M36×2.0	25	22	70	270	135	320	220	211

**FBC**



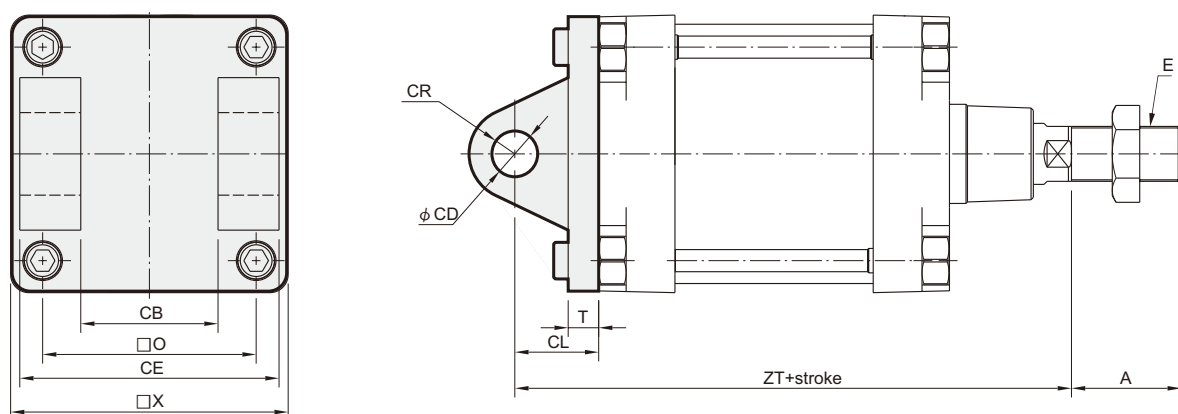
Code Tube I.D.	A	C	E	F	FB	FF	FR	FU	FX	ZF
125	54	65	M27×2.0	20	16	180	90	211	140	245
160	72	80	M36×2.0	20	18	230	115	283	184	280
200	72	95	M36×2.0	25	22	270	135	320	220	300

**CA**



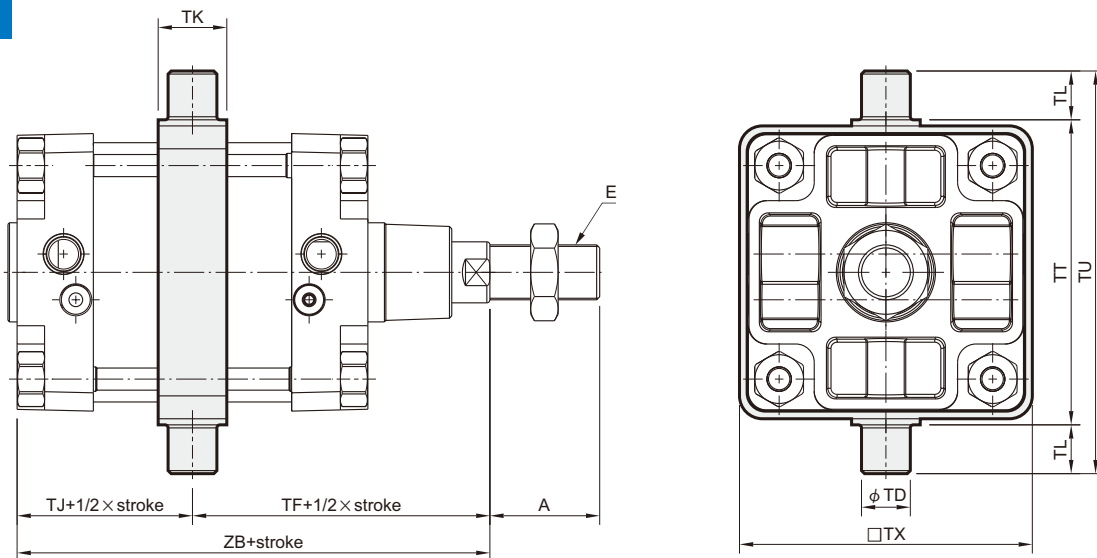
Code Tube I.D.	A	CA	CD	CL	CR	E	O	T	X	ZT
125	54	69.5 <sup>0</sup> <sub>-0.7</sub>	25H9	50	R25	M27×2.0	110	20	139	275
160	72	89.5 <sup>0</sup> <sub>-0.7</sub>	30H9	55	R30	M36×2.0	140	20	178	315
200	72	90 <sup>-0.5</sup> <sub>-0.9</sub>	30H9	60	R30	M36×2.0	175	21	218	335

**CB**



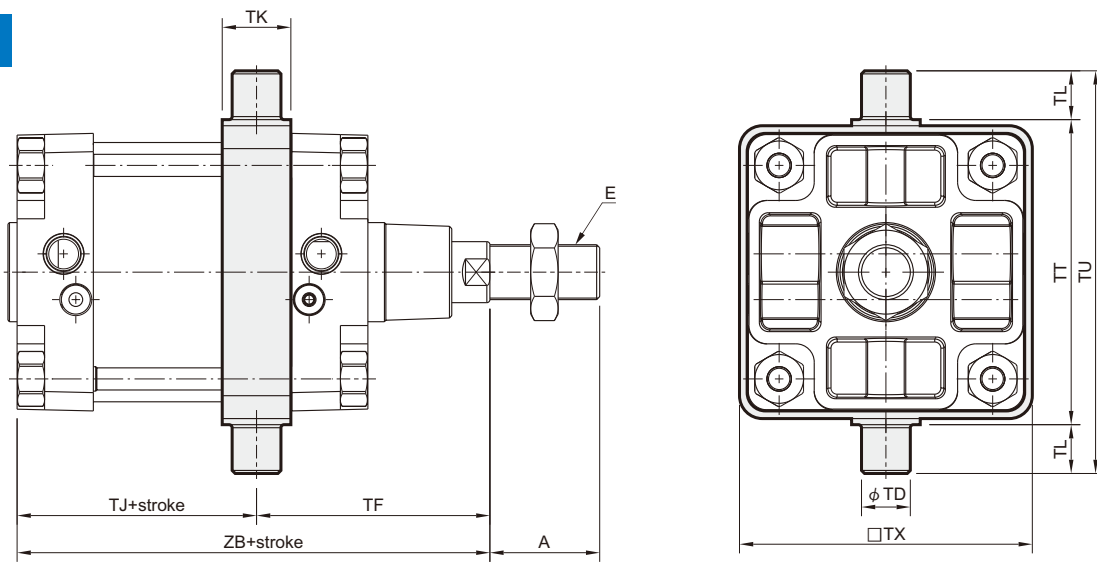
Code Tube I.D.	A	CB	CD	CE	CL	CR	E	O	T	X	ZT
125	54	70H14	25H9	130h14	50	R25	M27×2.0	110	20	139	275
160	72	90H14	30H9	170h14	55	R30	M36×2.0	140	20	178	315
200	72	90H14	30H9	170h14	60	R30	M36×2.0	175	21	218	335

**TC**



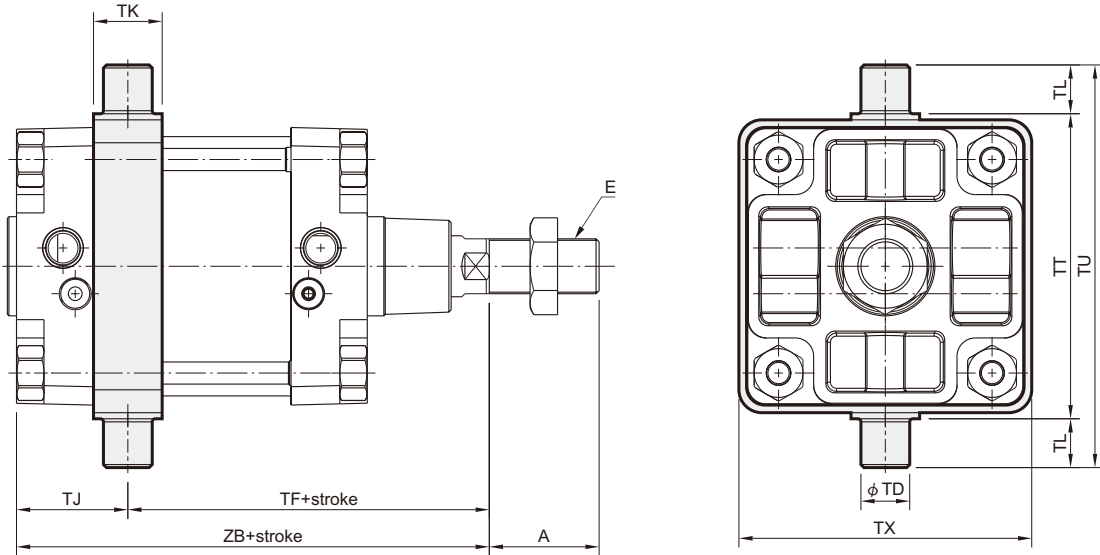
Code Tube I.D.	A	E	TD	TF	TJ	TK	TL	TT	TU	TX	ZB
125	54	M27×2.0	25e9	145	80	40	25	160	210	155	225
160	72	M36×2.0	32e9	170	90	45	32	200	264	192	260
200	72	M36×2.0	32e9	185	90	45	32	250	314	240	275

**TA**



Code Tube I.D.	A	E	TD	TF	Without magnet		Magnet		TK	TL	TT	TX	TU
					TJ	ZB	TJ	ZB					
125	54	M27×2.0	25e9	125	100	225	146	271	40	25	160	155	210
160	72	M36×2.0	32e9	152.5	107.5	260	157.5	310	45	32	200	192	264
200	72	M36×2.0	32e9	173.5	101.5	275	145.5	319	45	32	250	240	275

**TB**

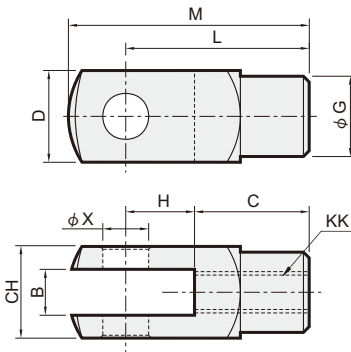


Code Tube I.D.	A	E	TD	TJ	Without magnet		Magnet		TK	TL	TT	TX	TU
					TF	ZB	TF	ZB					
125	54	M27 × 2.0	25e9	60	165	225	211	271	40	25	160	155	210
160	72	M36 × 2.0	32e9	72.5	187.5	260	237.5	310	45	32	200	192	264
200	72	M36 × 2.0	32e9	78.5	196.5	275	240.5	319	45	32	250	240	275

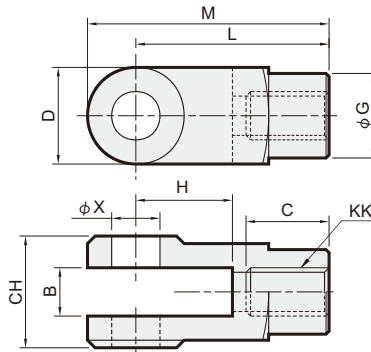


### Y connector

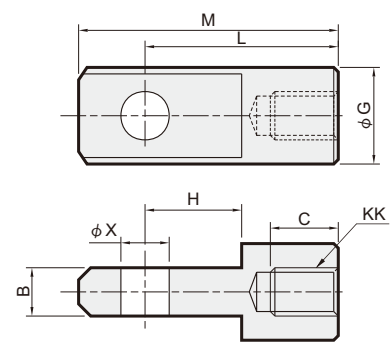
$\phi 32, \phi 40$



$\phi 50 \sim \phi 100$



### I connector

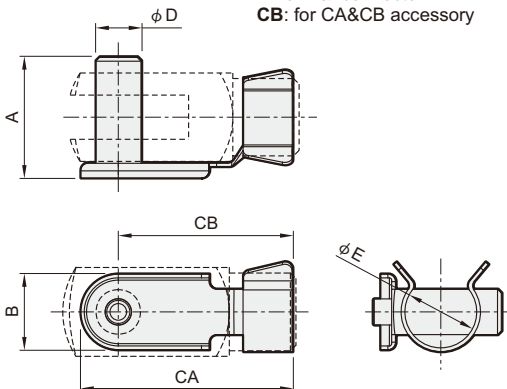
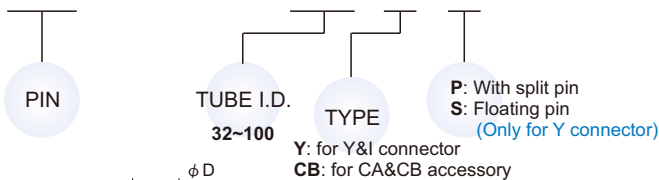


Code Tube I.D.	B		C		CH		D		G		H		L		KK		M		X <sup>H9</sup>
	Y	I	Y	I	Y	I	Y	I	Y	I	Y	I	Y	I	Y	I	Y	I	
32	10 <sup>+0.5</sup> <sub>+0.15</sub>	10 <sup>-0.1</sup> <sub>-0.2</sub>	20	17	19	/	19	/	$\phi 18$	$\phi 20$	20	15	40	40	M10×1.25	52	52	$\phi 10$ <sup>+0.04</sup> <sub>0</sub>	
40	12 <sup>+0.5</sup> <sub>+0.15</sub>	12 <sup>-0.1</sup> <sub>-0.2</sub>	24	21	22	/	22	/	$\phi 20$	$\phi 24$	24	18	48	48	M12×1.25	62	62	$\phi 12$ <sup>+0.04</sup> <sub>0</sub>	
50	16 <sup>+0.3</sup> <sub>+0.1</sub>	16 <sup>-0.1</sup> <sub>-0.3</sub>	28	23	32	/	32	/	$\phi 28$	$\phi 32$	32	32	64	64	M16×1.5	89	86	$\phi 16$ <sup>+0.04</sup> <sub>0</sub>	
63	16 <sup>+0.3</sup> <sub>+0.1</sub>	16 <sup>-0.1</sup> <sub>-0.3</sub>	28	23	32	/	32	/	$\phi 28$	$\phi 32$	32	32	64	64	M16×1.5	89	86	$\phi 16$ <sup>+0.04</sup> <sub>0</sub>	
80	20 <sup>+0.3</sup> <sub>+0.1</sub>	20 <sup>-0.1</sup> <sub>-0.3</sub>	33	30	45	/	40	/	$\phi 36$	$\phi 36$	40	40	80	80	M20×1.5	100	108	$\phi 20$ <sup>+0.05</sup> <sub>0</sub>	
100	20 <sup>+0.3</sup> <sub>+0.1</sub>	20 <sup>-0.1</sup> <sub>-0.3</sub>	33	30	45	/	40	/	$\phi 36$	$\phi 36$	40	40	80	80	M20×1.5	100	108	$\phi 20$ <sup>+0.05</sup> <sub>0</sub>	

### Pin

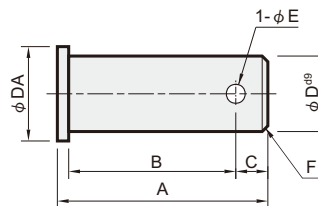
Order example ※ MCQV / MCQI are common accessories.

PIN — MCQV — 40 — Y — P



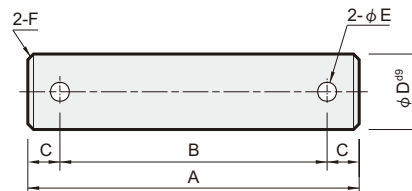
#### for floating pin

Code Tube I.D.	A	B	CA	CB	D <sup>d9</sup>	E
32	26	14	45	38	$\phi 10$ <sup>-0.06</sup> <sub>-0.09</sub>	17
40	31	16	54	46	$\phi 12$ <sup>-0.06</sup> <sub>-0.09</sub>	19
50,63	42	20	70	60	$\phi 16$ <sup>-0.05</sup> <sub>-0.09</sub>	27
80,100	56	30	91	76	$\phi 20$ <sup>-0.06</sup> <sub>-0.11</sub>	35



#### for Y / I connector

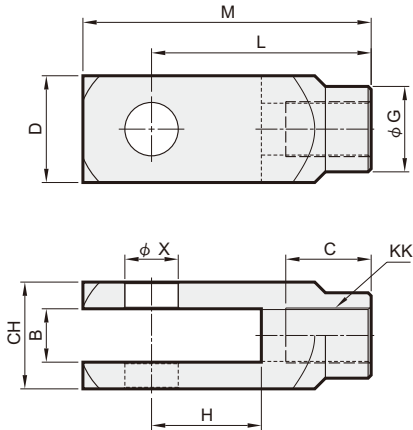
Code Tube I.D.	A	B	C	D <sup>d9</sup>	DA	E	F	Split pin
32	30	25	3.5	$\phi 10$ <sup>-0.06</sup> <sub>-0.09</sub>	14	3.2	1	3.2×20L
40	37	30	5	$\phi 12$ <sup>-0.06</sup> <sub>-0.09</sub>	16	3.2	1	3.2×20L
50,63	47	37	7	$\phi 16$ <sup>-0.05</sup> <sub>-0.09</sub>	22	4	1	4×25L
80,100	62	50	8	$\phi 20$ <sup>-0.06</sup> <sub>-0.11</sub>	30	5	1.5	5×35L



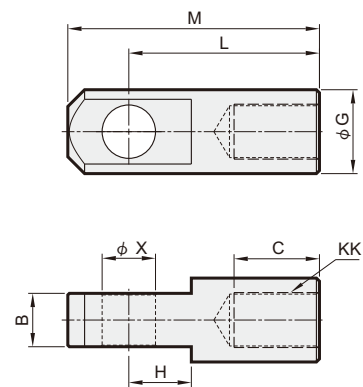
#### for CA / CB

Code Tube I.D.	A	B	C	D <sup>d9</sup>	E	F	Split pin
32	69	55	7	$\phi 10$ <sup>-0.05</sup> <sub>-0.09</sub>	4	1.0	4×20L
40	76	62	7	$\phi 12$ <sup>-0.05</sup> <sub>-0.09</sub>	4	1.0	4×20L
50	84	70	7	$\phi 12$ <sup>-0.05</sup> <sub>-0.09</sub>	4	1.0	4×20L
63	94	80	7	$\phi 16$ <sup>-0.05</sup> <sub>-0.09</sub>	4	1.0	4×30L
80	117	100	8.5	$\phi 16$ <sup>-0.05</sup> <sub>-0.09</sub>	5	1.5	5×30L
100	137	120	8.5	$\phi 20$ <sup>-0.05</sup> <sub>-0.09</sub>	5	1.5	5×35L

### Y connector



### I connector

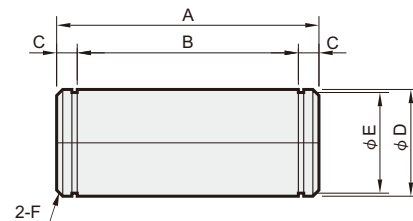
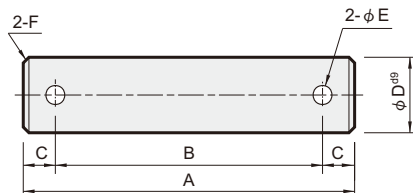
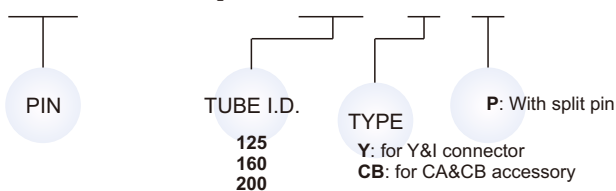


Code Tube I.D.	B		C		CH		D		G		H		KK		L		M		X <sup>F7</sup>	
	Y	I	Y	I	Y	I	Y	I	Y	I	Y	I	Y	I	Y	I	Y	I	Y	I
125	30 <sup>+0.52</sup> <sub>0</sub>	30 <sup>-0.2</sup> <sub>-0.3</sub>	56	51	55	/	55	/	48	55	54	40	M27×2.0	110	110	148	145	30 <sup>+0.52</sup> <sub>0</sub>	30 <sup>+0.04</sup> <sub>+0.02</sub>	
160	35 <sup>+0.62</sup> <sub>0</sub>	35 <sup>-0.2</sup> <sub>-0.3</sub>	56	56	70	/	70	/	56	55	72	41	M36×2.0	144	125	189	165	35 <sup>+0.05</sup> <sub>+0.02</sub>	35 <sup>+0.05</sup> <sub>+0.02</sub>	
200	35 <sup>+0.62</sup> <sub>0</sub>	35 <sup>-0.2</sup> <sub>-0.3</sub>	56	56	70	/	70	/	56	55	72	41	M36×2.0	144	125	189	165	35 <sup>+0.05</sup> <sub>+0.02</sub>	35 <sup>+0.05</sup> <sub>+0.02</sub>	

## Pin

### Order example

PIN – MCQV – 125 – Y – P



### for $\phi 125$

Code Tube I.D.	A	B	C	D <sup>H9</sup>	E	F	Split pin
CB	157	140	8.5	$\phi 25_{-0.12}^{+0.07}$	5	1.5	5×36L
Y	81	64	8.5	$\phi 30_{-0.12}^{+0.07}$	6.3	1.5	6.3×40L

### for $\phi 160, \phi 200$

Code Tube I.D.	A	B	C	D	E	F	Snap ring
CB	186	172	7	$30_{-0.09}^{+0.05}$	$28.6_{-0.21}^0$	2	STW—30
Y	86	72	7	$35_{-0.03}^{+0.07}$	$33_{-0.25}^0$	2	STW—35