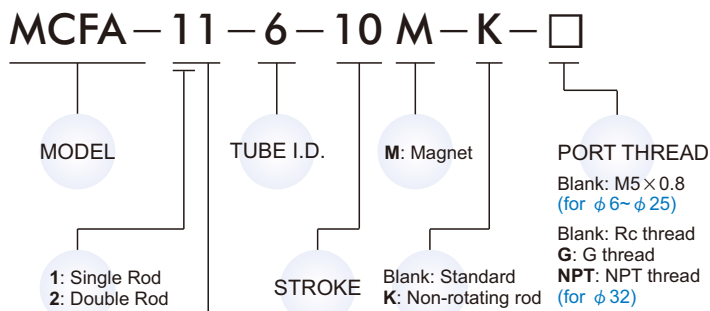
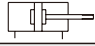
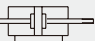


Table for standard stroke

Tube I.D.	Stroke (mm)
φ 6,10,16	5, 10, 15, 20, 25, 30
φ 20,25,32	5, 10, 15, 20, 25, 30, 40, 50

Order example



Code	Symbol	Description
1 1		Double action / Male thread
2 1		Double rod / Male thread

Features

- Compact and space saving.

Specification

Model	MCFA					
Acting type	Double acting					
Tube I.D. (mm)	6	10	16	20	25	32
Port size	M5×0.8					Rc1/8
Medium	Air					
Max. operating pressure	0.7 MPa					
Min. operating pressure(MPa)	0.12	0.06	0.05			
Proof pressure	1 MPa					
Ambient temperature	-5~+60°C (No freezing)					
Lubrication	Not required					
Available speed range	50~500 mm/sec					
Cushion	With rubber cushion pad					
Sensor switch (※)	RCE, RCE1, RDEP					

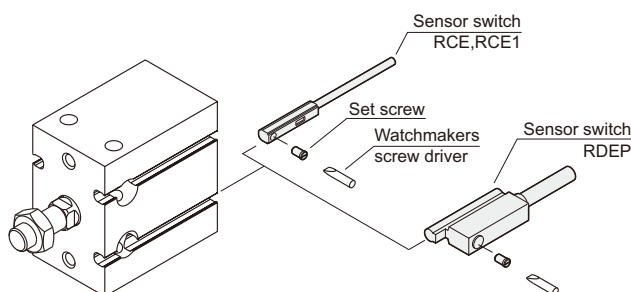
※ RCE, RCE1, RDEP specification, please refer to page 8-10, 15.

Tightening torque

When mounting MCFA series, refer to the below table.

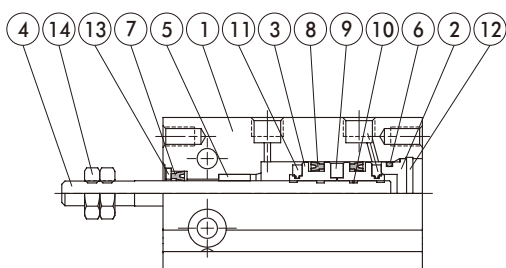
Model	Hexagon socket head cap screw dia.(mm)	Proper tightening torque N.m [kgf.cm]
MCFA-6, 10	M3	1.1 [11.2] ± 10%
MCFA-16	M4	2.5 [25.5] ± 10%
MCFA-20, 25	M5	5.0 [51.0] ± 10%
MCFA-32	M6	8.0 [81.6] ± 10%

Installation of sensor switch

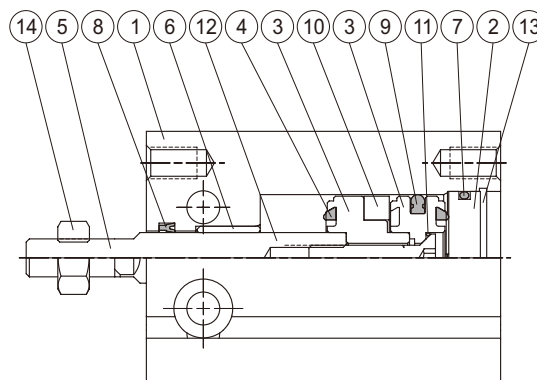


Double acting

$\phi 6 \sim \phi 10$



$\phi 16 \sim \phi 32$



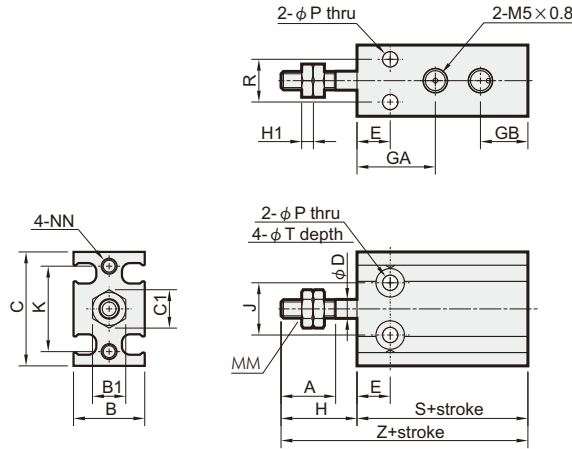
Material

No.	Part name	Tube I.D.		Note
		6	10	
1	Body	Aluminum alloy		
2	Head cover	Aluminum alloy		
3	Piston	Copper		
4	Rod	Stainless steel		
5	Rod bush	Copper		
6	Cover ring	NBR		
7	Rod packing	NBR		
8	Piston packing	NBR		
9	Magnet ring	Magnet material		for with magnet
10	Piston gasket	NBR		
11	Cushion packing	PU		
12	Snap ring	Carbon steel		
13	Fixed ring	Aluminum alloy		
14	Rod front nut	Carbon steel		

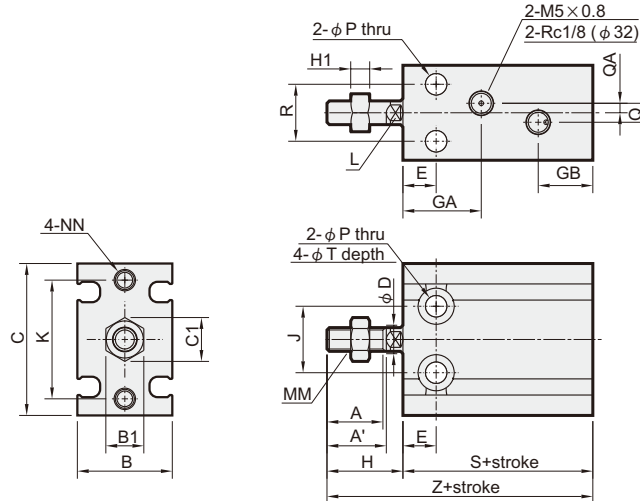
No.	Part name	Tube I.D.				Note
		16	20	25	32	
1	Body	Aluminum alloy				
2	Head cover	Aluminum alloy				
3	Piston	Aluminum alloy				
4	Cushion packing	NBR				
5	Rod	Stainless steel			※	
6	Rod bush	Copper				
7	Cover ring	NBR				
8	Rod packing	NBR				
9	Piston packing	NBR				
10	Magnet ring	Magnet material				for with magnet
11	Piston gasket	NBR				
12	Piston bolt	SCM				for without magnet
		Stainless steel				for with magnet
13	Snap ring	Carbon steel				
14	Rod front nut	Carbon steel				

※ Medium carbon steel

$\phi 6, \phi 10$



$\phi 16 \sim \phi 32$



Code Tube I.D.	A	A'	B	B1	C	C1	D	E	GA	GB	H	H1	J	K	L	MM	NN	P	Q	QA	R
6	7	-	13	5.5	22	6.4	3	7	15	10	13	1.8	10	17	-	M3×0.5	M3×0.5×5depth	3.2	-	-	7
10	10	-	15	7	24	8.1	4	7	16.5	10	16	2.4	11	18	-	M4×0.7	M3×0.5×5depth	3.2	-	-	9
16	11	12.5	20	8	32	9.2	6	7	※16.5	11.5	16	4	14	25	5	M5×0.8	M4×0.7×6depth	4.5	4	2	12
20	12	14	26	10	40	11.5	8	9	19	12.5	19	5	16	30	6	M6×1.0	M5×0.8×8depth	5.5	9	4.5	16
25	15.5	18	32	13	50	15.0	10	10	21.5	13	23	5	20	38	8	M8×1.25	M5×0.8×8depth	5.5	9	4.5	20
32	19.5	22	40	17	62	19.6	12	11	23	12.5	27	6	24	48	10	M10×1.25	M6×1.0×9depth	6.6	13.5	4.5	24

※ Without magnet with stroke=5mm, GA=14.5mm.

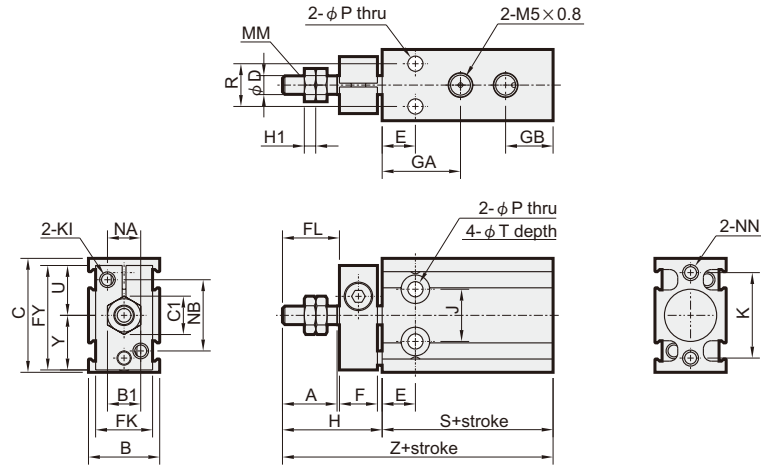
Code Tube I.D.	T	Without magnet		Magnet	
		S	Z	S	Z
6	6×4.8depth	33	46	33	46
10	6×5depth	36	52	36	52
16	7.6×6.5depth	30	46	40	56
20	9.3×8depth	36	55	46	65
25	9.3×9depth	40	63	50	73
32	11×11.5depth	42	69	52	79

MCFA Non-rotating rod / Single rod $\phi 6 \sim \phi 32$

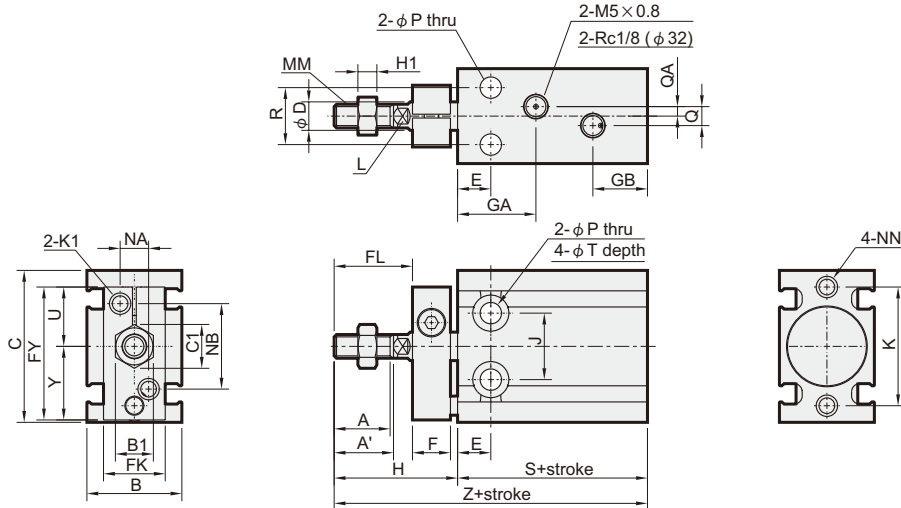
MULTI-MOUNT CYLINDER



$\phi 6, \phi 10$



$\phi 16 \sim \phi 32$

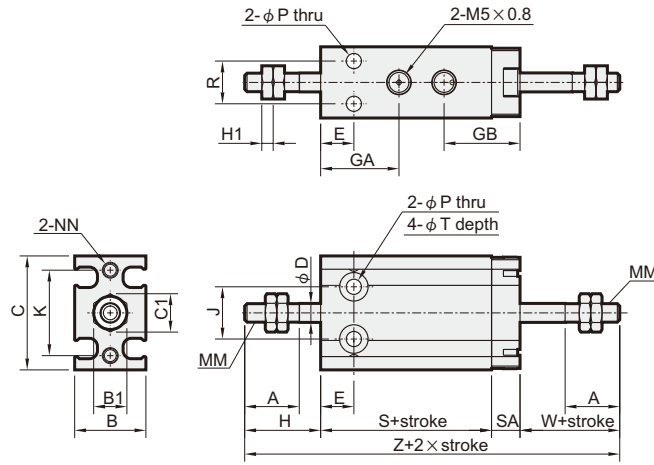


Code Tube I.D.	A	A'	B	B1	C	C1	D	E	F	FL	FK	FY	GA	GB	H	H1	J	K	KI	L	MM	NA	NB
6	7	-	13	5.5	22	6.4	3	7	8	9	11	20.5	15	10	18	1.8	10	17	M3x0.5	-	M3x0.5	6	14
10	10	-	15	7	24	8.1	4	7	8	12	12	22	16.5	10	21	2.4	11	18	M3x0.5	-	M4x0.7	7	15
16	11	12.5	20	8	32	9.2	6	7	8	17	13	28	※16.5	11.5	26	4	14	25	M4x0.7	5	M5x0.8	6	18
20	12	14	26	10	40	11.5	8	9	8	20	16	33	19	12.5	29	5	16	30	M4x0.7	6	M6x1.0	8	20
25	15.5	18	32	13	50	15.0	10	10	10	22	20	43.5	21.5	13	33	5	20	38	M5x0.8	8	M8x1.25	10	28
32	19.5	22	40	17	62	19.6	12	11	12	29	24	51.5	23	12.5	42	6	24	48	M5x0.8	10	M10x1.25	12	32

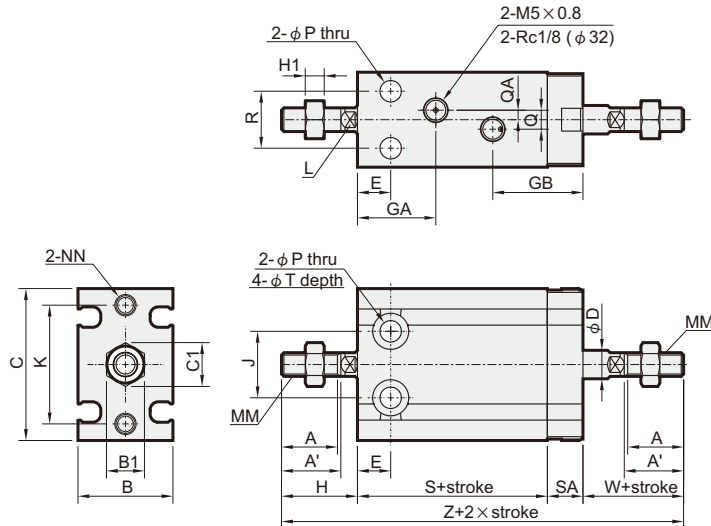
※ Without magnet with stroke=5mm, GA=14.5mm.

Code Tube I.D.	NN	P	Q	QA	R	T	U	Y	Without magnet		Magnet	
									S	Z	S	Z
6	M3x0.5x5depth	3.2	-	-	7	6x4.8depth	10	10.5	33	51	33	51
10	M3x0.5x5depth	3.2	-	-	9	6x5depth	10.5	11.5	36	57	36	57
16	M4x0.7x6depth	4.5	4	2	12	7.6x6.5depth	12.5	15.5	30	56	40	66
20	M5x0.8x8depth	5.5	9	4.5	16	9.3x8depth	13.5	19.5	36	65	46	75
25	M5x0.8x8depth	5.5	9	4.5	20	9.3x9depth	19	24.5	40	73	50	83
32	M6x1.0x9depth	6.6	13.5	4.5	24	11x11.5depth	21	30.5	42	84	52	94

$\phi 6, \phi 10$



$\phi 16 \sim \phi 32$



Code Tube I.D.	A	A'	B	B1	C	C1	D	E	GA	GB	H	H1	J	K	L	MM	NN	P	Q	QA	R	SA
6	7	-	13	5.5	22	6.4	3	7	15	16	13	1.8	10	17	-	M3×0.5	M3×0.5×5depth	3.2	-	-	7	6
10	10	-	15	7	24	8.1	4	7	16.5	16	16	2.4	11	18	-	M4×0.7	M3×0.5×5depth	3.2	-	-	9	6
16	11	12.5	20	8	32	9.2	6	7	※16.5	19	16	4	14	25	5	M5×0.8	M4×0.7×6depth	4.5	4	2	12	7.5
20	12	14	26	10	40	11.5	8	9	19	21.5	19	5	16	30	6	M6×1.0	M5×0.8×8depth	5.5	9	4.5	16	9
25	15.5	18	32	13	50	15.0	10	10	21.5	22	23	5	20	38	8	M8×1.25	M5×0.8×8depth	5.5	9	4.5	20	9
32	19.5	22	40	17	62	19.6	12	11	23	22.5	27	6	24	48	10	M10×1.25	M6×1.0×9depth	6.6	13.5	4.5	24	10

※ Without magnet with stroke=5mm, GA=14.5mm.

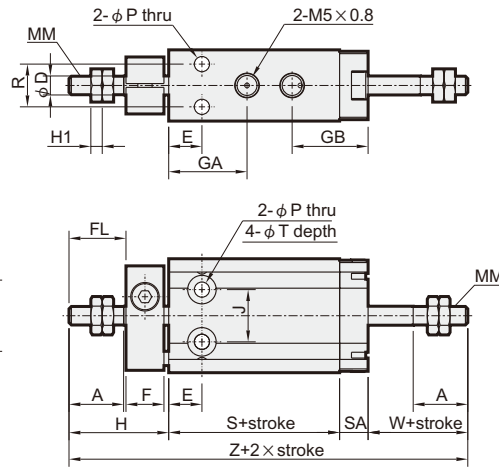
Code Tube I.D.	T	W	Without magnet		Magnet	
			S	Z	S	Z
6	6×4.8depth	13	38	70	38	70
10	6×5depth	16	36	74	36	74
16	7.6×6.5depth	16	30	69.5	40	79.5
20	9.3×8depth	19	36	83	46	93
25	9.3×9depth	23	40	95	50	105
32	11×11.5depth	27	42	106	52	116

MCFA Non-rotating rod / Double rod $\phi 6 \sim \phi 32$

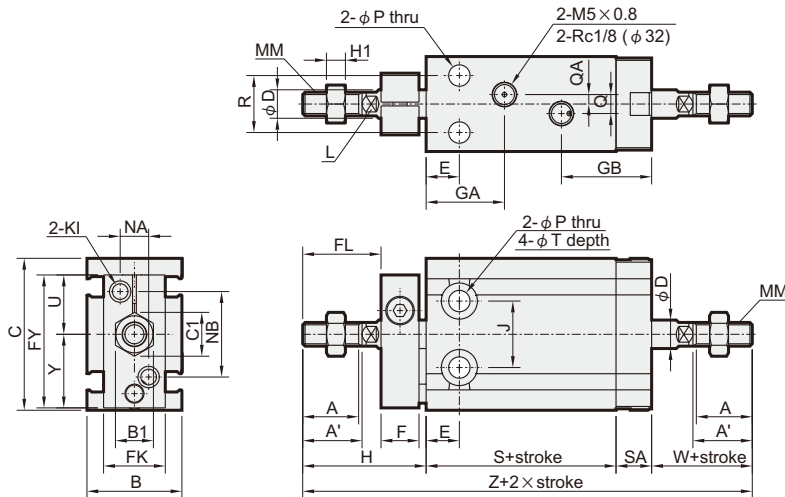
MULTI-MOUNT CYLINDER



$\phi 6, \phi 10$



$\phi 16 \sim \phi 32$



Code Tube I.D.	A	A'	B	B1	C	C1	D	E	F	FL	FK	FY	GA	GB	H	H1	J	KI	L	MM	NA	NB	P	Q
6	7	-	13	5.5	22	6.4	3	7	8	9	11	20.5	15	16	18	1.8	10	M3×0.5	-	M3×0.5	6	14	3.2	-
10	10	-	15	7	24	8.1	4	7	8	12	12	22	16.5	16	21	2.4	11	M3×0.5	-	M4×0.7	7	15	3.2	-
16	11	12.5	20	8	32	9.2	6	7	8	17	13	28	※16.5	19	26	4	14	M4×0.7	5	M5×0.8	6	18	4.5	4
20	12	14	26	10	40	11.5	8	9	8	20	16	33	19	21.5	29	5	16	M4×0.7	6	M6×1.0	8	20	5.5	9
25	15.5	18	32	13	50	15.0	10	10	10	22	20	43.5	21.5	22	33	5	20	M5×0.8	8	M8×1.25	10	28	5.5	9
32	19.5	22	40	17	62	19.6	12	11	12	29	24	51.5	23	22.5	42	6	24	M5×0.8	10	M10×1.25	12	32	6.6	13.5

※ Without magnet with stroke=5mm, GA=14.5mm.

Code Tube I.D.	QA	R	SA	T	U	W	Y	Without magnet		Magnet	
								S	Z	S	Z
6	-	7	6	6×4.8depth	10	13	10.5	38	75	38	75
10	-	9	6	6×5depth	10.5	16	11.5	36	79	36	79
16	2	12	7.5	7.6×6.5depth	12.5	16	15.5	30	79.5	40	89.5
20	4.5	16	9	9.3×8depth	13.5	19	19.5	36	93	46	103
25	4.5	20	9	9.3×9depth	19	23	24.5	40	105	50	115
32	4.5	24	10	11×11.5depth	21	27	30.5	42	121	52	131