



Features

- Many mounting options available.
- Interchangeable with other manufacturers.

Specification

Model	MCCN						
Acting type	Double acting						
Tube I.D.	20	25	32	40	50	63	
Port size	NPT1/8			NPT1/4			
Medium	Air						
Max operating pressure	1 MPa						
Min operating pressure	0.05 MPa						
Proof pressure	1.5 MPa						
Ambient temperature	- 5~ + 60°C (No freezing)						
Lubrication	Not required						
Available speed range	50~500 mm/sec						
Max. allowable kinetic energy (J)	Cushion pad	0.28	0.41	0.66	1.2	2	3.4
	Adjustable cushion	0.35	0.56	0.91	1.8	3.4	4.9
Sensor switch (※)	RCA						
Sensor switch holder	BGA20	BGA25	BGA32	BGA40	BGA50	BGA63	

Table for standard stroke

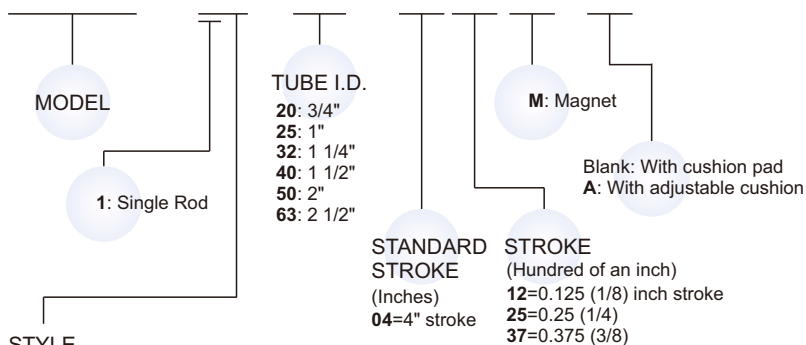
Unit: inch

Tube I.D.	Stroke	Long stroke
3/4"	1, 2, 3, 4, 5, 6, 8	8.01 ~ 14
1"	1, 2, 3, 4, 5, 6, 8, 10, 12	12.01 ~ 16
1 1/4"		12.01 ~ 18
1 1/2"		12.01 ~ 32
2"		12.01 ~ 48
2 1/2"		12.01 ~ 48


Please reconfirm the dimension with our sales department when the stroke over our standard.

Order example

MCCN - 11 - 40 - 0425 M - A

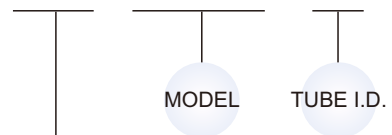


STYLE


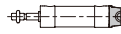
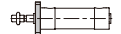
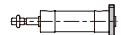

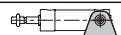
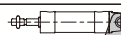

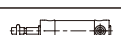
Code	Symbol	Description
1 1		Double acting / Male thread

Mounting accessories

FAC - MCCN - 40

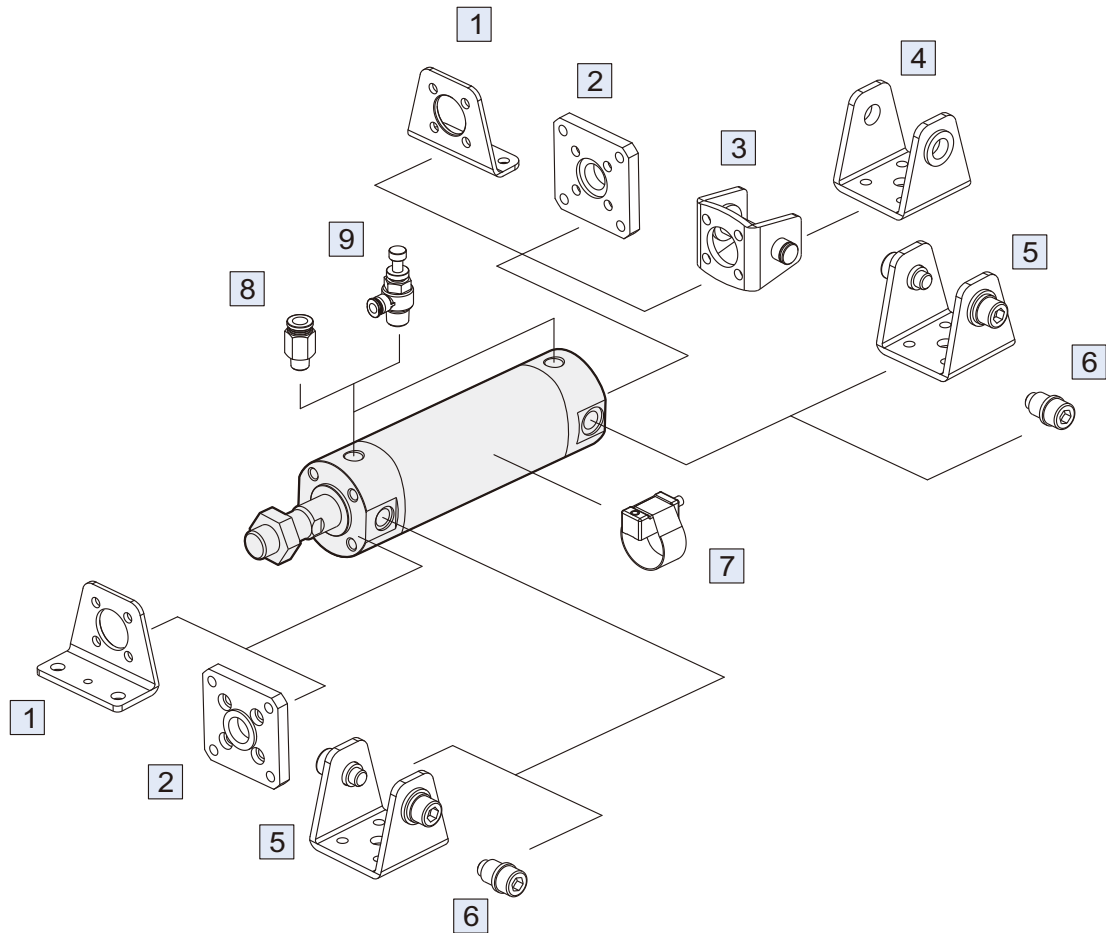


MOUNTING TYPE

	LB
	CB
	FAC
	FBC
	SDB-R
	SDB-H
	CB+SDB
	TA
	TB

※ Order example for special specification, refer to page 0-7.

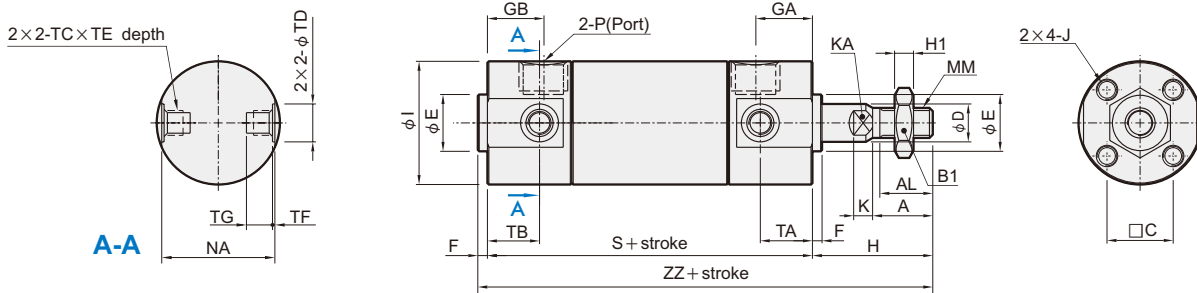
※ Order example for component parts and repair kits, refer to page 3-71.



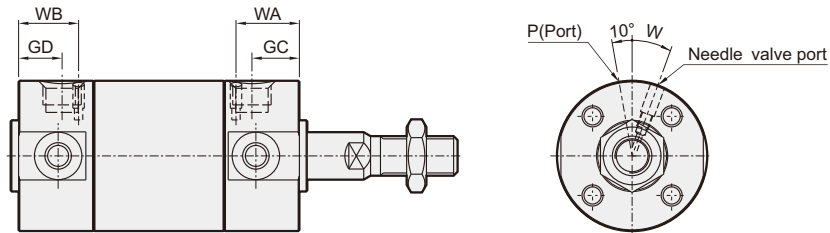
No.	Accessories	Page
1	Mounting accessories LB	3-83
2	Mounting accessories FAC/FBC	3-83
3	Mounting accessories CB+PIN	3-82
4	Mounting accessories SDB	3-84
5	Mounting accessories SDB-R/H	3-84
6	Mounting accessories TA/TB	3-84
7	Sensor switch RCA+BGA**	8-6
8	Fitting PC (PISCO)	8-5 (Vol.1)
9	Speed controller JSC (PISCO)	8-18 (Vol.1)

ROUND CYLINDER

mindman



With adjustable cushion



Unit: inch

Code Tube I.D.	Standard stroke range	Long stroke range	A	AL	B1	C	D	E	F	GA	GB	GC	GD	H	H1	I	J	K
20	~ 8	8.01 ~ 14	0.50	0.44	0.44	0.55	0.315	0.472 ^{+0 -0.002}	0.08	0.47	0.47 (0.47)	0.47	0.47 (0.47)	1	0.16	1.02	#8-32×0.28 dp	0.157
25	~12	12.01 ~ 16	0.50	0.44	0.50	0.65	0.394	0.551 ^{+0 -0.002}	0.08	0.47	0.47 (0.47)	0.47	0.47 (0.47)	1.12	0.19	1.22	#10-32×0.30 dp	0.197
32	~12	12.01 ~ 18	0.75	0.69	0.69	0.79	0.472	0.709 ^{+0 -0.002}	0.08	0.47	0.43 (0.47)	0.47	0.43 (0.47)	1.63	0.26	1.50	#10-32×0.30 dp	0.217
40	~12	12.01 ~ 32	0.75	0.69	0.69	1.02	0.630	0.984 ^{+0 -0.002}	0.08	0.51	0.47 (0.51)	0.51	0.39 (0.51)	1.63	0.26	1.85	1/4-28×0.47 dp	0.3
50	~12	12.01 ~ 48	0.88	0.84	0.75	1.26	0.787	1.181 ^{+0 -0.002}	0.08	0.55	0.51 (0.51)	0.55	0.47 (0.55)	2.07	0.32	2.28	5/16-24×0.63 dp	0.276
63	~12	12.01 ~ 48	0.88	0.84	0.75	1.50	0.787	1.260 ^{+0 -0.002}	0.08	0.55	0.51 (0.51)	0.55	0.47 (0.55)	2.07	0.32	2.83	3/8-24×0.63 dp	0.276

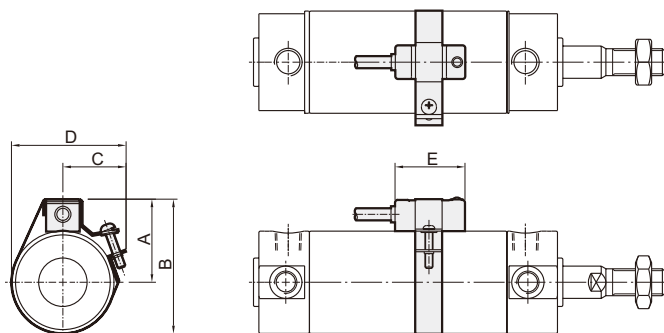
Code Tube I.D.	KA	MM	NA	P	S	TA	TB	TC	TD _{H9}	TE	TF	TG	W	WA	WB	ZZ
20	0.24	1/4-28 UNF	0.94	NPT1/8	2.72 (3.03)	0.43	0.43 (0.43)	M5×0.8	0.315	0.157	0.020	0.217	40°	0.551	0.551 (0.551)	3.80 (4.11)
25	0.31	5/16-24 UNF	1.14	NPT1/8	2.72 (3.03)	0.43	0.43 (0.43)	M6×0.75	0.394	0.197	0.039	0.256	40°	0.551	0.511 (0.511)	3.92 (4.23)
32	0.39	7/16-20 UNF	1.42	NPT1/8	2.80 (3.11)	0.43	0.39 (0.43)	M8×1.0	0.472	0.217	0.049	0.295	30°	0.551	0.511 (0.511)	4.51 (4.82)
40	0.55	7/16-20 UNF	1.73	NPT1/8	3.07 (3.43)	0.47	0.39 (0.47)	M10×1.25	0.551	0.236	0.049	0.315	20°	0.629	0.590 (0.629)	4.78 (5.14)
50	0.71	1/2-20 UNF	2.17	NPT1/4	3.54 (4.02)	0.51	0.47 (0.51)	M12×1.25	0.630	0.295	0.079	0.394	20°	0.629	0.629 (0.629)	5.69 (6.17)
63	0.71	1/2-20 UNF	2.72	NPT1/4	3.54 (4.02)	0.51	0.47 (0.51)	M14×1.5	0.709	0.453	0.118	0.571	20°	0.708	0.708 (0.708)	5.69 (6.17)

() : Dimension for long stroke.

Installation of sensor switch

Sensor switch: RCA

Sensor switch band: BGA**

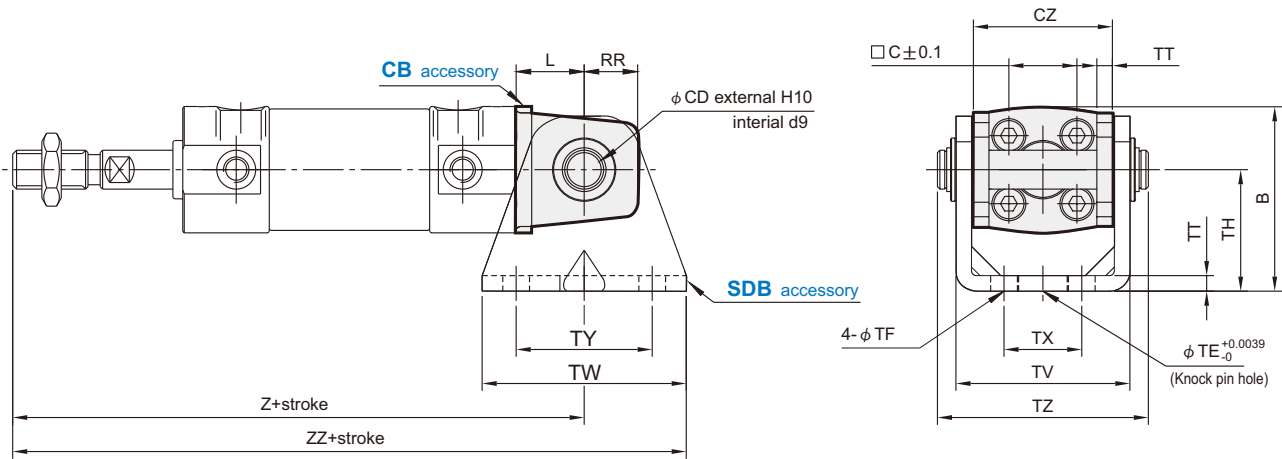


Unit: inch

Code Tube I.D.	A	B	C	D	E
20	0.709	1.220	0.984	1.50	1.024
25	0.787	1.378	1.063	1.654	1.024
32	0.945	1.693	1.220	1.969	1.024
40	1.142	2.087	1.417	2.362	1.024
50	1.339	2.480	1.614	2.756	1.024
63	1.614	3.031	1.890	3.307	1.024

ROUND CYLINDER

CB SDB+Pin (Extra purchase)



Unit: inch

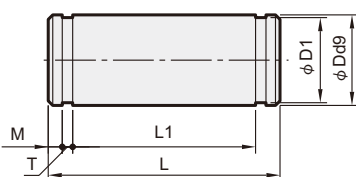
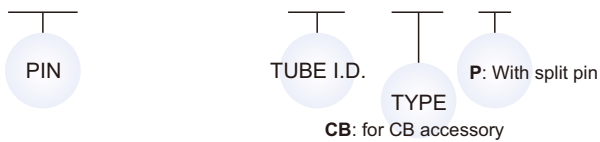
Code Tube I.D.	B	CD	CZ	L	RR	TE	TF	TH	TT	TV	TW	TX	TY	TZ	Z	ZZ
20	1.50	0.315	1.14	0.55	0.43	0.394	0.22	0.98	0.13	1.41	1.65	0.63	1.10	1.71	4.27 (4.58)	5.10 (5.41)
25	1.79	0.394	1.30	0.63	0.51	0.394	0.22	1.18	0.13	1.57	1.65	0.79	1.10	1.89	4.47 (4.78)	5.30 (5.61)
32	2.13	0.472	1.57	0.79	0.59	0.394	0.26	1.38	0.18	1.94	1.89	0.87	1.10	2.34	5.22 (5.53)	6.16 (6.47)
40	2.50	0.551	1.93	0.87	0.71	0.394	0.26	1.57	0.18	2.30	2.20	1.18	1.18	2.81	5.57 (5.93)	6.67 (7.03)
50	3.11	0.630	2.36	0.98	0.79	0.787	0.35	1.97	0.24	2.85	2.52	1.42	1.42	3.39	6.59 (7.07)	7.85 (8.33)
63	3.78	0.709	2.91	1.18	0.87	0.787	0.43	2.36	0.31	3.56	2.91	1.81	1.81	4.15	6.79 (7.27)	8.25 (8.73)

(): Dimension for long stroke.

Pin

Order example ※ MCCG / MCCN are common accessories.

PIN - MCCG - 32 - CB - P



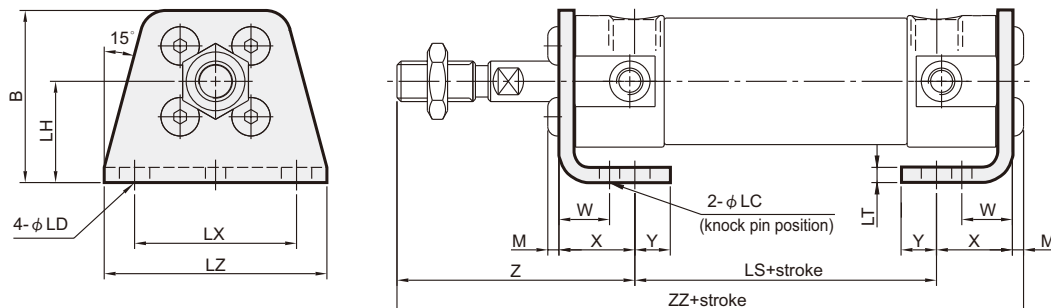
for CB

Unit: inch

Code Tube I.D.	Dd9	D1	L	L1	M	T	Snap ring
20	0.315 $^{+0.0016}_{-0.0030}$	0.30	1.71	1.52	0.06	0.04	STW-8
25	0.394 $^{+0.0016}_{-0.0030}$	0.38	1.89	1.68	0.06	0.05	STW-10
32	0.472 $^{+0.0020}_{-0.0037}$	0.45	2.34	2.13	0.06	0.05	STW-12
40	0.551 $^{+0.0020}_{-0.0037}$	0.53	2.81	2.56	0.08	0.05	STW-14
50	0.630 $^{+0.0020}_{-0.0037}$	0.60	3.39	3.13	0.08	0.05	STW-16
63	0.709 $^{+0.0020}_{-0.0037}$	0.67	4.15	3.85	0.10	0.05	STW-18

ROUND CYLINDER

LB

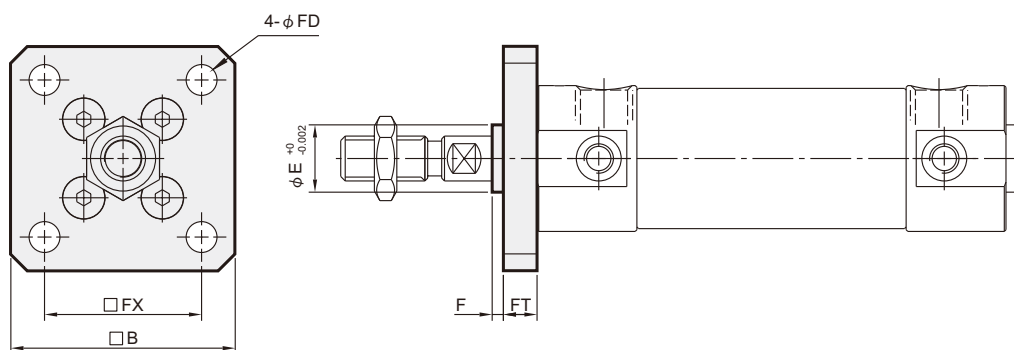


Unit: inch

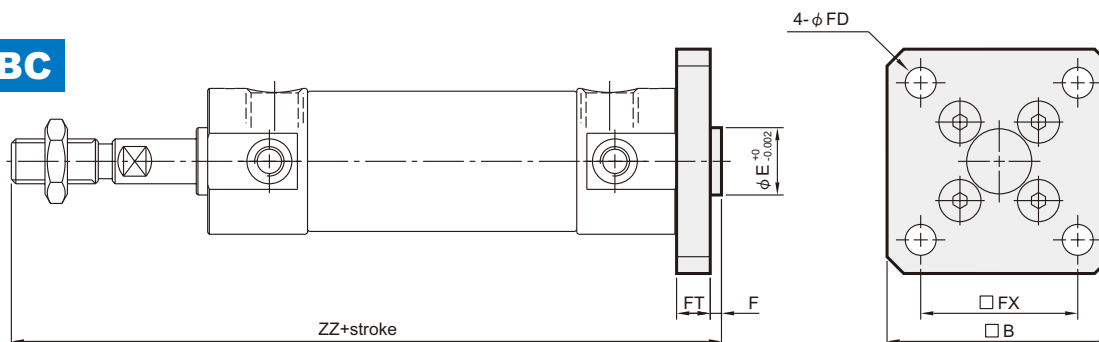
Code Tube I.D.	B	LC	LD	LH	LS	LT	LX	LZ	M	W	X	Y	Z	ZZ
20	1.34	0.16	0.24	0.79	1.78 (2.09)	0.12	1.26	1.73	0.09	0.39	0.59	0.28	1.47	3.93 (4.24)
25	1.52	0.16	0.24	0.87	1.78 (2.09)	0.12	1.42	1.93	0.11	0.39	0.59	0.28	1.59	4.07 (4.38)
32	1.77	0.16	0.26	0.98	1.78 (2.09)	0.12	1.73	2.28	0.11	0.39	0.63	0.31	2.14	4.66 (4.97)
40	2.15	0.16	0.26	1.18	2.01 (2.37)	0.12	2.13	2.80	0.13	0.39	0.65	0.33	2.16	4.95 (5.31)
50	2.78	0.20	0.35	1.57	2.16 (2.64)	0.18	2.60	3.39	0.17	0.69	0.87	0.43	2.76	5.96 (6.44)
63	3.25	0.20	0.43	1.77	2.16 (2.64)	0.18	3.23	4.17	0.22	0.69	0.87	0.51	2.76	6.01 (6.49)

(): Dimension for long stroke.

FAC



FBC



Unit: inch

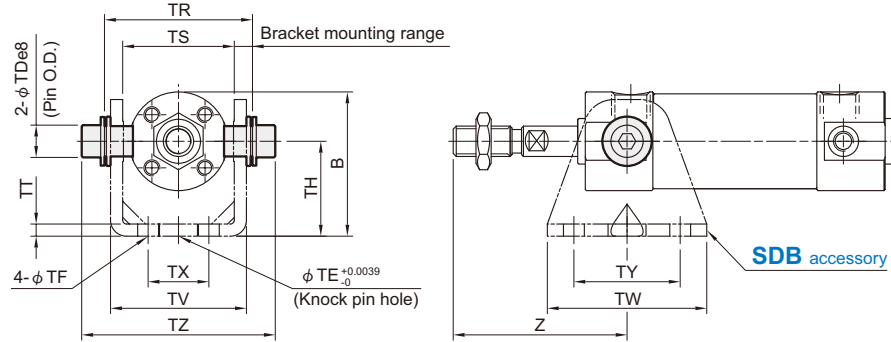
Code Tube I.D.	B	E	F	FX	FD	FT	ZZ
20	1.57	0.472	0.08	1.10	0.22	0.24	4.04 (4.35)
25	1.73	0.551	0.08	1.26	0.22	0.28	4.20 (4.51)
32	2.09	0.709	0.08	1.50	0.26	0.28	4.79 (5.10)
40	2.40	0.984	0.08	1.81	0.26	0.31	5.09 (5.45)
50	2.99	1.181	0.08	2.28	0.35	0.35	6.04 (6.36)
63	3.62	1.260	0.08	2.76	0.43	0.35	6.04 (6.36)

(): Dimension for long stroke.

ROUND CYLINDER

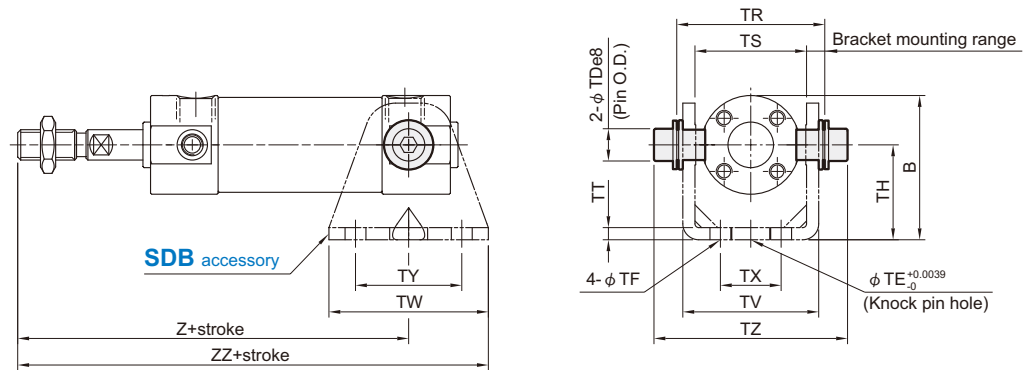
TA

Front trunnion



TB

Rear trunnion

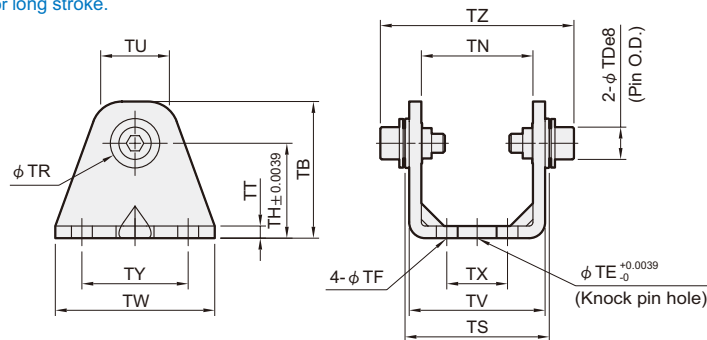


Unit: inch

Code Tube I.D.	B	TDe8	TE	TF	TH	TR	TS	TT	TV	TW	TX	TY	TZ	Front		Rear	
														Z	Z	ZZ	
20	1.50	0.315	0.394	0.22	0.98	1.54	1.14	0.13	1.41	1.65	0.63	1.10	2.00	1.43	3.29 (3.60)	4.12 (4.43)	
25	1.79	0.394	0.394	0.22	1.18	1.69	1.30	0.13	1.57	1.65	0.79	1.10	2.27	1.55	3.41 (3.72)	4.24 (4.55)	
32	2.13	0.472	0.394	0.26	1.38	2.11	1.57	0.18	1.94	1.89	0.87	1.10	2.88	2.06	4.04 (4.31)	4.98 (5.29)	
40	2.50	0.551	0.394	0.26	1.57	2.54	1.93	0.18	2.30	2.20	1.18	1.18	3.52	2.10	4.31 (4.59)	5.41 (5.77)	
50	3.11	0.630	0.787	0.35	1.97	3.15	2.36	0.24	2.85	2.52	1.42	1.42	4.29	2.58	5.14 (5.58)	6.40 (6.84)	
63	3.78	0.709	0.787	0.43	2.36	3.86	2.91	0.31	3.56	2.91	1.81	1.81	5.15	2.58	5.14 (5.58)	6.60 (7.04)	

() : Dimension for long stroke.

SDB



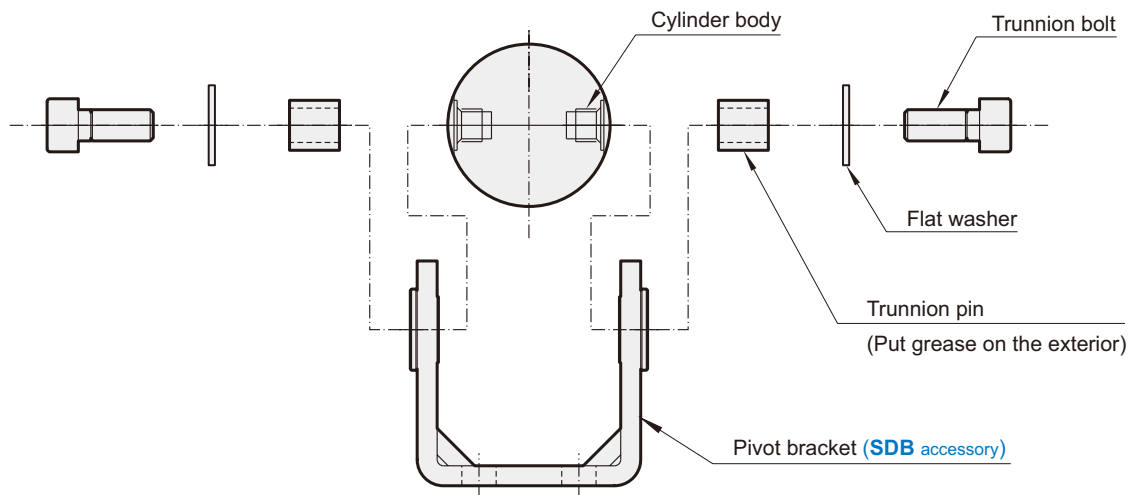
Unit: inch

Code Tube I.D.	TB	TE	TF	TH	TN	TR	TT	TU	TV	TW	TX	TY	TS	TZ	Applicable pin O.D.
20	1.42	0.394	0.22	0.98	1.15	0.51	0.13	0.71	1.41	1.65	0.63	1.10	1.50	2.00	0.315 -0.0030
25	1.69	0.394	0.22	1.18	1.30	0.59	0.13	0.81	1.57	1.65	0.79	1.10	1.65	2.27	0.394 -0.0030
32	1.97	0.394	0.26	1.38	1.59	0.67	0.18	0.93	1.94	1.89	0.87	1.10	2.06	2.88	0.472 -0.0037
40	2.28	0.394	0.26	1.57	1.94	0.83	0.18	1.07	2.30	2.20	1.18	1.18	2.50	3.52	0.551 -0.0037
50	2.76	0.787	0.35	1.97	2.38	0.94	0.24	1.17	2.85	2.52	1.42	1.42	3.10	4.29	0.630 -0.0037
63	3.23	0.787	0.43	2.36	2.94	1.02	0.31	1.35	3.56	2.91	1.81	1.81	3.80	5.15	0.709 -0.0037

ROUND CYLINDER

Trunnion

Follow the procedures below when mounting a pivot bracket on the trunnion.



Clevis

Follow the procedures below when mounting a pivot bracket on the clevis.

