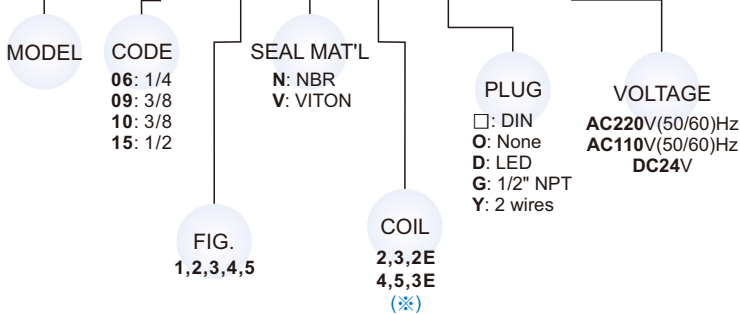


Order example

MBD-09-2-V-3-D-AC110



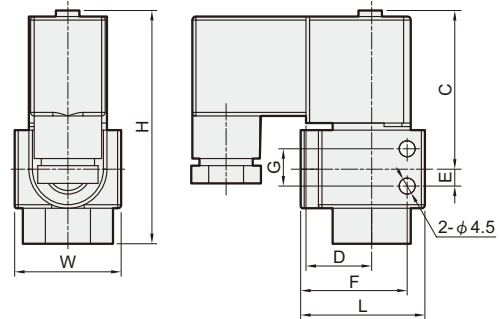
※ Explosion-Proof (2E/3E) coil with LED (D) plug is not applicable.

Specification

- IP65 100% ED coil
- PTB approval EExmII T4 coil

Dimensions

Model	MBD			
Code Dimension (mm)	6	9	10	15
L	36		46	
H	31		37	
W	69		91	
C	49		67	
D	21		28	
E	8.5		7	
F	30		41	
G	11			
N.W.(Kg)	Coil 2	0.26	0.25	—
	Coil 3	0.30	0.29	—
	Coil 2E	0.66	0.65	—
	Coil 4	—	0.50	0.49
	Coil 5	—	0.59	0.58
	Coil 3E	—	0.84	0.83



Specification

Model MBD: Steel body, for water. air. gas. light oil. vacuum.														
Code (PIPE) G	Seal	Coil	Orifice mm	Temp. °C				Working press. bar						CV
				Coil 2 · 2E		Coil 3		Coil 2		Coil 3		Coil 2E		
				N	V	N	V	AC	DC	AC	DC	AC	DC	
06 (1/4) 09 (3/8)	N V	2 3 2E	2.0	-10 ∧ 90	-10 ∧ 90	-10 ∧ 145	13	5	20	10	14	8	0.14	
			2.5				7	2.5	11	6	7	4		0.18
			3.0				5	2	9	4	5	3		0.27
			3.5				2	0.5	4	2	3	1		0.30
Code (PIPE) G	Seal	Coil	Orifice mm	Temp. °C		Working press. bar						CV		
				Coil 4 · 5 · 3E		Coil 4		Coil 5		Coil 3E				
				N	V	AC	DC	AC	DC	AC	DC			
10 (3/8) 15 (1/2)	N V	4 5 3E	3.5	-10 ∧ 90	-10 ∧ 160	20	16	25	20	16	16	0.45		
			4.0			16	13	20	16	10	13		0.53	
			4.5			13	10	16	13	8	10		0.65	
			5.0			8	5	12	10	4	5		0.83	
			6.0			4.5	1.5	7	3	1.5	1.5		0.95	

Power consumption

Coil power	2	3	2E
AC 50/60Hz(VA)	6.9	8.0	5.7
DC(W)	6.0	6.8	5.2

Coil power	4	5	3E
AC 50/60Hz(VA)	19.5	23.0	9.2
DC(W)	15.0	18.5	10.0