

MATFR401 series

AIR UNITS (F.R.UNIT)



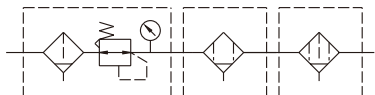
mindman



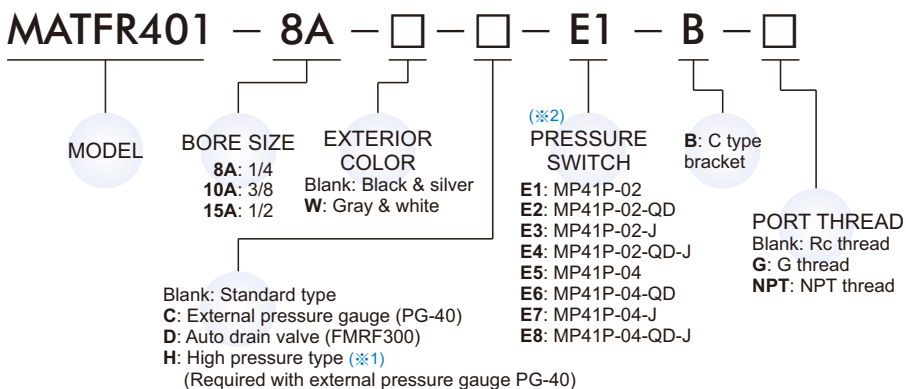
Specification

Model	MATFR401		
Bore No.	8A	10A	15A
Port size	1/4	3/8	1/2
Medium	Air		
Operating pressure range (※)	0.05~1.5 MPa		
Proof pressure	2 MPa		
Regulated pressure range	Standard type: 0.1~0.85 MPa		
	High pressure type: 0.1~1.5 MPa		
Ambient temperature	-5~+60℃ (No freezing)		
Filter element	5 μm+0.3 μm+0.01 μm		
Attachment	Pressure gauge (PG-20)		
Weight	2106 g		

Symbol



Order example

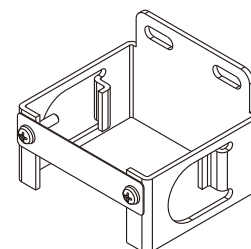


※1. (H) High pressure type can not choose with auto drain valve (FMRF300) when operating pressure over than 1 MPa.

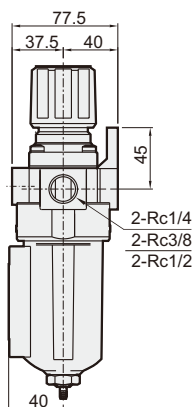
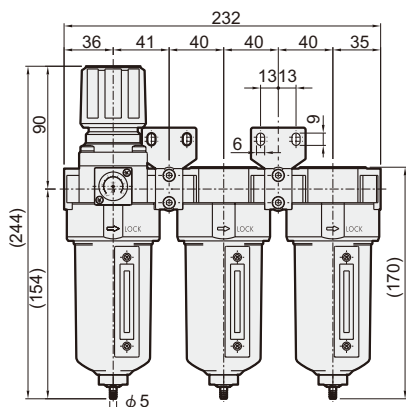
※2. Refer to page 5-11 for the option of digital pressure switch MP41.

Option accessories

C type bracket



MATFR401



MATFR401-B

