

MAL401 series

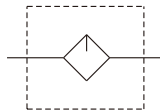
AIR UNIT (L.UNIT)



mindman



Symbol



Specification

Model	MAL401		
Bore No.	8A	10A	15A
Port size	1/4	3/8	1/2
Medium	Air		
Max. operating pressure	1.5 MPa		
Proof pressure	2 MPa		
Ambient temperature	-5~+60°C (No freezing)		
Lubricating oil capacity	200 c.c		
Max. flow rate (※) ℓ/min	1200	2000	2100
Min. flow for oil drip	30 ℓ/min	65 ℓ/min	80 ℓ/min
Recommended lubricating oil	Turbine oil ISO-VG32		
Weight	545 g		

※ Flow is at pressure P=0.7 MPa with pressure drop $\Delta P=0.03$ MPa. (ANR)

Order example

MAL401 — 8A — □ — B — □

MODEL

BORE SIZE

8A: 1/4
10A: 3/8
15A: 1/2

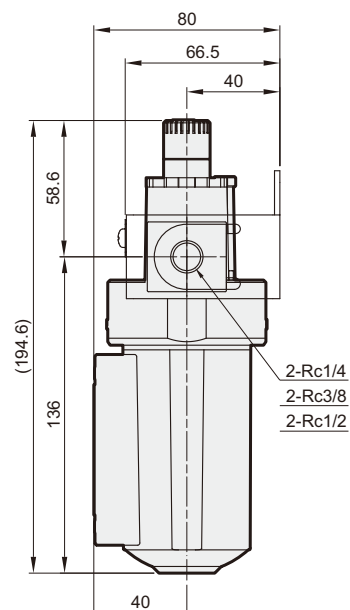
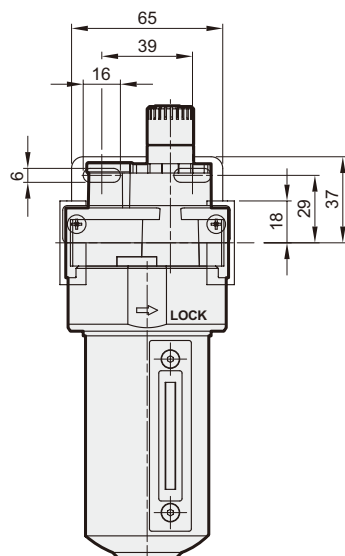
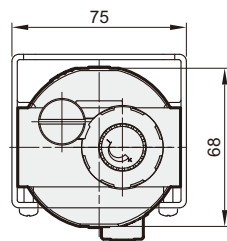
EXTERIOR COLOR

Blank: Black & silver
W: Grey & white

B: C type bracket

PORT THREAD

Blank: Rc thread
G: G thread
NPT: NPT thread



Option accessories

C type bracket

