

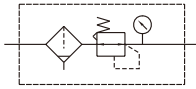
MAFR401 series

AIR UNIT (F.R. UNIT)



Option: **MP41**

Symbol



Specification

Model	MAFR401		
Bore No.	8A	10A	15A
Port size	1/4	3/8	1/2
Medium	Air		
Operating pressure range (※)	0.05~1.5 MPa		
Proof pressure	2 MPa		
Regulated pressure range	Standard type: 0.1~0.85 MPa		
	High pressure type: 0.1~1.5 MPa		
Ambient temperature	-5~+60°C (No freezing)		
Filter element	Standard: 40 μm, Option: 5 μm		
Attachment	Pressure gauge (PG-20), L-type bracket		
Weight	800 g		

※1. Standard unit contains semi-auto-drain function when operating pressure below 0.05 MPa.

※2. Choose auto-drain FMRF300, the pressure range is 0.15 ~ 1 MPa.

Order example

MAFR401 - 8A - □ - □ - E1 - □ - □

MODEL

BORE SIZE

8A: 1/4
10A: 3/8
15A: 1/2

EXTERIOR COLOR

Blank: Black & silver
W: Gray & white

Blank: Standard type

C: External pressure gauge (PG-40)

D: Auto drain valve (FMRF300)

H: High pressure type (Required with external pressure gauge PG-40)

P: Pressure switch (MPS series)

PRESSURE SWITCH

E1: MP41P-02
E2: MP41P-02-QD
E3: MP41P-02-J
E4: MP41P-02-QD-J
E5: MP41P-04
E6: MP41P-04-QD
E7: MP41P-04-J
E8: MP41P-04-QD-J

※ Refer to page 5-11 for the option of digital pressure switch MP41.

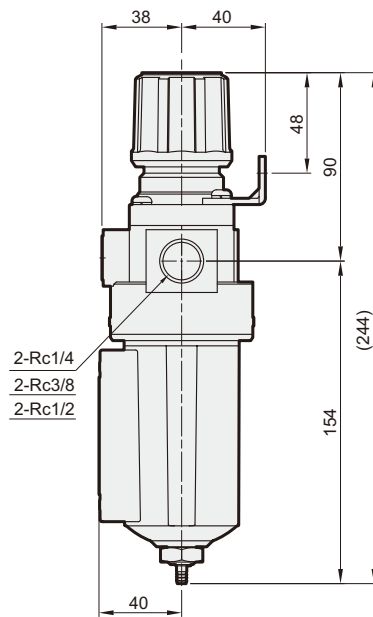
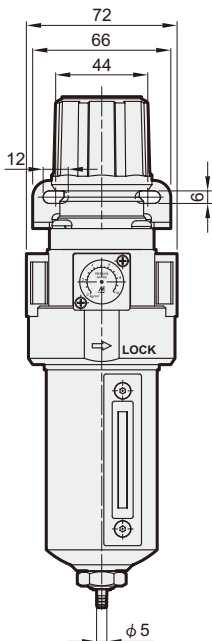
※ (H) High pressure type can not choose with auto drain valve (FMRF300) when operating pressure over than 1 MPa.

FILTER ELEMENT

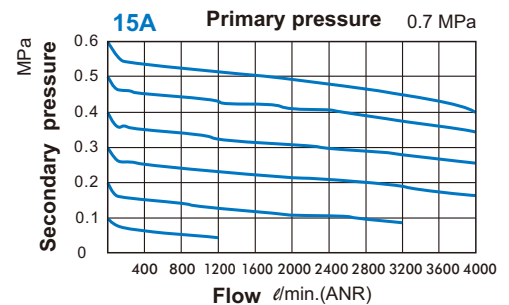
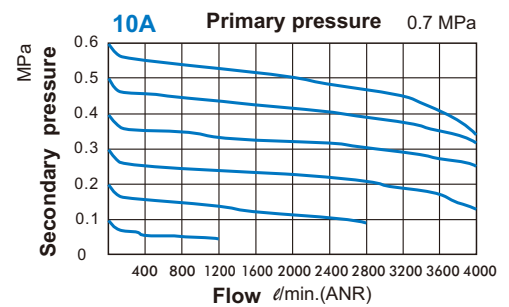
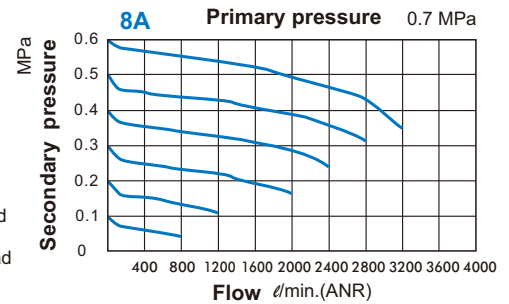
Blank: 40 μm
5u: 5 μm

PORT THREAD

Blank: Rc thread
G: G thread
NPT: NPT thread



Flow feature



MAFR401-HT With shutoff valve

AIR UNIT (F.R. UNIT)



Order example

MAFR401 - 8A - □ - D - E1 - □ - HT - □

MODEL

BORE SIZE

8A: 1/4
10A: 3/8
15A: 1/2

EXTERIOR COLOR

Blank: Black & silver
W: Gray & white

PRESSURE SWITCH

E1: MP41P-02
E2: MP41P-02-QD
E3: MP41P-02-J
E4: MP41P-02-QD-J
E5: MP41P-04
E6: MP41P-04-QD
E7: MP41P-04-J
E8: MP41P-04-QD-J

FILTER ELEMENT

Blank: 5 μ m
40u: 40 μ m

PORT THREAD

Blank: Rc thread
G: G thread
NPT: NPT thread

SHUTOFF VALVE

HT: MVHT-400-3H

Blank: Standard type
C: External pressure gauge (PG-40)
D: Auto drain valve (FMRF300)
H: High pressure type (Required with external pressure gauge PG-40)
P: Pressure switch (MPS series)

※ Refer to page 5-11 for the option of digital pressure switch MP41.

※ (H) High pressure type can not choose with auto drain valve (FMRF300) when operating pressure over than 1 MPa.

