

MAFF401AD / DM series

AIR UNIT (MIST / MIST / MICROMIST FILTER)



mindman



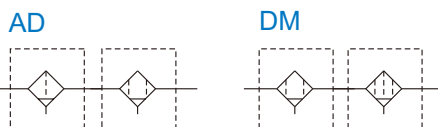
Specification

Model	MAFF401AD	MAFF401DM
Bore No.	8A, 10A, 15A	
Port size	1/4, 3/8, 1/2	
Medium	Air	
Operating pressure range	0.05~1.5 MPa	
Proof pressure	2 MPa	
Ambient temperature	-5~+60°C (No freezing)	
Filter element	5 μm+0.3 μm	0.3 μm+0.01 μm
Weight	1133 g	

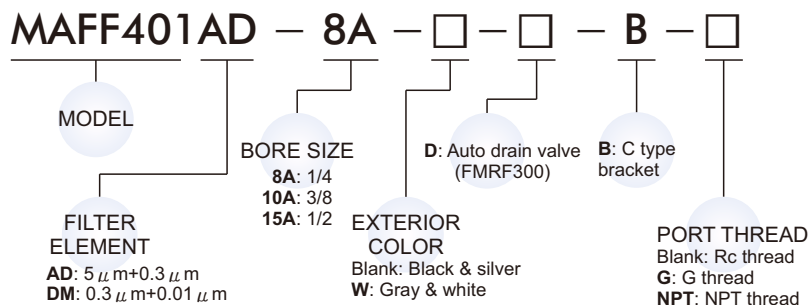
※1. Standard unit contains semi-auto-drain function when operating pressure below 0.05 MPa.

※2. Choose auto-drain FMRF300, the pressure range is 0.15 ~ 1 MPa.

Symbol

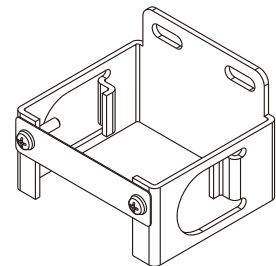


Order example

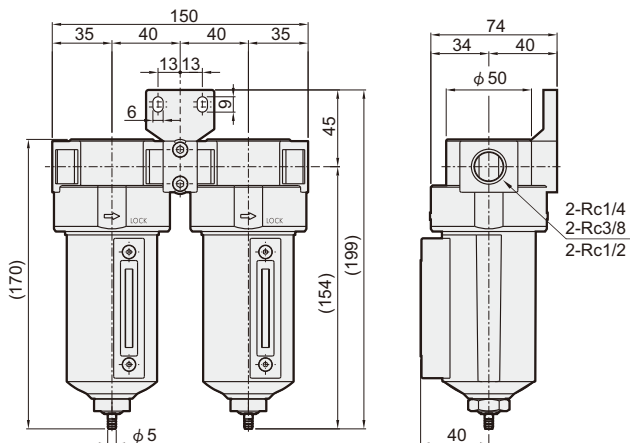


Option accessories

C type bracket



MAFF401**



MAFF401**-B

