

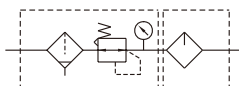
# MACP403 series

AIR UNIT (F.R.L.UNIT)



Option: MP41

### Symbol



### Specification

Model	MACP403		
Components	MAFR403, MAL403		
Bore No.	8A	10A	15A
Port size	1/4	3/8	1/2
Medium	Air		
Operating pressure range (※)	0.05~1 MPa		
Proof pressure	1.5 MPa		
Regulated pressure range	0.1~0.85 MPa		
Ambient temperature	-5~+60°C (no freezing)		
Filter element	Standard: 40 μm Option: 5 μm		
Lubricating oil capacity	140 c.c		
Min. Flow for oil drip	30 ℓ/min	65 ℓ/min	80 ℓ/min
Recommended lubricating oil	Turbine oil ISO-VG32		
Attachment	Pressure gauge(PG-20), L-type bracket		
Weight	1100 g		

※1. Standard unit contains semi-auto-drain function when operating pressure below 0.05 MPa.

※2. Choose auto-drain FMRF300, the pressure range is 0.15 ~ 1 MPa.

### Order example

MACP403 — 8A — □ — E1 — □ — T8 — □

MODEL

BORE SIZE

8A: 1/4  
10A: 3/8  
15A: 1/2

(※1)  
PRESSURE SWITCH

E1: MP41P-02  
E2: MP41P-02-QD  
E3: MP41P-02-J  
E4: MP41P-02-QD-J  
E5: MP41P-04  
E6: MP41P-04-QD  
E7: MP41P-04-J  
E8: MP41P-04-QD-J

※1. Refer to page 6-11 for the option of digital pressure switch MP41.  
※2. Be sure to use above check valves when redirecting the air flow on the inlet side of the lubricator.

FILTER ELEMENT  
Blank: 40 μm  
5u: 5 μm

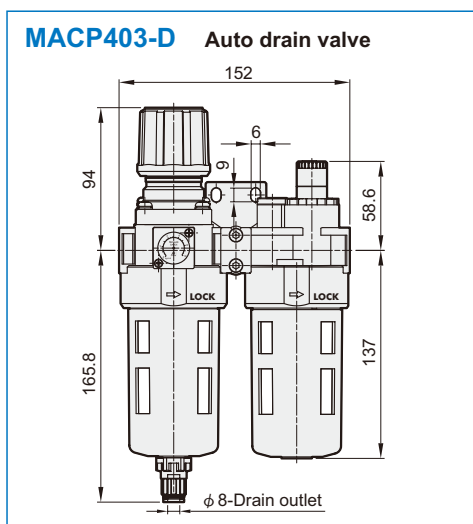
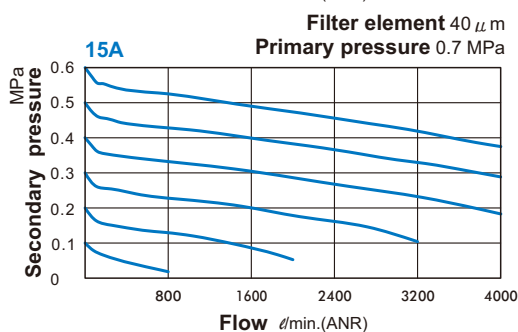
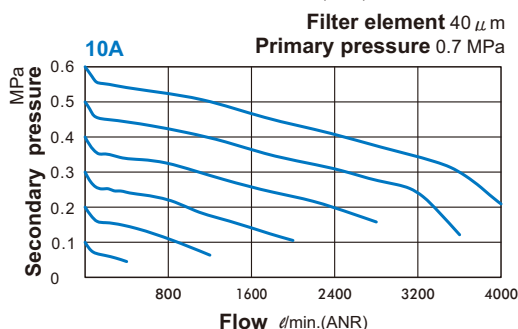
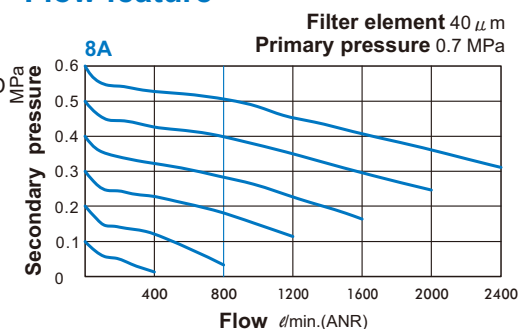
BY-PASS BORE SIZE

T type bracket	T8 : 1/4 T10 : 3/8 T15 : 1/2
Check valve (※2)	K8 : 1/4 K10 : 3/8

PORT THREAD  
Blank: Rc thread  
G: G thread  
NPT: NPT thread

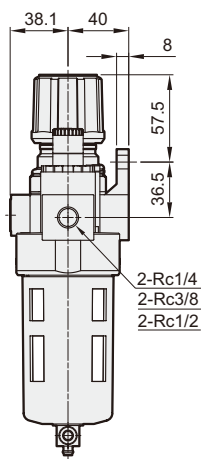
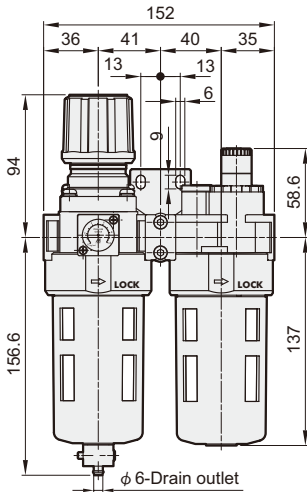
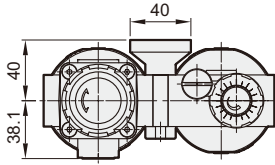
Blank: Standard type  
C: External pressure gauge (PG-40)  
D: Auto drain valve (FMRF300)  
P: Pressure switch (MPS series)  
N: Nylon bowl

### Flow feature

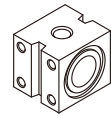
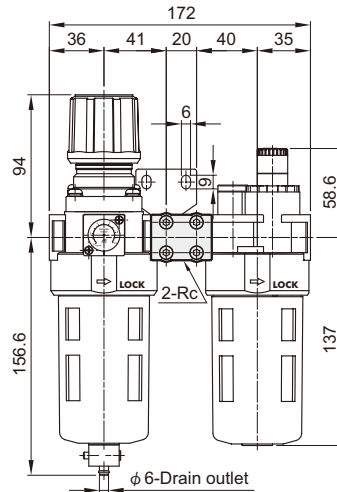


# MACP403 Dimensions

## AIR UNIT (F.R.L.UNIT)

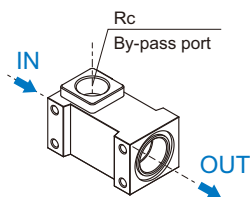
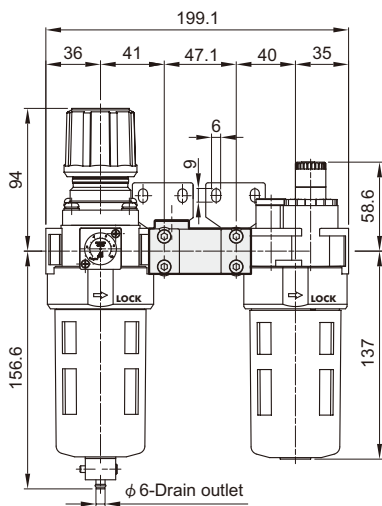


### MACP403-T\*



	Rc
T8	Rc1/4
T10	Rc3/8
T15	Rc1/2

### MACP403-K\*



	Rc
K8	Rc1/4
K10	Rc3/8

※ Threads for IN and OUT ports aren't machined.

### MACP403-P

MPS Series  
pneumatic pressure switch

