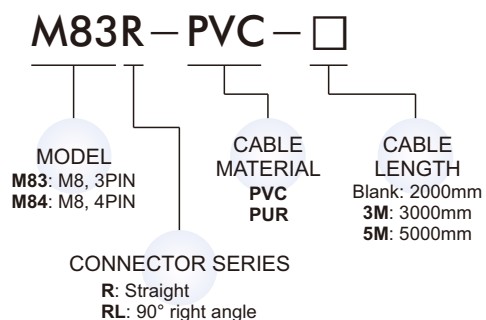




### Specification

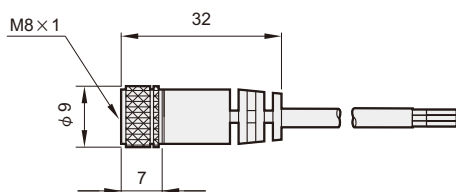
Model	M83R / M83RL		M84R / M84RL	
Female pinout				
Number of contacts	3		4	
Rated voltage	60V DC/AC			
Rated current	3A			
Contact material	Gold plated brass			
Contact bearer material	PA			
Housing material	PP			
Housing color	Black			
Cable material	φ 4.5, PVC	φ 4.5, PUR	φ 4.5, PVC	φ 4.5, PUR
Cable color	Grey	Black	Grey	Black
Temperature	-20°C ~ +80°C (No freezing)			
Cable conductor	24AWG			
Protection class	IEC60529 IP 67			

### Order example



### Dimensions

#### ● Straight (M83R/ M84R)



#### ● 90° Right angle (M83RL/ M84RL)

