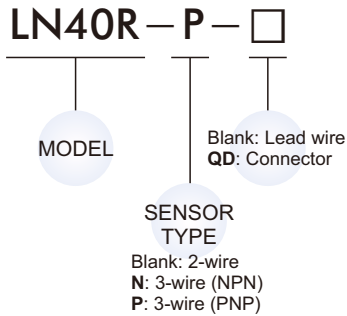




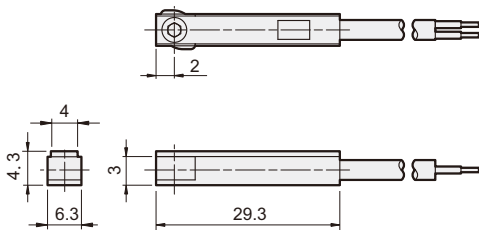
Specification

Model	LN40R	LN40R-N	LN40R-P
Wiring method	2 Wire	3 Wire	
Contracts	Normally open	Solid state output, normally open	
Switch type	Reed switch	NPN Current sinking	PNP Current sinking
Voltage range	5~120V DC/AC	5~30V DC	
Current range	100mA max.	200mA max.	
Switching rating(※1)	10W max.	3W max.	
Current consumption	—	OFF:7mA(24V) ON:17mA(24V) max.	
Voltage drop	2.5V max.	1.5V@100mA max.	
Indicator	Red LED		Yellow LED
Lead wire	φ 3, 2C, PVC	φ 3, 3C, PVC	
Temperature	- 10°C ~ + 70°C (No freezing)		
Enclosure classification	IEC 60529 IP67		
Protection circuit(※2)	1	3, 4	
Symbol			

Order example



Dimension

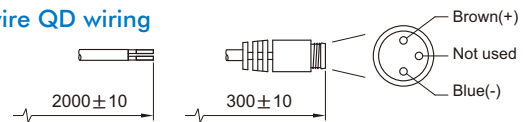


Assembling style

Cylinder type	MTA*				
Order	LN40R				
Tube I.D.	25	32	40	50	63
Mounting clamp					

Wiring of the QD

● 2 wire QD wiring



● 3 wire QD wiring

