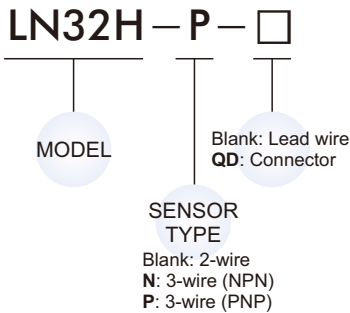
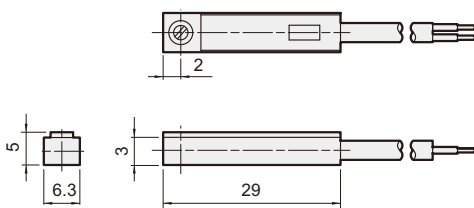




### Order example



### Dimension



### Specification

Model	LN32H	LN32H-N	LN32H-P
Wiring method	2 Wire	3 Wire	
Switching logic	Normally open	Solid state output, normally open	
Switch type	Reed switch	NPN Current sinking	PNP Current sinking
Operating voltage	5~240V DC/AC	10~30V DC	
Switching current	100mA max.	200mA max.	
Switching rating(※1)	10W max.	3W max.	
Current consumption	—	OFF:7mA(24V) ON:17mA(24V) max.	
Voltage drop	3.5V max.	2.0V max.	
Indicator	Red LED		Yellow LED
Cable	φ 3.3, 2C, PVC	φ 3.3, 3C, PVC	
Temperature	- 10°C~+70°C (No freezing)		
Enclosure classification	IEC 60529 IP67		
Protection circuit(※2)	1	3, 4	
Symbol			

※1. Warning: Never exceed rating (watt=voltage × amperage).

※2. 1=None / 2=Short-circuit / 3=Power source reverse polarity / 4=Surge suppression

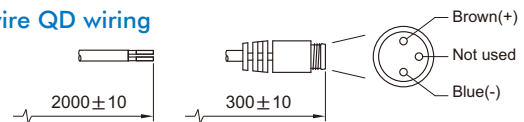
※3. Caution for safety please refer to page 8-8~9.

### Assembling style

Cylinder type	MHCB-M				
Order	LN32H				
Tube I.D.	32	40	50	63	80
Mounting clamp					

### Wiring of the QD

#### ● 2 wire QD wiring



#### ● 3 wire QD wiring

