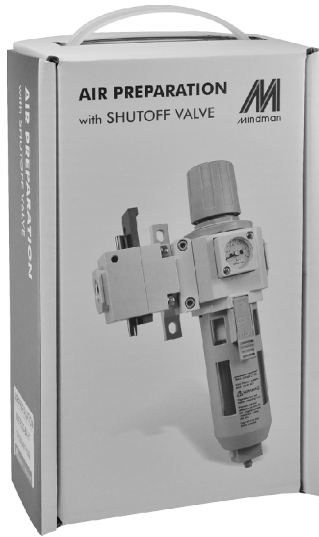


MAFR302-HT With shutoff valve

AIR UNITS (F.R.UNIT)



Order example

MAFR302 – 8A – D – E1 – □ – HT – □

MODEL

BORE SIZE

8A: 1/4
10A: 3/8
15A: 1/2

Blank: Standard type
C: External pressure gauge (PG-40)
D: Auto drain valve (FMRF300)
N: Nylon bowl

PRESSURE SWITCH

E1: MP41P-02
E2: MP41P-02-QD
E3: MP41P-02-J
E4: MP41P-02-QD-J
E5: MP41P-04
E6: MP41P-04-QD
E7: MP41P-04-J
E8: MP41P-04-QD-J

※ Refer to page E-13 for the option of digital pressure switch MP41.

FILTER ELEMENT

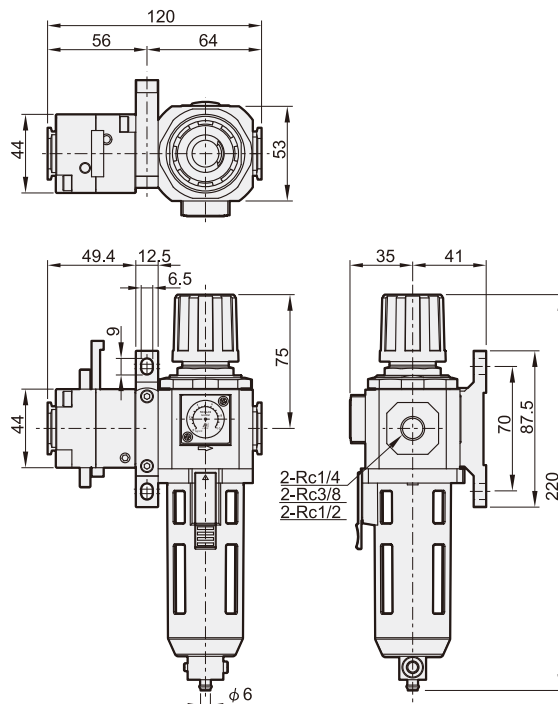
Blank: 5 μm
40u: 40 μm

SHUTOFF VALVE

HT: MVHT-302-3H

PORT THREAD

Blank: Rc thread
G: G thread
NPT: NPT thread



AIR UNIT



D-40

Mindman