

MVSC/D-180 series

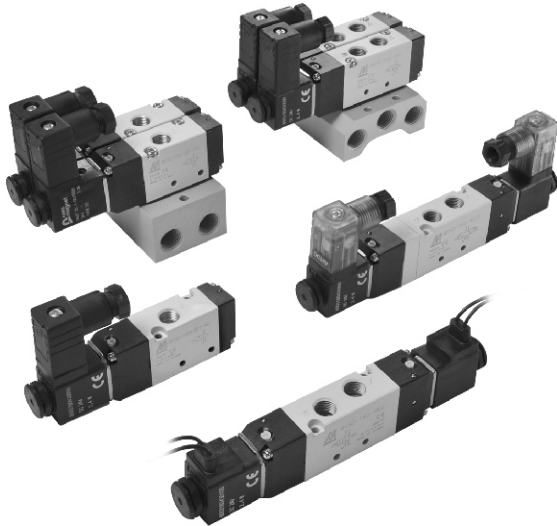
SOLENOID VALVE



mindman

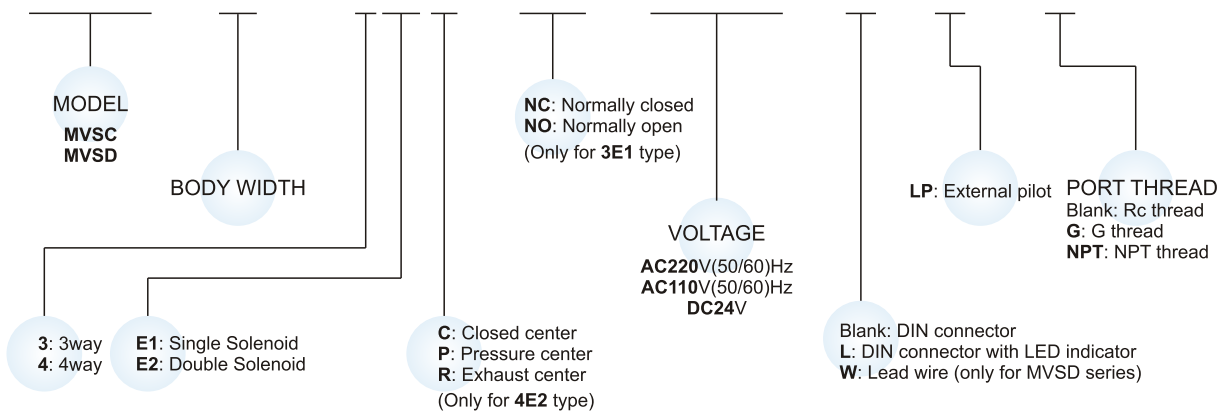
Specification

Model	3E1	3E2	4E1	4E2	4E2C.P.R
Bore No.	6A				
Port size	Rc1/8				
No. of port	3		5		
No. of position	2			3	
Medium	Air				
Operating pressure range	0.15~0.8 MPa			0.2~0.7 MPa	
Operating pressure (LP)	0~0.8 MPa			0~0.7 MPa	
External pilot pressure (LP)	0.15~0.8 MPa			0.2~0.7 MPa	
Proof pressure	1 MPa				
Effective orifice	12 mm ²			9 mm ²	
Response time	30 ms				
Ambient temperature	-5~+50°C (No freezing)				
Voltage	AC110V, 220V (50/60)Hz, DC24V				
Power consumption	AC=3.7/ 3.1VA, DC=3W				
Available voltage range	±10%				
Insulation class	F class				
Weight	120 g	172 g	124 g	176 g	190 g



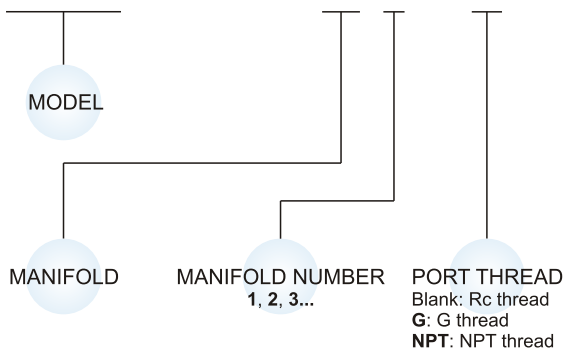
Order example of valve

MVSC – 180 – 4E2C – NC – AC110 – L – LP – G



Order example of manifold

MVSC – 180 – 3B3 – G



MVSA – 180 – 5B3 – G

